

4

3

2

1

REV	ECO	REV BY	DATE	APPD	DATE
C	0025526	J.M.RAMIREZ	04-23-2012	R.RASCON	04-23-2012

GENERAL INFORMATION:

SHAFT RUNOUT: .001 [.03] T.I.R. PER INCH LENGTH OF EXTENSION

BEARINGS: BALL

MOUNTING POSITION: ALL ANGLE

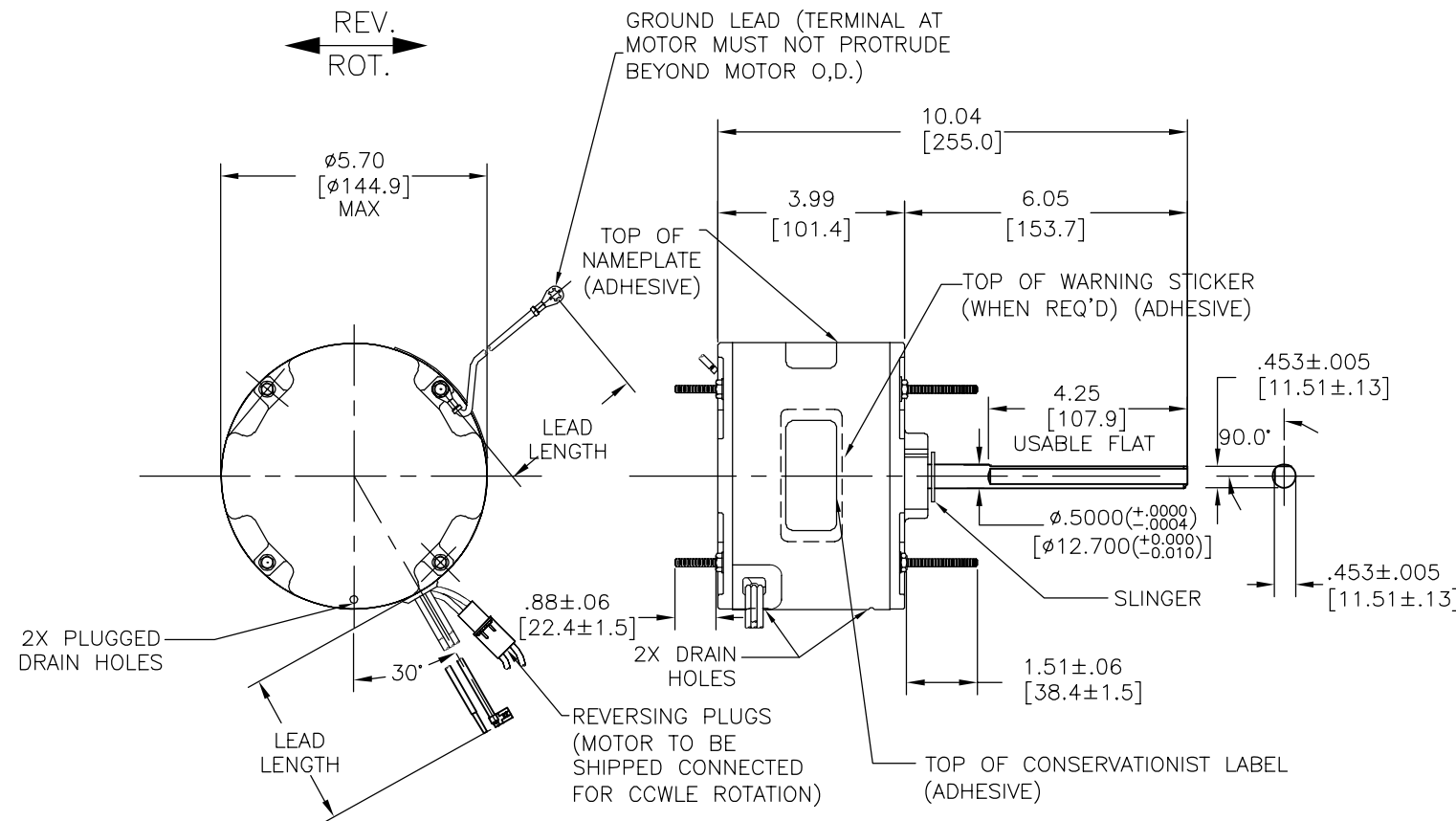
ELECTRICAL DATA:

OVERLOAD PROTECTOR: AUTOMATIC RESET (T.I. 7AM 036)

LEADS: NO. 18 GA., .06 [1.5] THK. PVC 105°C INSUL.

REVERSING LEADS: NO. 18 GA., .03 [.8] THK., 125°C INSUL.

GROUND LEAD: NO. 18 GA., .03 [.8] THK. (GRN/YEL) INSUL.



GREEN/YELLOW (GROUND)	11.0/13.0 [279/330]	#10 EYELET
BLACK/WHITE	5.0/7.0 [127/178]	REVERSING PLUG(MALE)
BLACK/WHITE	5.0/7.0 [127/178]	REVERSING PLUG(FEMALE)
BRN/WHT	25.0/27.0 [635/686]	.25[6.4] FEMALE SPADE
BROWN	25.0/27.0 [635/686]	.25[6.4] FEMALE SPADE
WHITE	25.0/27.0 [635/686]	.50[12.7] LEAD STRIP
BLACK	25.0/27.0 [635/686]	.50[12.7] LEAD STRIP
RED	25.0/27.0 [635/686]	.50[12.7] LEAD STRIP
COLOR	LENGTH	TERMINAL OR STRIP LENGTH

NOTE:
(1)615059-001 RESILIENT MOUNTING KIT TO BE PACKED WITH EACH MOTOR.

MAIN FRAME - OLE	ENCLOSED
END FRAME - OLE	ENCLOSED (WITH PLUGS)
MAIN FRAME - LE	ENCLOSED (WITH PLUGS)
END FRAME - LE	ENCLOSED

CUSTOMER	DISTRIBUTION SERVICE
----------	----------------------

NAMEPLATE DATA:	EXTERNAL CONNECTION DIAGRAM
MODEL NO.: F48Z90A01 CUST. P/N: 554A HP: 1/6,1/10 ROT.: REVERSIBLE RPM: 1075 TYPE: UF FRAME: 48Y VOLTS: 208-230 PH: 1 AMPS: 0.92,0.42 HZ: 60 INS.: B AMB.: 60°C DUTY: AIR OVER CAP.: 5 MFD/370V ENCL: ENCLOSED UL LOGO CSA LOGO THERMALLY PROTECTED	

PERFORMANCE CURVE NO.	TORQUE @ 1075 RPM (25°C)	APPROVED SAMPLE	UL COMPONENT FILE #	CCN #	CSA FILE #	CLASS #
C32748	14.62 OZ. FT.	0604343C	E46412	PRGY2	LR43341	4211-01

GEOMETRIC CHARACTERISTICS & SYMBOLS
 □ FLATNESS
 — STRAIGHTNESS
 ∠ ANGULARITY
 ⊥ PERPENDICULARITY (SQUARENESS)
 ∥ PARALLELISM
 ○ ROUNDNESS (CIRCULARITY)
 ∅ CYLINDRICITY
 △ PROFILE OF ANY SURFACE
 ∩ PROFILE OF ANY LINE
 ↗ RUNOUT
 ⊕ TRUE POSITION
 ⊙ CONCENTRICITY
 = SYMMETRY
 ASME Y14.5M 1994

REGAL-BELOIT CORPORATION (RBC) PROVIDES TECHNICAL ASSISTANCE TO OUR CUSTOMERS IN SEVERAL AREAS. SINCE RBC DOES NOT RECEIVE ALL DATA CONCERNING THE USE AND APPLICATION OF THE MOTOR, THE SUITABILITY OF THE MOTOR FOR THE APPLICATION MUST BE DETERMINED BY THE CUSTOMER.
 DIMENSIONS WITHOUT TOLERANCES ARE FOR REFERENCE ONLY.

DR BY: AMY 08-08-2007
 APPD: .
 THIRD ANGLE PROJECTION
 EDS DATE 11-11-2011
 FORMAT REV G
 CONFIDENTIAL: THIS DRAWING AND ITS INFORMATION ARE THE EXCLUSIVE AND CONFIDENTIAL PROPERTY OF REGAL-BELOIT CORPORATION AND ARE NOT TO BE DISCLOSED, DUPLICATED, DISTRIBUTED OR OTHERWISE USED WITHOUT THE WRITTEN CONSENT OF REGAL-BELOIT CORPORATION. -ALL RIGHTS RESERVED.

DESCRIPTION	
MODEL-RFHP-48FR OUTLINE	
SIZE C	DWG NO F48Z90A01
SCALE NONE	SHEET 1

4

3

2

1

4

3

2

1

版本	ECO	编制	日期	批准	日期
C	0025526	J.M.RAMIREZ	04-23-2012	R.RASCON	04-23-2012

总要求:

轴跳动: .001/1 [.03/25.4] (外伸轴)

端部窜动量: .010 - .063 [.25 - 1.60]

轴承: 含油轴承

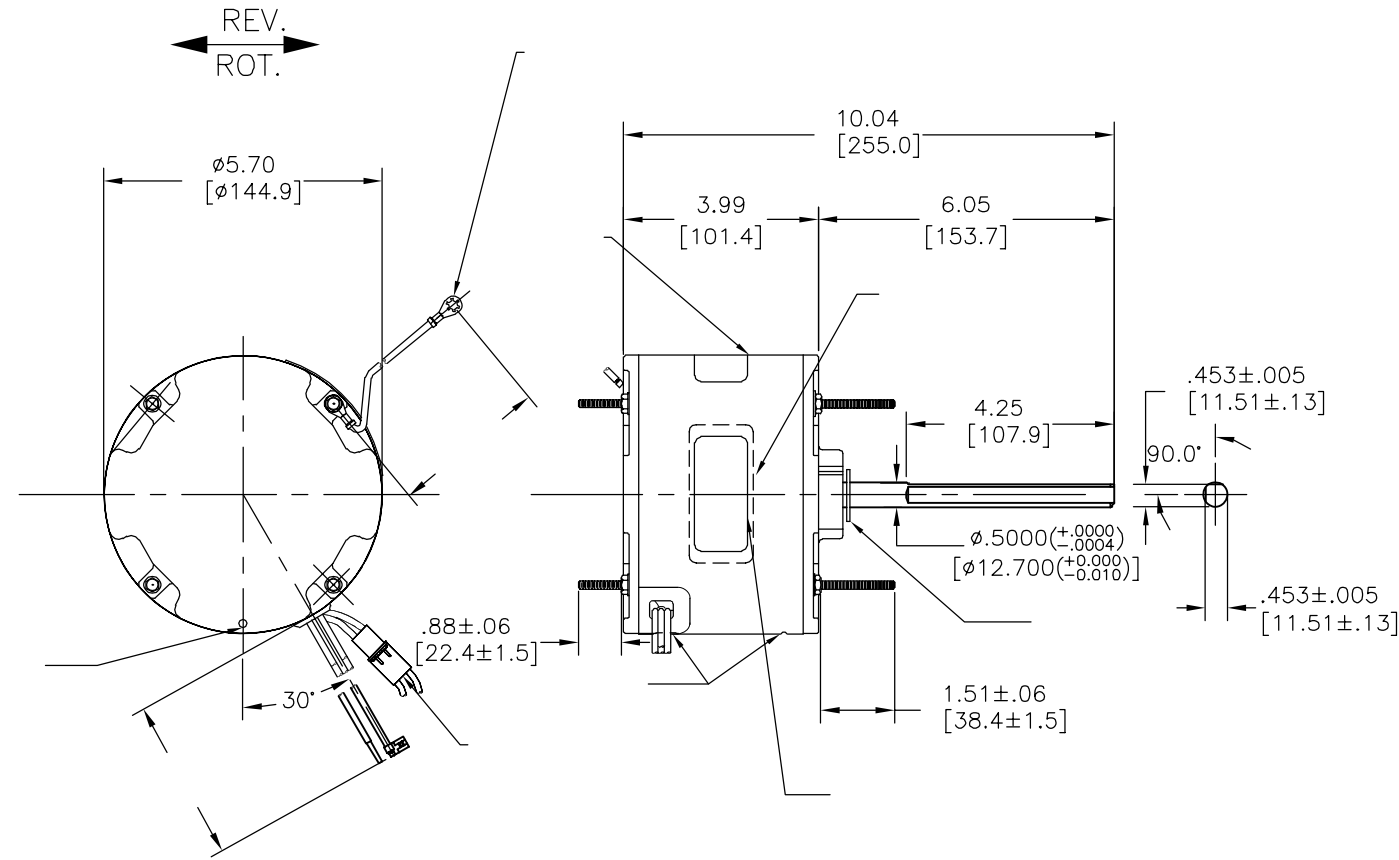
安装位置: 水平

电气数据:

过载保护: 自动复位 (T. I. 7AM 036)

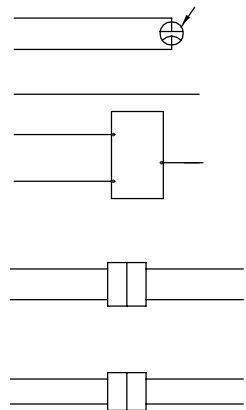
引线: 18GA, 厚.06[1.5] PVC 105°C 绝缘

接地线: 18GA, 厚.03[0.8] 绿色绝缘



铭牌数据 外部连接详图

MODEL NO.: F48Z90A01
 CUST. P/N: 554A
 HP: 1/6,1/10
 ROT.: REVERSIBLE
 RPM: 1075
 TYPE: UF
 FRAME: 48Y
 VOLTS: 208-230
 PH: 1
 AMPS: 0.92,0.42
 HZ: 60
 INS.: B
 AMB.: 60°C
 DUTY: AIR OVER
 CAP.: 5 MFD/370V
 ENCL: ENCLOSED
 UL LOGO
 CSA LOGO
 THERMALLY PROTECTED



614131-308

性能曲线编号	转矩在---RPM (25° C)	批准样品	UL部件		CSA	
			文件号	指南	文件号	指南
C32748	14.62 OZ. FT.	0604343C	E46412	PRGY2	LR43341	4211-01

颜色	长度	端子或剥线长度

非引线端机壳	
非引线端端盖	
引线端机壳	
引线端端盖	

用户	DISTRIBUTION SERVICE
----	----------------------

- 形位公差
- 平面度
- 直线度
- ∠ 倾斜度
- ⊥ 垂直度
- // 平行度
- 圆度
- ⊘ 圆柱度
- △ 面轮廓度
- ∩ 线轮廓度
- ↗ 圆跳动
- ⊕ 位置度
- ⊙ 同轴度
- ≡ 对称度

ASME Y14.5M 1994

REGAL-BELOIT CORPORATION (RBC) 在个别领域为客户提供技术支持。鉴于RBC未收到任何涉及电机使用和应用环境的数据，电机的适用性由客户自己决定。

未注公差尺寸仅供参考。

绘图: AMY 08-08-2007

批准: .

第三角投影

机密: 本图纸及相关信息所有权归REGAL-BELOIT CORPORATION。未经REGAL-BELOIT CORPORATION书面授权, 不得泄露、复制、传播或作其他用途。—版权所有

名称: MODEL-RFHP-48FR OUTLINE

图幅: C 图号: F48Z90A01

比例: NONE 页号: 1

4

3

2

1