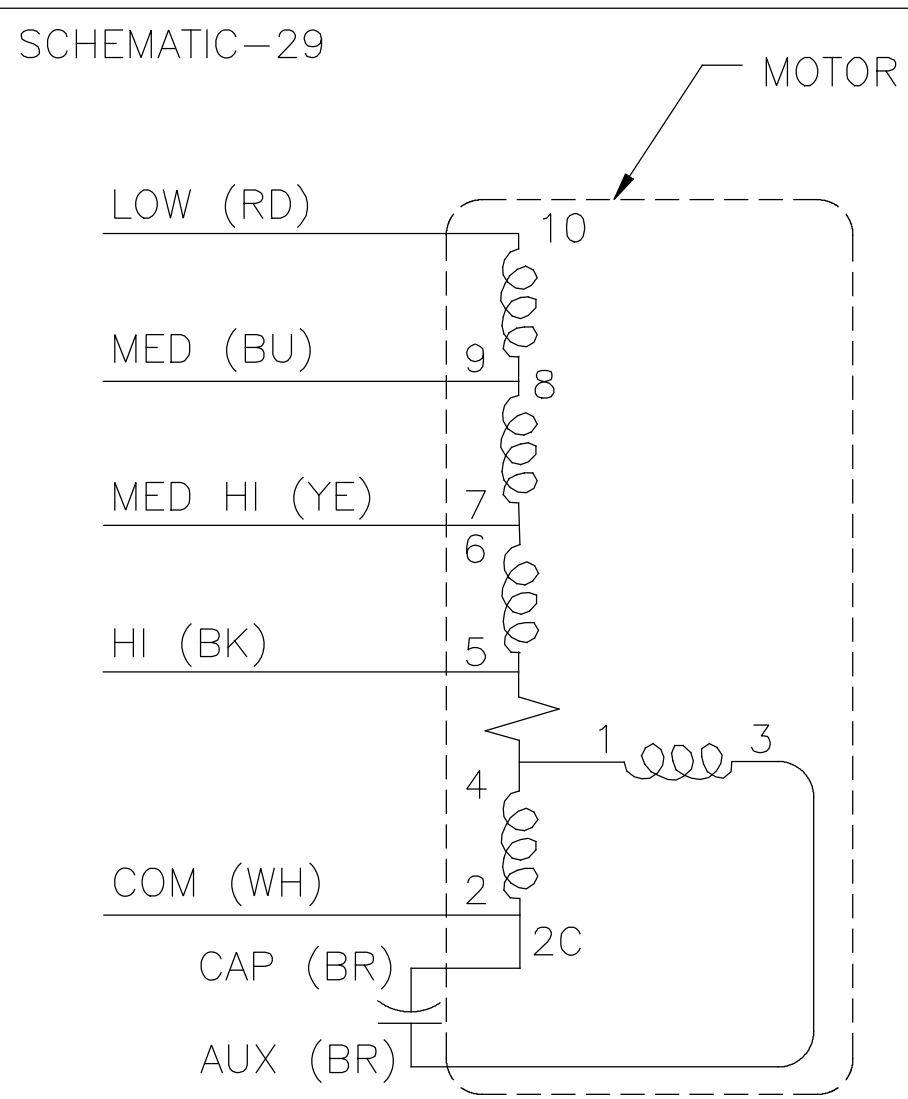
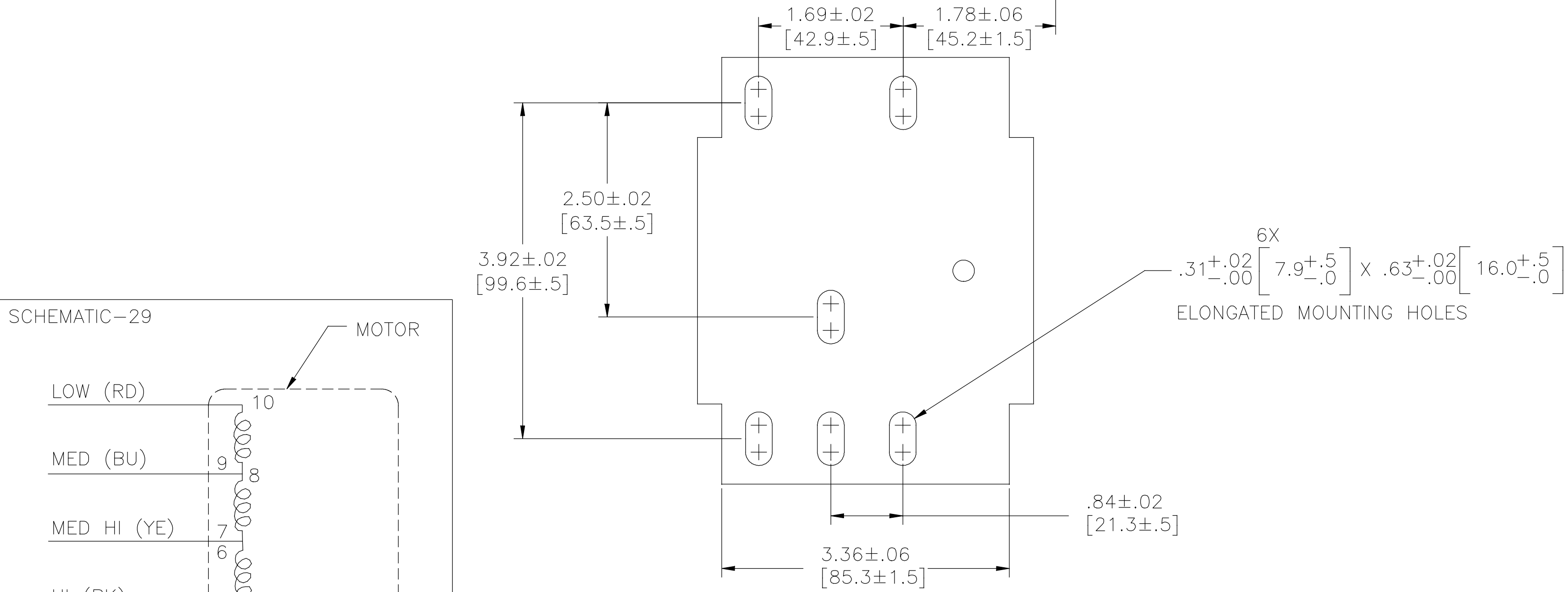
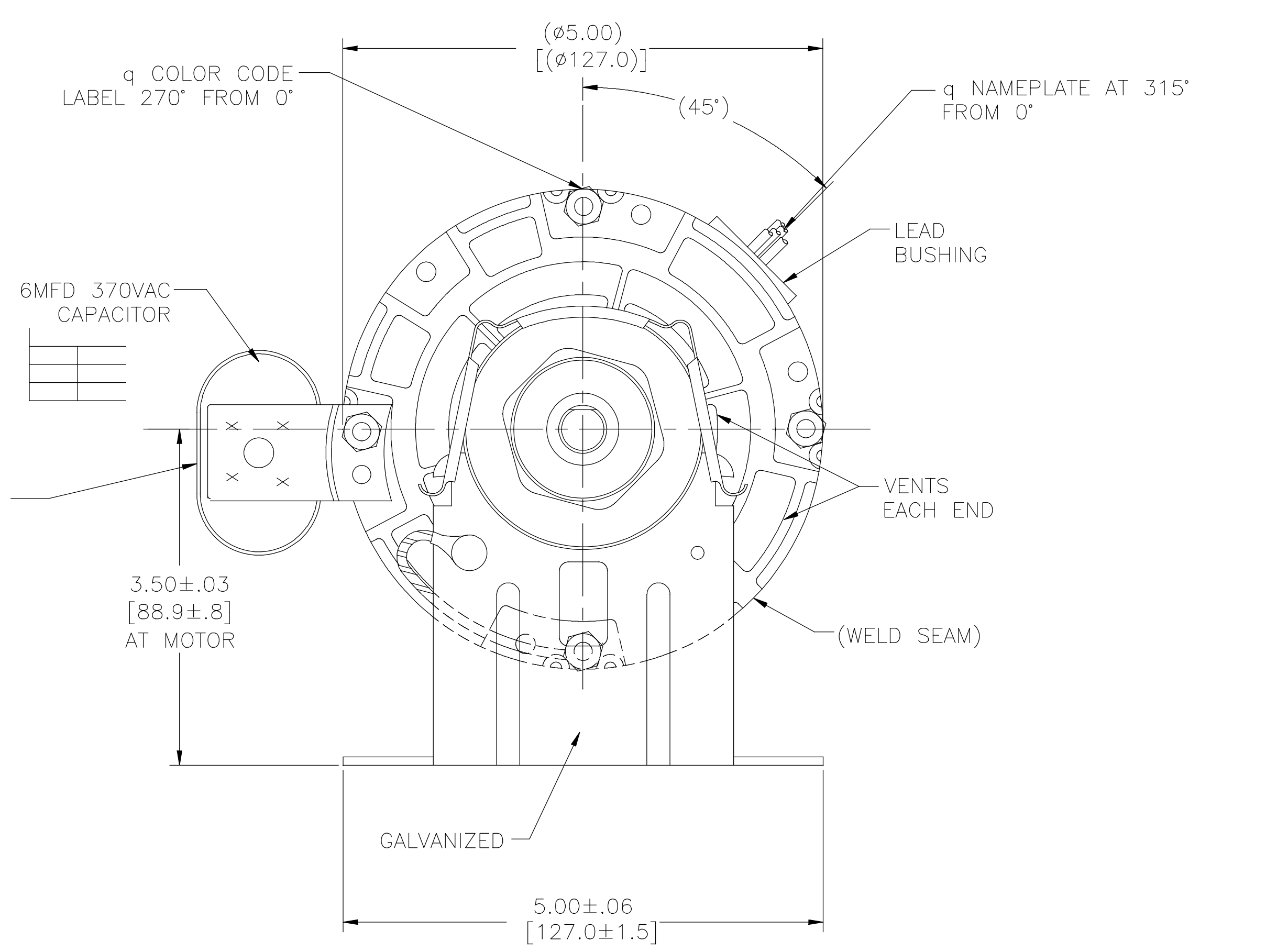
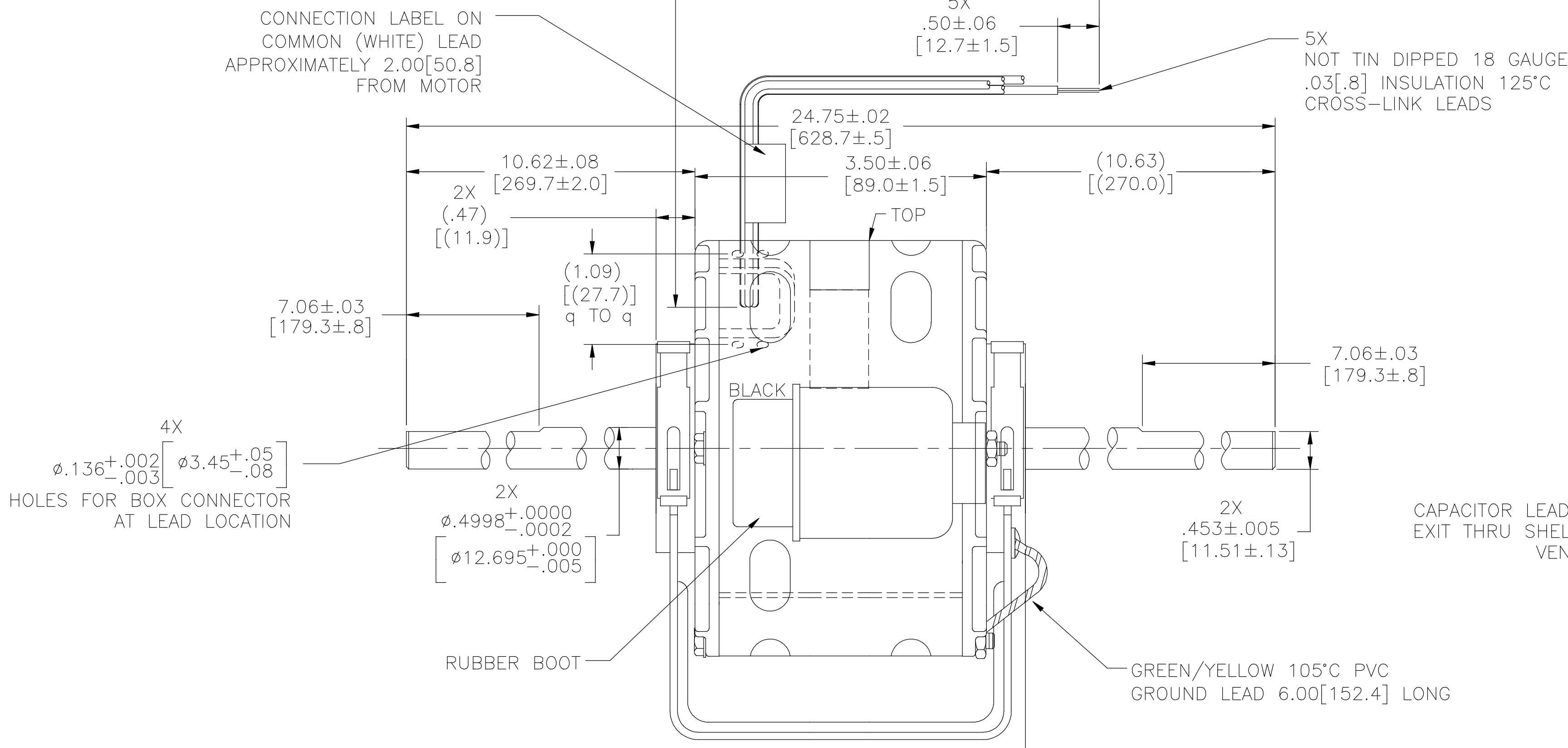


CUSTOMER IS SOLELY RESPONSIBLE FOR MOTOR PERFORMANCE AND SUITABILITY IN APPLICATIONS FOR CUSTOMER'S USES.

ENDPLAY .005[.13] MINIMUM .040[1.02] MAXIMUM.
MAXIMUM SHAFT RUNOUT .001[.03] PER INCH
MAXIMUM RUN OUT NOT TO EXCEED .010[.25]



CONNECTION LABEL 63T7433-265

63T7452-17
BK-HI .78A 1/20H
YE-MED HI .55A 1/30HP
BU-MED .36A 1/50HP
RD-LO .27A 1/75HP
WH-COM

ROT: CWLE

NAMEPLATE DATA:

Century Tipp City, OH **SP** **AL**
THERMALLY PROTECTED

SER. DATE, & PO# PLT LTR MOD DE3E147N STK NO. 546
VOLTS 115 HZ 60 AMPS .78
RPM 1075 SP PH1 CAP 6MFD 370VAC
INS CL AMB °C HP CONT A.O. → ROTATION →
BRG SLV ASSEMBLED IN MEXICO

ELECTRICALLY PER SAMPLE S-9360D-1

DRAWING REVISION	REVISION BY	DATE	TOLERANCES UNLESS OTHERWISE SPECIFIED	DRAWN BY:	TLB
J	J.H.ESS	06-01-2018	DEC. INCH mm ANGLE	DATE:	12-08-2000
ECCO-0144229	J.H.ESS	06-01-2018	X ±0.1 [±2.5] ±0.5°	APPROVED BY:	
ECCO DESCRIPTION			XX ±0.02 [±0.51]	DTS:	
UPDATED TITLE BLOCK			XXX ±0.005 [±0.127]	DATE:	
			XXXX ±0.0005 [±0.0127]	REFERENCE	
			REMOVE BURRS & BREAK SHARP EDGES .003/.015 [0.076/.381] X 45°	MATERIAL	
			CORNER FILLETS R.02 [L51]	PROCESS/FINISH	
			MACHINED SURFACES: INCH/mm 32	SIZE [DWG NO]	DE3E7147
			THIRD ANGLE PROJECTION	SHEET	1