

4

3

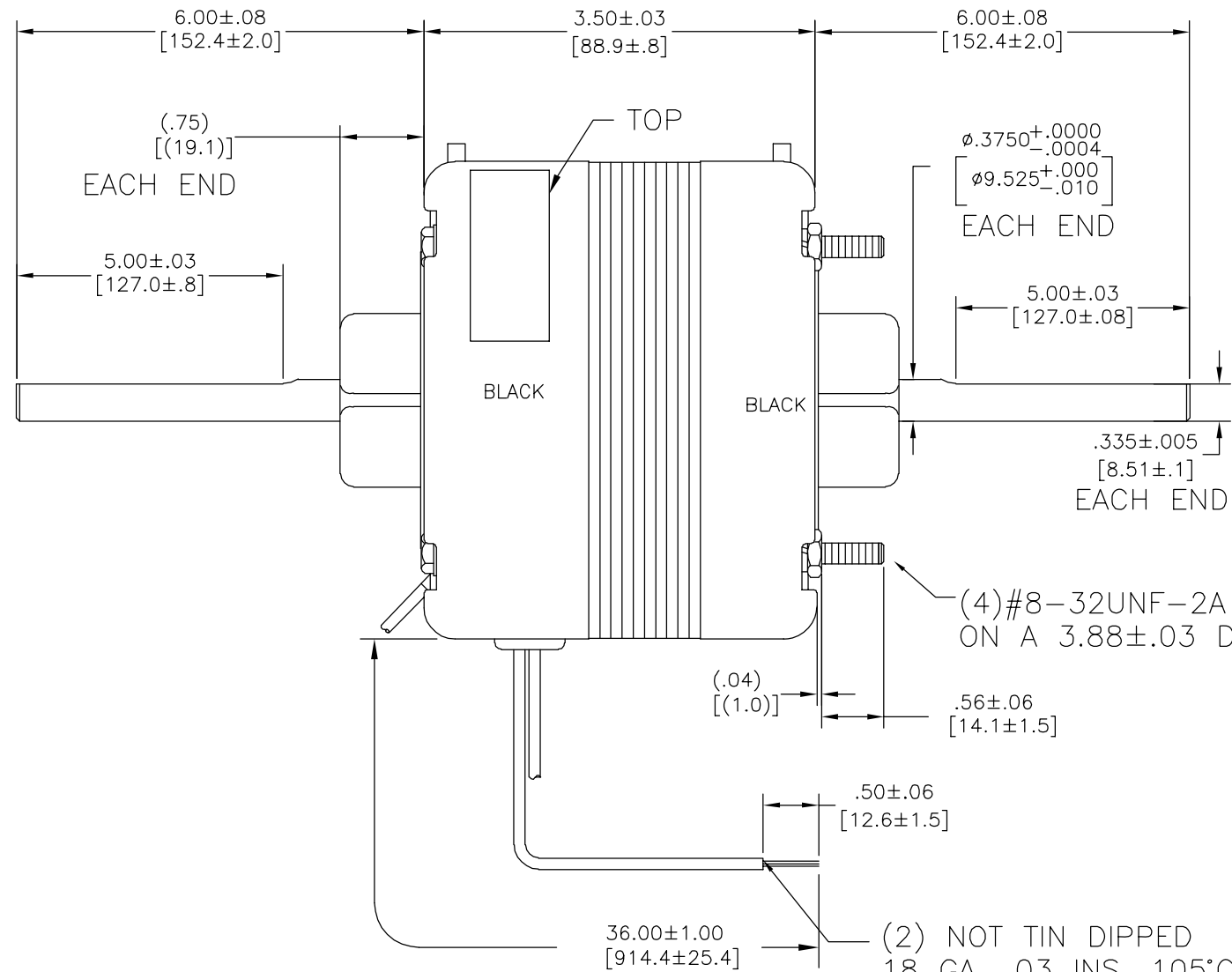
2

1

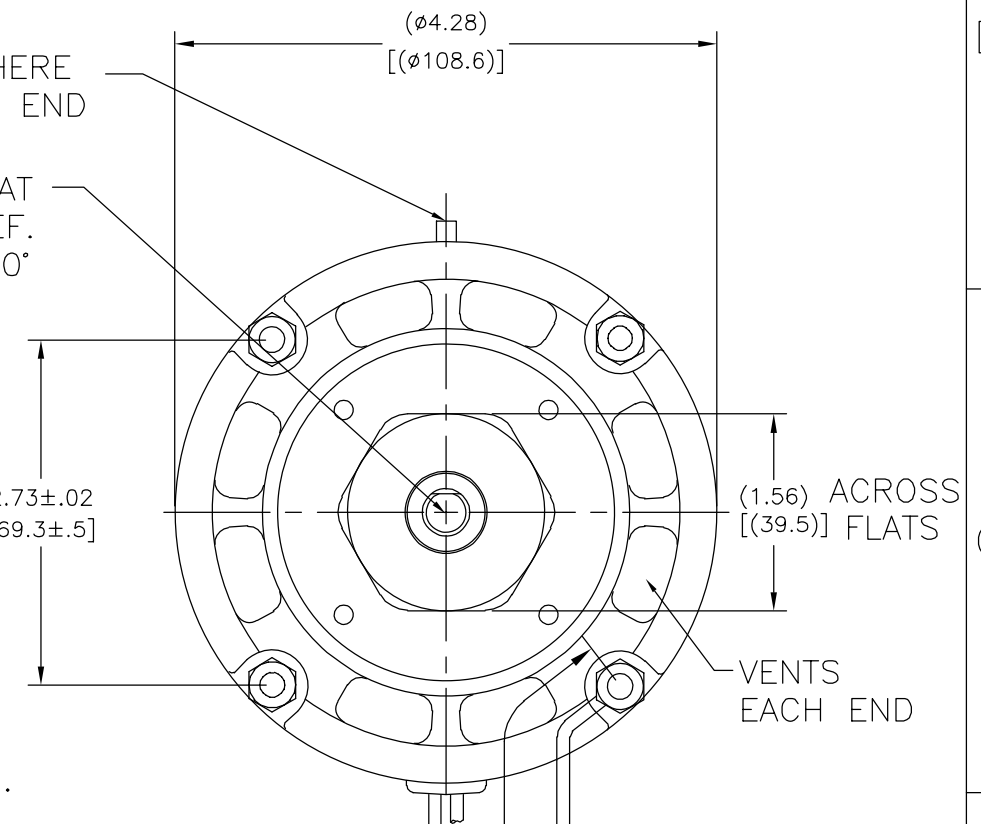
CUSTOMER IS SOLELY RESPONSIBLE FOR MOTOR PERFORMANCE AND SUITABILITY IN APPLICATIONS FOR CUSTOMER'S USES

REV	ECO	REV BY	DATE	APPD	DATE
BL	0027378	H.REN	07-13-2012	B.SHEN	07-13-2012

END PLAY .04[1.0] MAXIMUM



OIL HERE EACH END  
 NP AT 45° REF. FROM 0°



(4)#8-32UNF-2A ON A 3.88±.03 DIA. B.C.

(2) NOT TIN DIPPED 18 GA. .03 INS. 105°C PVC LEADS

(1) AMP TERM #350436-2 FOR #10 SCREW ON GREEN GROUND 18 GA. .03 INS. 105°C PVC ON L.E.

ELECTRICALLY PER SAMPLE S-2984D

NAMEPLATE DATA:



THERMALLY PROTECTED

Tipp City, OH



SER. DATE PLT MOD CA2G171N# STOCK NO 52  
 115V 60HZ 2.2A 1550RPM 1/15HP CONT AO 1PH  
 ← ROTATION → ASSEMBLED IN MEXICO

CCWLE

GEOMETRIC CHARACTERISTICS & SYMBOLS	
▭	FLATNESS
-	STRAIGHTNESS
∠	ANGULARITY
⊥	PERPENDICULARITY (SQUARENESS)
//	PARALLELISM
○	ROUNDNESS (CIRCULARITY)
⊘	CYLINDRICITY
△	PROFILE OF ANY SURFACE
∧	PROFILE OF ANY LINE
↗	RUNOUT
⊕	TRUE POSITION
◎	CONCENTRICITY
≡	SYMMETRY

UNLESS OTHERWISE SPECIFIED DIM. TOLERANCES ARE AS FOLLOWS:  
 INCH X XX XXX XXXX  
 ±.1 ±.02 ±.005 ±.0005  
 mm ±0.5 ±0.13 ±0.013  
 ANG. ±.50 DEG  
 REMOVE BURRS & BREAK SHARP EDGES:  
 INCH .003-.015 mm 0.1-0.4  
 CORNER FILLETS TO:  
 INCH .020 mm 0.5  
 MACHINE SURFACES:  
 INCH 125 mm 3.2  
 METRIC DIMS. SHOWN IN [BRACKETS]

DR BY:  
 APPD:  
 THIRD ANGLE PROJECTION  
 EDS DATE 11-11-2011  
 FORMAT REV H  
 CONFIDENTIAL: THIS DRAWING AND ITS INFORMATION ARE THE EXCLUSIVE AND CONFIDENTIAL PROPERTY OF REGAL-BELOIT CORPORATION AND ARE NOT TO BE DISCLOSED, DUPLICATED, DISTRIBUTED OR OTHERWISE USED WITHOUT THE WRITTEN CONSENT OF REGAL-BELOIT CORPORATION. -ALL RIGHTS RESERVED.

<b>REGAL</b> REGAL-BELOIT CORPORATION	
DESCRIPTION	OUTLINE
SIZE C	DWG NO CA2G171
SCALE NONE	SHEET 1

4

3

2

1

4

3

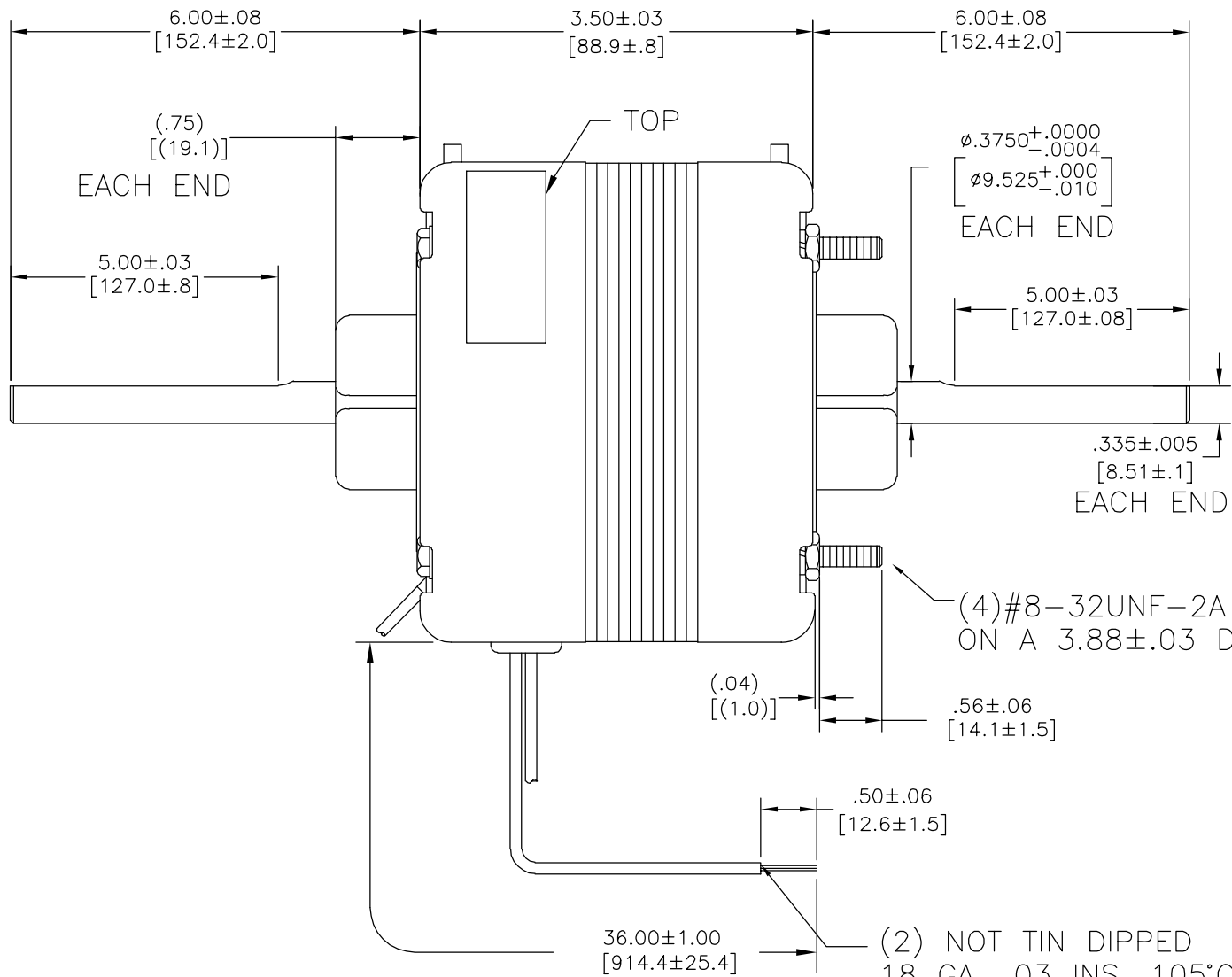
2

1

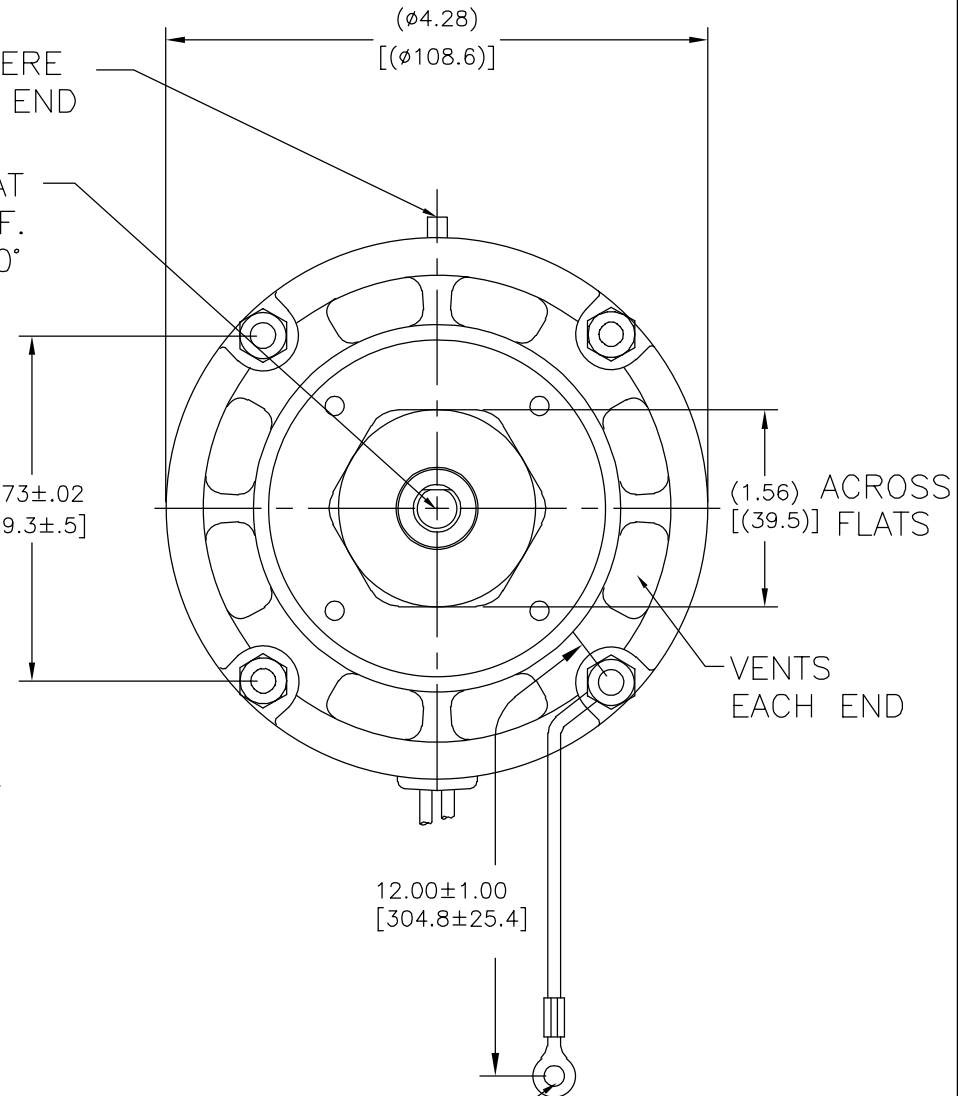
CUSTOMER IS SOLELY RESPONSIBLE FOR MOTOR PERFORMANCE AND SUITABILITY IN APPLICATIONS FOR CUSTOMER'S USES

REVISION:	ECO	REVISADO POR:	FECHA:	APROBADO POR:	FECHA:
BL	0027378	H.REN	07-13-2012	B.SHEN	07-13-2012

END PLAY .04[1.0] MAXIMUM



OIL HERE EACH END  
 NP AT 45° REF. FROM 0°



NAMEPLATE DATA:



THERMALLY PROTECTED

Tipp City, OH



SER. DATE PLT MOD CA2G171N# STOCK NO 52  
 115V 60HZ 2.2A 1550RPM 1/15HP CONT AO 1PH  
 ←ROTATION→ ASSEMBLED IN MEXICO

(1) AMP TERM #350436-2 FOR #10 SCREW ON GREEN GROUND 18 GA. .03 INS. 105°C PVC ON L.E.

ELECTRICALLY PER SAMPLE S-2984D

CCWLE

CARACTERISTICAS DE GEOMETRIA Y SIMBOLOS	
□	PLANICIDAD
-	RECTITUD
∠	ANGULARIDAD
⊥	PERPENDICULARIDAD (A ESCUADRA)
//	PARALELISMO
○	REDONDEZ (CIRCULARIDAD)
⊘	CILINDRICIDAD
△	PERFIL DE CUALQUIER SUPERFICIE
∧	PERFIL DE CUALQUIER LINEA
∇	VARIACION
⊕	POSICION REAL
⊙	CONCENTRICIDAD
≡	SIMETRIA

A MENOS QUE SE ESPECIFIQUE DE OTRA MANERA, LAS TOLERANCIAS DE LAS DIMS; SON LAS SIGUIENTES:	
PULG	±.1 ±.02 ±.005 ±.0005
mm	±0.5 ±0.13 ±0.013
ANG. ± 50 GRADOS	
ELIMINAR REBABAS Y ORILLAS FILOSAS DEL BORDE.	
PULG	.003-.015 mm 0.1-0.4
FILETEAR ESQUINA: PULG .020 mm 0.5	
MAQUINAR SUPERFICIES	
PULG	125 mm 3.2
DIMS METRICAS MOSTRADAS [PARENTESIS]	

DIBUJADO POR:	
APROBADO POR:	
TERCER ANGULO DE PROYECCION	FECHA EDS: 11-11-2011
	REV. FORMATO: H
CONFIDENCIAL: ESTE DIBUJO Y SU INFORMACION SON PROPIEDAD DE USO EXCLUSIVO Y CONFIDENCIAL DE REGAL-BELOIT CORPORATION. Y NO DEBERAN SER REVELADOS, DUPLICADOS, DISTRIBUIDOS O USARSE DE OTRA MANERA SIN EL CONSENTIMIENTO ESCRITO DE REGAL-BELOIT CORPORATION. -TODOS LOS DERECHOS RESERVADOS.	

<b>REGAL</b> REGAL-BELOIT CORPORATION	
DESCRIPCION: OUTLINE	
TAMAÑO: C	NUMERO DE DIBUJO: CA2G171
ESCALA: NONE	HOJA: 1

4

3

2

1

4

3

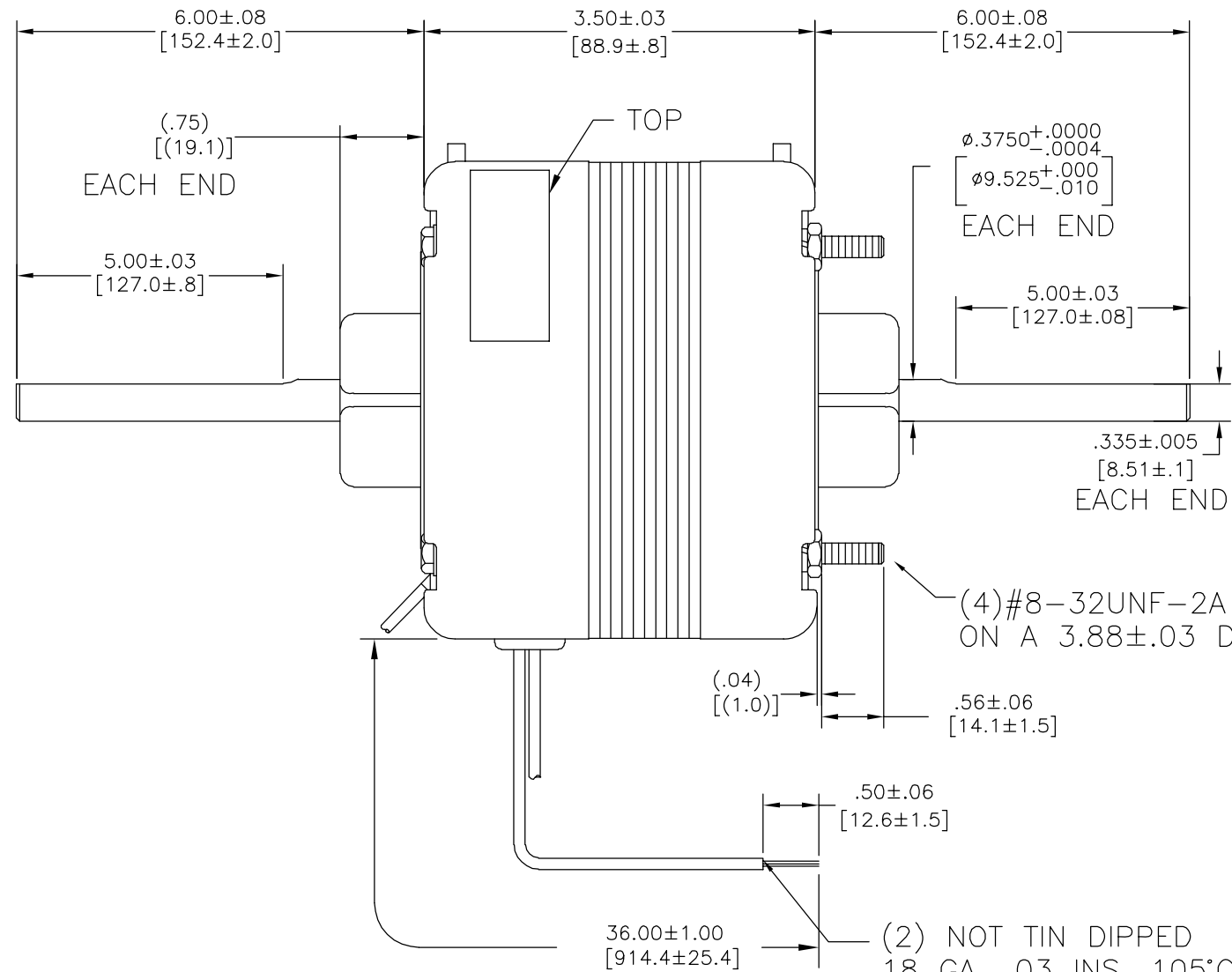
2

1

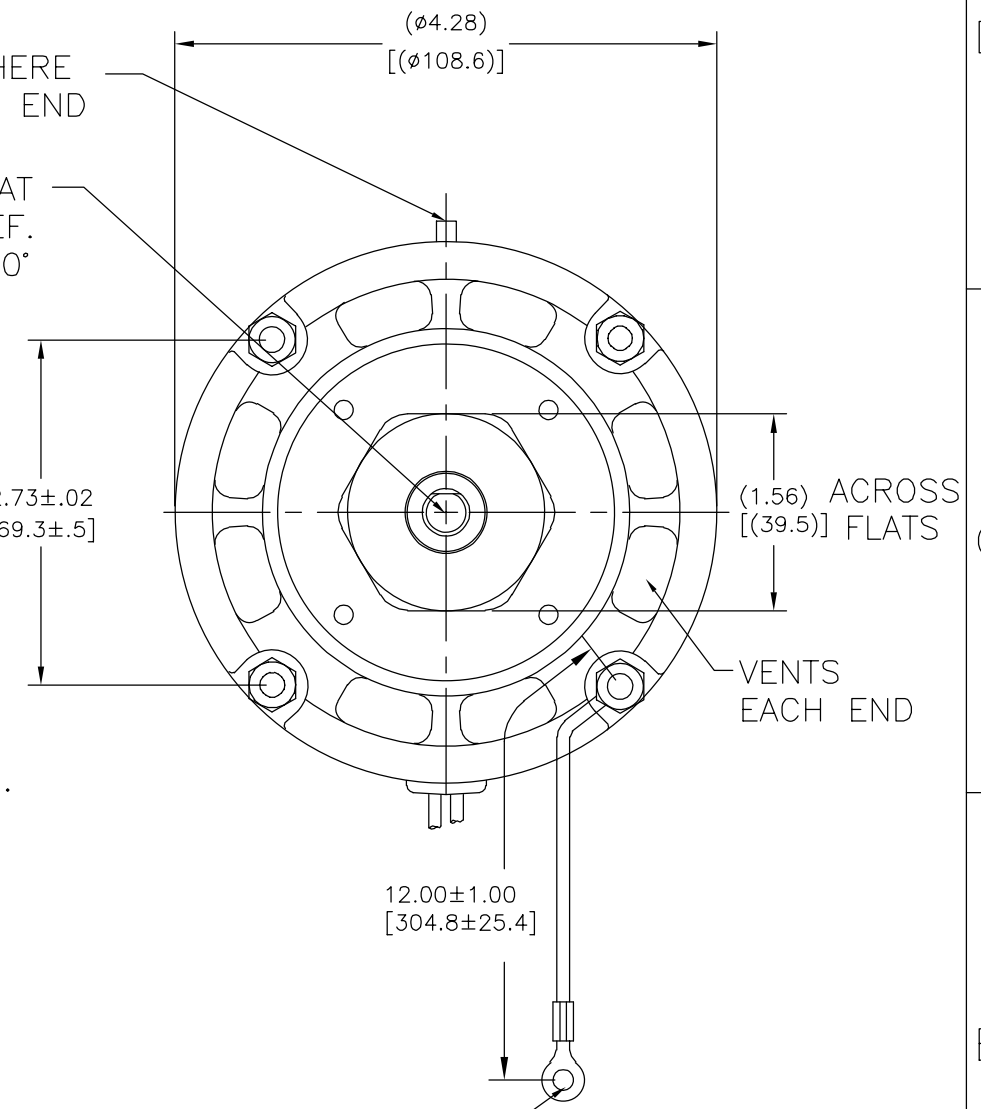
CUSTOMER IS SOLELY RESPONSIBLE FOR MOTOR PERFORMANCE AND SUITABILITY IN APPLICATIONS FOR CUSTOMER'S USES

版本	ECO	编制	日期	批准	日期
BL	0027378	H.REN	07-13-2012	B.SHEN	07-13-2012

END PLAY .04[1.0] MAXIMUM



OIL HERE EACH END  
 NP AT 45° REF. FROM 0°



(4)#8-32UNF-2A ON A 3.88±.03 DIA. B.C.

(2) NOT TIN DIPPED 18 GA. .03 INS. 105°C PVC LEADS

(1) AMP TERM #350436-2 FOR #10 SCREW ON GREEN GROUND 18 GA. .03 INS. 105°C PVC ON L.E.

ELECTRICALLY PER SAMPLE S-2984D

NAMEPLATE DATA:



THERMALLY PROTECTED

Tipp City, OH



SER. DATE PLT MOD CA2G171N# STOCK NO 52  
 115V 60HZ 2.2A 1550RPM 1/15HP CONT AO 1PH  
 ← ROTATION ← ASSEMBLED IN MEXICO

CCWLE

形位公差	除另有注明
□ 平面度	尺寸公差如下:
— 直线度	英寸 X XX XXX XXXX
∠ 倾斜度	英寸 ±.1 ±.02 ±.005 ±.0005
⊥ 垂直度	毫米 ±0.5 ±0.13 ±0.013
// 平行度	角度 ±.50 度
○ 圆度	清理毛刺和尖棱
⊘ 圆柱度	英寸 .003-.015 毫米 0.1-0.4
△ 面轮廓度	内圆角
∇ 线轮廓度	英寸 .020 毫米 0.5
∩ 圆跳动	表面粗糙度
⊕ 位置度	英制 125 米制 3.2
⊙ 同轴度	米制尺寸显示在 [ ]
≡ 对称度	

ASME Y14.5M 1994

除另有注明  
 尺寸公差如下:  
 英寸 X XX XXX XXXX  
 英寸 ±.1 ±.02 ±.005 ±.0005  
 毫米 ±0.5 ±0.13 ±0.013  
 角度 ±.50 度  
 清理毛刺和尖棱  
 英寸 .003-.015 毫米 0.1-0.4  
 内圆角  
 英寸 .020 毫米 0.5  
 表面粗糙度  
 英制 125 米制 3.2  
 米制尺寸显示在 [ ]

绘图:  
 批准:  
 第三角投影  
 图纸格式发布日期 11-11-2011  
 图纸格式版本 H  
 机密: 本图纸及相关信息所有权归REGAL-BELOIT CORPORATION  
 未经REGAL-BELOIT CORPORATION书面授权, 不得泄露、  
 复制、传播或作其他用途。—版权所有

<b>REGAL</b> REGAL-BELOIT CORPORATION	
名称	OUTLINE
图幅	C
图号	CA2G171
比例	NONE
页号	1

4

3

2

1