

REV	REFERENCE ECN	REFERENCE PROJECT	REV BY	DATE	APPD	DATE
B		03365601	Teresi	08-27-2007	CContr	09-04-2007

GENERAL INFORMATION:

SHAFT RUNOUT: .001[.03] T.I.R. PER INCH LENGTH OF EXTENSION.

END PLAY: .010[.25] TO .063[1.60]

BEARINGS: SLEEVE

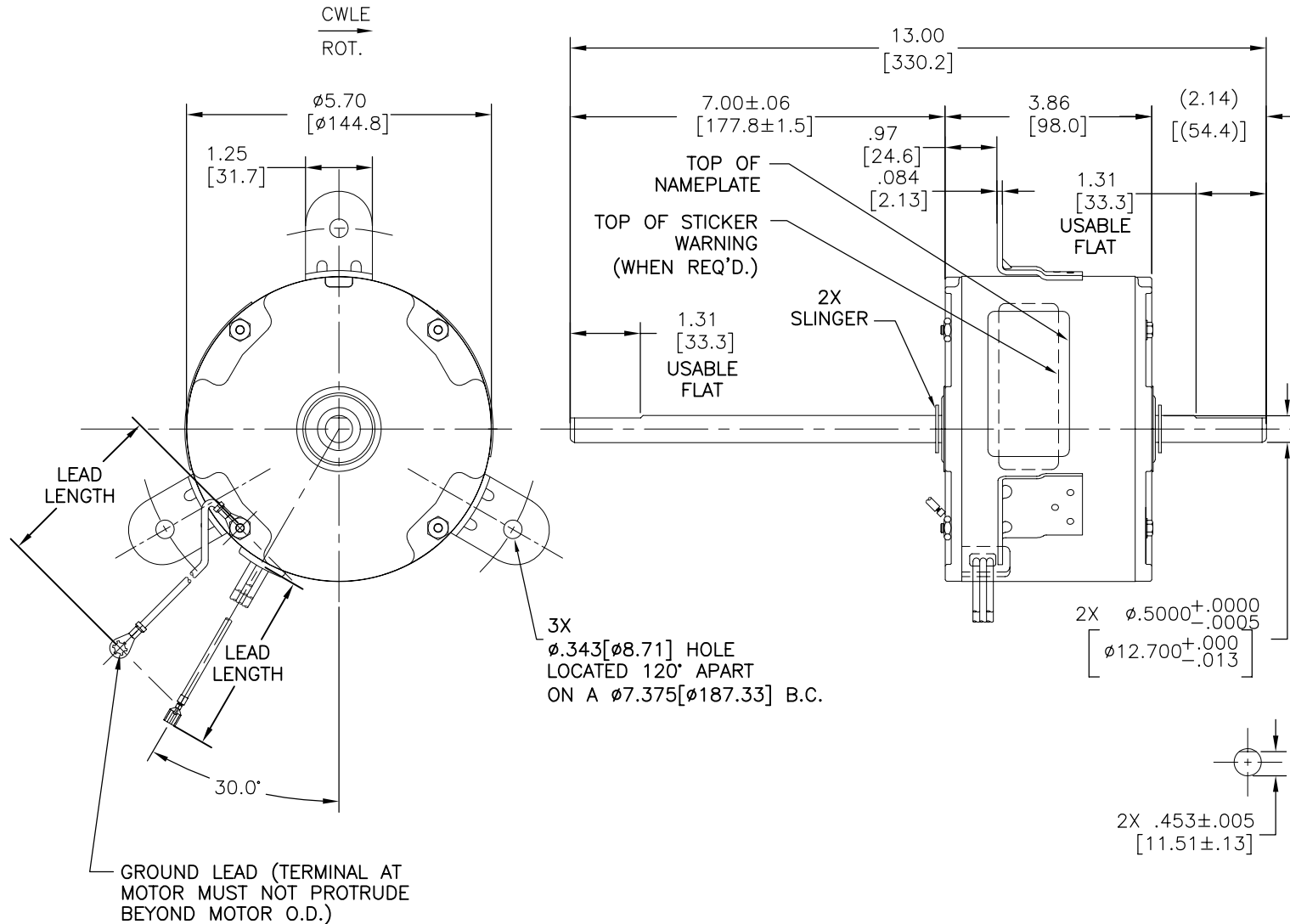
MOUNTING: HORIZONTAL  
POSITION:

ELECTRICAL DATA:

OVERLOAD PROTECTOR: AUTOMATIC RESET (T.I. 7AM 036)

LEADS: NO. 18 GA. , .06[1.5] THK. PVC 105°C INSUL.

GROUND LEAD: NO. 18 GA. , .03[.8] THK. ,(GREEN/YELLOW) INSUL.



NAMEPLATE DATA:	EXTERNAL CONNECTION DIAGRAM
MODEL: F48Z44A01 CUST. P/N: 513A HP: 1/6,1/8,1/10 ROT: CWLE RPM: 1040/ 3 SPD TYPE: UF FRAME: 48Y VOLTS: 208-230 PH: 1 AMPS: 1.3, 0.8, 0.6 HZ: 60 INS: B AMB: 60°C DUTY: AIR OVER CAP.: 3 MFD/370 V ENCL: ENCLOSED CSA LOGO UL LOGO THERMALLY PROTECTED	SEP. CAP. BROWN WHITE BLACK ●HI BLUE ●MED RED ●LO LINE
614131-015	

GRN/YEL(GRD)	5.5/6.5 [140/165]	#10 EYELET
BLACK	50.0/52.0 [1270/1321]	.25[6.4] FEMALE SPADE
BLUE	50.0/52.0 [1270/1321]	.25[6.4] FEMALE SPADE
RED	50.0/52.0 [1270/1321]	.25[6.4] FEMALE SPADE
BROWN	37.0/39.0 [940/991]	.25[6.4] FEMALE SPADE
WHITE	37.0/39.0 [940/991]	.25[6.4] FEMALE SPADE
COLOR	LENGTH	TERMINAL OR STRIP LENGTH

MAIN FR.-OLE	ENCLOSED
END FR.-OLE	ENCLOSED
MAIN FR.-LE	ENCLOSED
END FR.-LE	ENCLOSED

PERFORMANCE CURVE NO.	TORQUE @1040 RPM (25°C)	APPROVED SAMPLE	UL COMPONENT FILE#	CSA GUIDE#
C32715	16.4	0604303B	E46412	260-Ø-0

GEOMETRIC CHARACTERISTICS & SYMBOLS  
 ▽ FLATNESS  
 - STRAIGHTNESS  
 < ANGLARITY  
 ⊥ PERPENDICULARITY (SQUARENESS)  
 // PARALLELISM  
 ○ ROUNDNESS (CIRCULARITY)  
 ∅ CYLINDRICITY  
 △ PROFILE OF ANY SURFACE  
 ▽ PROFILE OF ANY LINE  
 ↗ RUNOUT  
 ⊕ TRUE POSITION  
 ⊙ CONCENTRICITY  
 ≡ SYMMETRY

UNLESS OTHERWISE SPECIFIED DIM. TOLERANCES ARE AS FOLLOWS:  
 INCH X XX XXX XXXX  
 mm ±0.5 ±0.13 ±0.013  
 ANG. ±.50 DEG  
 REMOVE BURRS & BREAK SHARP EDGES:  
 INCH .003-.015 mm 0.1-0.4  
 CORNER FILLETS TO:  
 INCH .020 mm 0.5  
 MACHINE SURFACES:  
 INCH 125 mm 3.2  
 METRIC DIMS. SHOWN IN [BRACKETS]

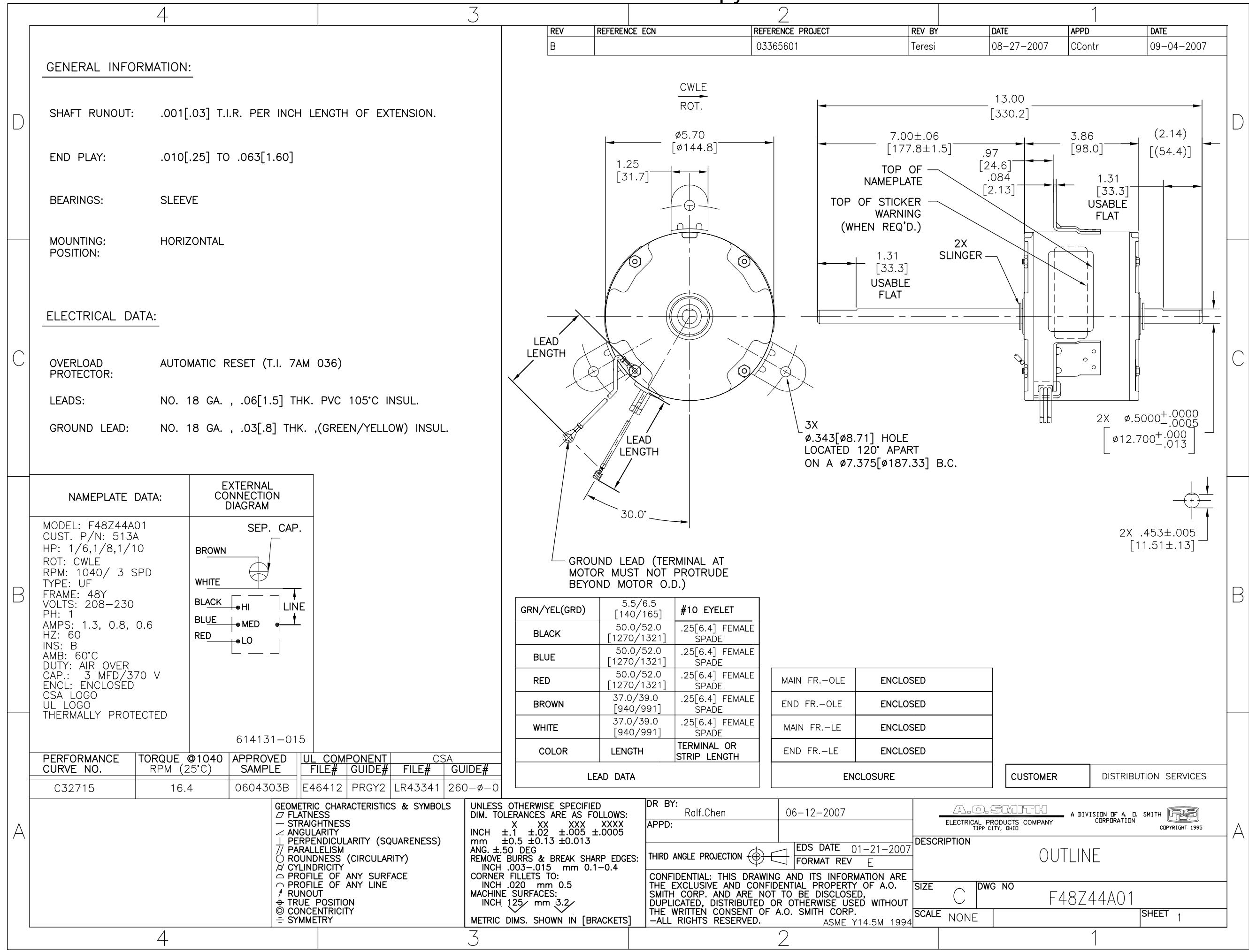
DR BY: Ralf.Chen 06-12-2007  
 APPD:  
 THIRD ANGLE PROJECTION  
 EDS DATE 01-21-2007  
 FORMAT REV E  
 CONFIDENTIAL: THIS DRAWING AND ITS INFORMATION ARE THE EXCLUSIVE AND CONFIDENTIAL PROPERTY OF A.O. SMITH CORP. AND ARE NOT TO BE DISCLOSED, DUPLICATED, DISTRIBUTED OR OTHERWISE USED WITHOUT THE WRITTEN CONSENT OF A.O. SMITH CORP.  
 -ALL RIGHTS RESERVED. ASME Y14.5M 1994

**A.O. SMITH** A DIVISION OF A. O. SMITH CORPORATION  
 ELECTRICAL PRODUCTS COMPANY TIPP CITY, OHIO COPYRIGHT 1995

DESCRIPTION: **OUTLINE**

SIZE: C DWG NO: F48Z44A01

SCALE: NONE SHEET: 1



4

3

2

1

REVISION: B	ECN REFERENCIA:	PROYECTO REFERENCIA: 03365601	REVISADO POR: Teresi	FECHA: 08-27-2007	APROBADO POR: CContr	FECHA: 09-04-2007
-------------	-----------------	-------------------------------	----------------------	-------------------	----------------------	-------------------

INFORMACION GENERAL:

OSCILAMIENTO DE FLECHA: .001[.03] L.T.I. DE EXTENSION DE FLECHA POR PULG.

JUEGO AXIAL: .010[.25] A .063[1.60]

BALEROS: MANGA

POSICION DE MONTAJE: HORIZONTAL

INF. ELECTRICA:

SOBRECARGA DEL PROTECTOR: REINICIO AUTOMATICO (T.I. 7AM 036)

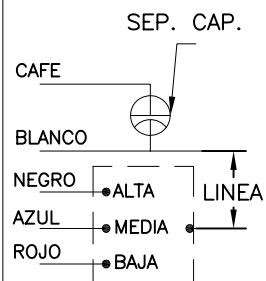
CABLES: CAL. NO. 18, .06[1.5] DE ESP. PVC 105°C DE AISL.

CABLE DE TIERRA: CAL. NO. 18, .03[.8] DE ESP. ,(VERDE/AMARILLO) AISL.

INF. PLACA DE DATOS:

MODEL: F48Z44A01  
 CUST. P/N: 513A  
 HP: 1/6,1/8,1/10  
 ROT: CWLE  
 RPM: 1040/ 3 SPD  
 TYPE: UF  
 FRAME: 48Y  
 VOLTS: 208-230  
 PH: 1  
 AMPS: 1.3, 0.8, 0.6  
 HZ: 60  
 INS: B  
 AMB: 60°C  
 DUTY: AIR OVER  
 CAP.: 3 MFD/370 V  
 ENCL: ENCLOSED  
 CSA LOGO  
 UL LOGO  
 THERMALLY PROTECTED

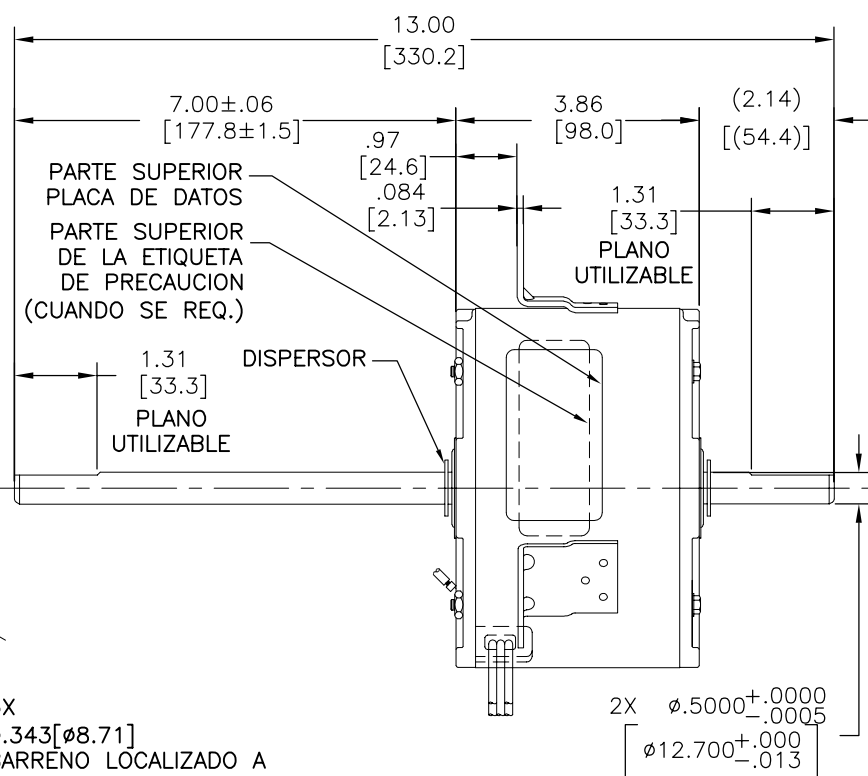
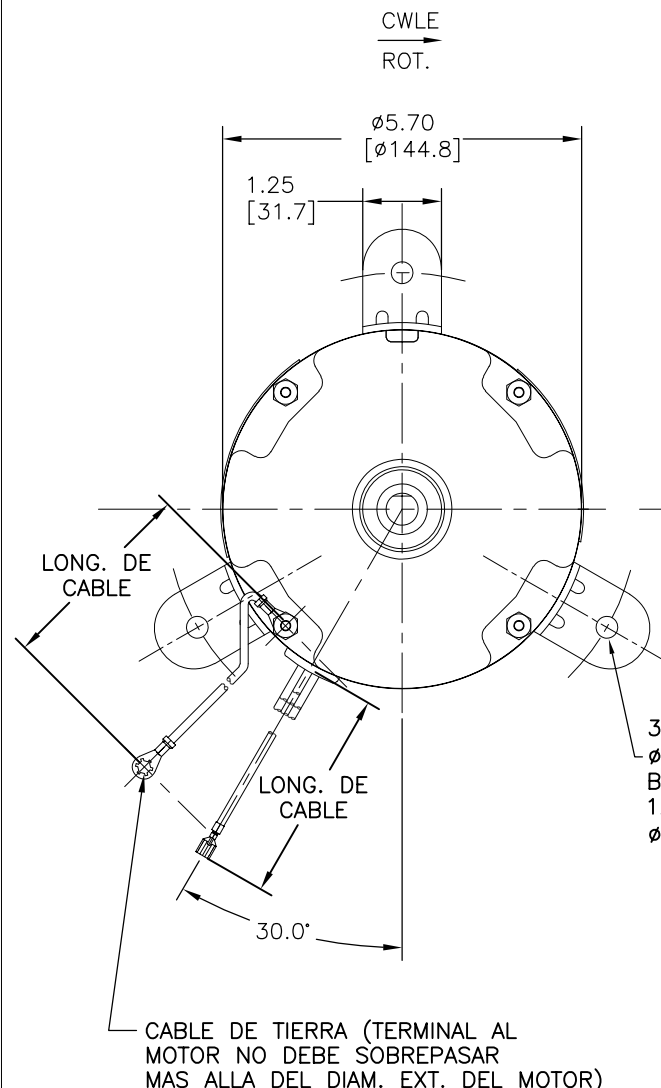
DIAGRAMA DE CONEXION EXTERNA



CURVA DE FUNCIONAMIENTO	TORSION @1040 RPM (25°C)	MUESTRA APROBADA	COMPONENTE UIL	CSA
C32715	16.4	0604303B	ARCH# PRGY2	LR43341 260-φ-0

VER/AMA(TIERRA)	5.5/6.5 [140/165]	#10 OJAL
NEGRO	50.0/52.0 [1270/1321]	.25[6.4] FEMALE SPADE
AZUL	50.0/52.0 [1270/1321]	.25[6.4] FEMALE SPADE
ROJO	50.0/52.0 [1270/1321]	.25[6.4] FEMALE SPADE
CAFE	37.0/39.0 [940/991]	.25[6.4] FEMALE SPADE
BLANCO	37.0/39.0 [940/991]	.25[6.4] FEMALE SPADE
COLOR	LONG.	TERMINAL O LG. DE DESFORRE

TIPO DE MOTOR	CLIENTE	DISTRIBUTION SERVICES
MAIN FR.-OLE	CERRADO	
END FR.-OLE	CERRADO	
MAIN FR.-LE	CERRADO	
END FR.-LE	CERRADO	



CARACTERISTICAS DE GEOMETRIA Y SIMBOLOS

- PLANICIDAD
- RECTITUD
- ANGULARIDAD
- PERPENDICULARIDAD (A ESCUADRA)
- PARALELISMO
- REDONDEZ (CIRCULARIDAD)
- CILINDRICIDAD
- PERFIL DE CUALQUIER SUPERFICIE
- PERFIL DE CUALQUIER LINEA
- VARIACION
- POSICION REAL
- CONCENTRICIDAD
- SIMETRIA

A MENOS QUE SE ESPECIFIQUE DE OTRA MANERA, LAS TOLERANCIAS DE LAS DIMS; SON LAS SIGUIENTES:

PULG ±.1 ±.02 ±.005 ±.0005  
 mm ±0.5 ±0.13 ±0.013

ANG. ± 50 GRADOS

ELIMINAR REBABAS Y ORILLAS FILOSAS DEL BORDE.

PULG .003-.015 mm 0.1-0.4

FILETEAR ESQUINA: PULG .020 mm 0.5

MAQUINAR SUPERFICIES

PULG 125 mm 3.2

DIMS METRICAS MOSTRADAS [PARENTESIS]

DIBUJADO POR: Ralf.Chen 06-12-2007

APROBADO POR:

TERCER ANGULO DE PROYECCION

FECHA EDS: 01-21-2007

REV. FORMATO: E

CONFIDENCIAL: ESTE DIBUJO Y SU INFORMACION SON PROPIEDAD DE USO EXCLUSIVO Y CONFIDENCIAL DE A.O.SMITH CORP. Y NO DEBERAN SER REVELADOS, DUPLICADOS, DISTRIBUIDOS O USARSE DE OTRA MANERA SIN EL CONSENTIMIENTO ESCRITO DE A.O. SMITH CORP.

-TODOS LOS DERECHOS RESERVADOS.ASME Y14.5M 1994

**A.O. SMITH** A DIVISION OF A. O. SMITH CORPORATION  
 ELECTRICAL PRODUCTS COMPANY TIPP CITY, OHIO COPYRIGHT 1995

DESCRIPCION: **OUTLINE**

TAMAÑO: C NUMERO DE DIBUJO: F48Z44A01

ESCALA: NONE HOJA: 1

4

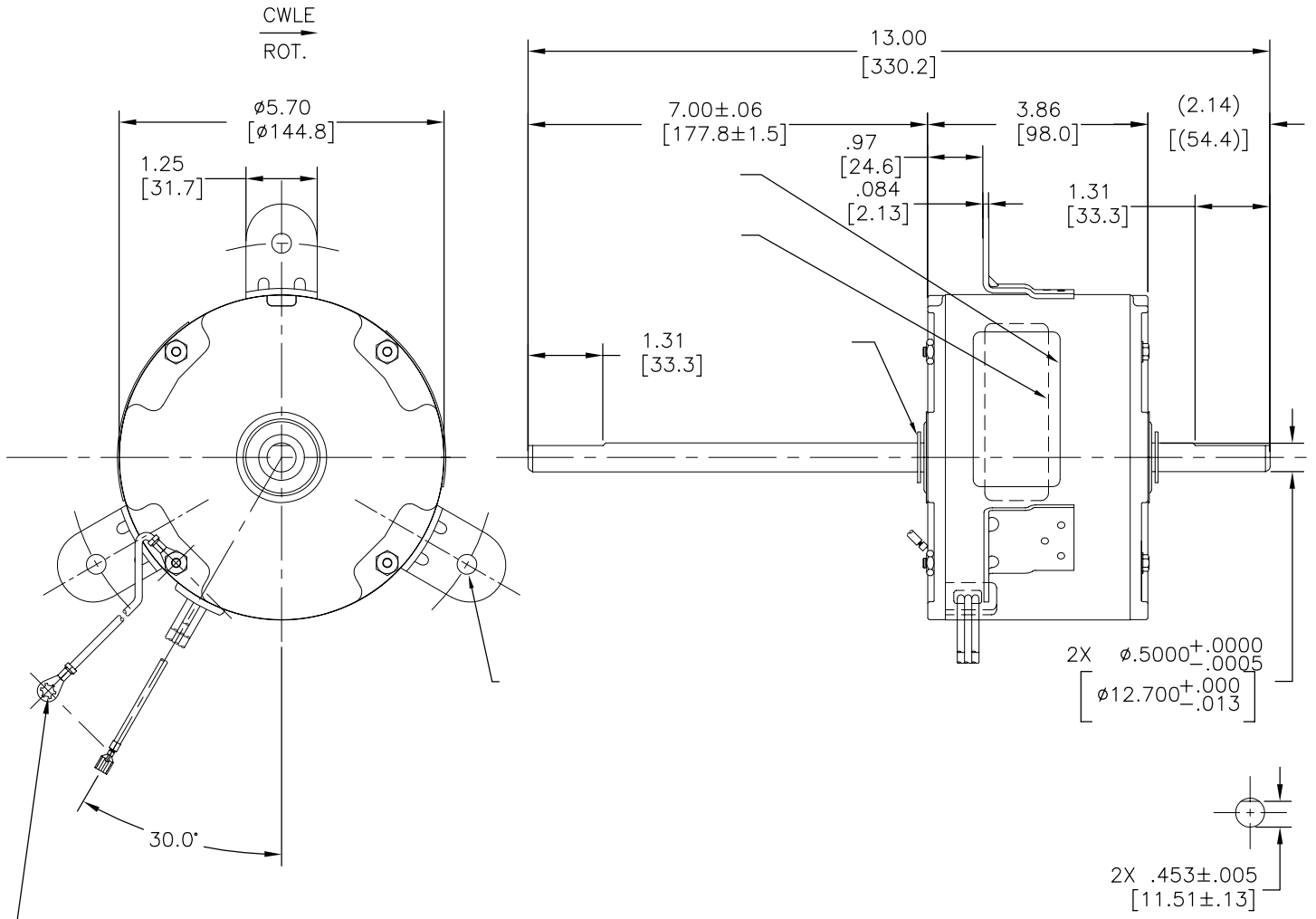
3

2

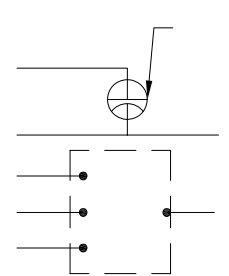
1

4 3 2 1

版本	更改通知号	项目号	编制	日期	批准	日期
B		03365601	Teresi	08-27-2007	CContr	09-04-2007



MODEL: F48Z44A01  
 CUST. P/N: 513A  
 HP: 1/6, 1/8, 1/10  
 ROT: CWLE  
 RPM: 1040/ 3 SPD  
 TYPE: UF  
 FRAME: 48Y  
 VOLTS: 208-230  
 PH: 1  
 AMPS: 1.3, 0.8, 0.6  
 HZ: 60  
 INS: B  
 AMB: 60°C  
 DUTY: AIR OVER  
 CAP.: 3 MFD/370 V  
 ENCL: ENCLOSED  
 CSA LOGO  
 UL LOGO  
 THERMALLY PROTECTED



614131-015

	5.5/6.5 [140/165]	
	50.0/52.0 [1270/1321]	.25[6.4] FEMALE SPADE
	50.0/52.0 [1270/1321]	.25[6.4] FEMALE SPADE
	50.0/52.0 [1270/1321]	.25[6.4] FEMALE SPADE
	37.0/39.0 [940/991]	.25[6.4] FEMALE SPADE
	37.0/39.0 [940/991]	.25[6.4] FEMALE SPADE

MAIN FR.-OLE	
END FR.-OLE	
MAIN FR.-LE	
END FR.-LE	

DISTRIBUTION SERVICES

	RPM (25°C)		CSA			
C32715	16.4	0604303B	E46412	PRGY2	LR43341	260-∅-0

形位公差  
 □ 平面度  
 — 直线度  
 < 倾斜度  
 ⊥ 垂直度  
 // 平行度  
 ○ 圆度  
 ⊙ 圆柱度  
 ⊖ 内圆角  
 △ 面轮廓度  
 ⊕ 线轮廓度  
 ↗ 圆跳动  
 ⊕ 位置度  
 ⊙ 同轴度  
 ≡ 对称度

除另有注明  
 尺寸公差如下:  
 英寸 X XX XXX XXXX  
 毫米 ±.1 ±.02 ±.005 ±.0005  
 毫米 ±0.5 ±0.13 ±0.013  
 角度 ±.50 度  
 清理毛刺和尖棱  
 英寸 .003-.015 毫米 0.1-0.4  
 内圆角  
 英寸 .020 毫米 0.5  
 表面粗糙度  
 英制 125 米制 3.2  
 米制尺寸显示在 [ ]

绘图: Ralf.Chen 06-12-2007  
 批准:  
 第三角投影  
 图幅: C 图号: F48Z44A01  
 比例: NONE 页号: 1  
 机密: 本图纸及相关信息所有权归A. O. SMITH公司所有。未经A. O. SMITH公司书面授权, 不得泄露、复制、传播或作其他用途。--版权所有  
 ASME Y14.5M 1994

**A. O. SMITH** A DIVISION OF A. O. SMITH CORPORATION  
 ELECTRICAL PRODUCTS COMPANY TIPP CITY, OHIO COPYRIGHT 1995

名称: OUTLINE  
 图幅: C 图号: F48Z44A01  
 比例: NONE 页号: 1

4 3 2 1