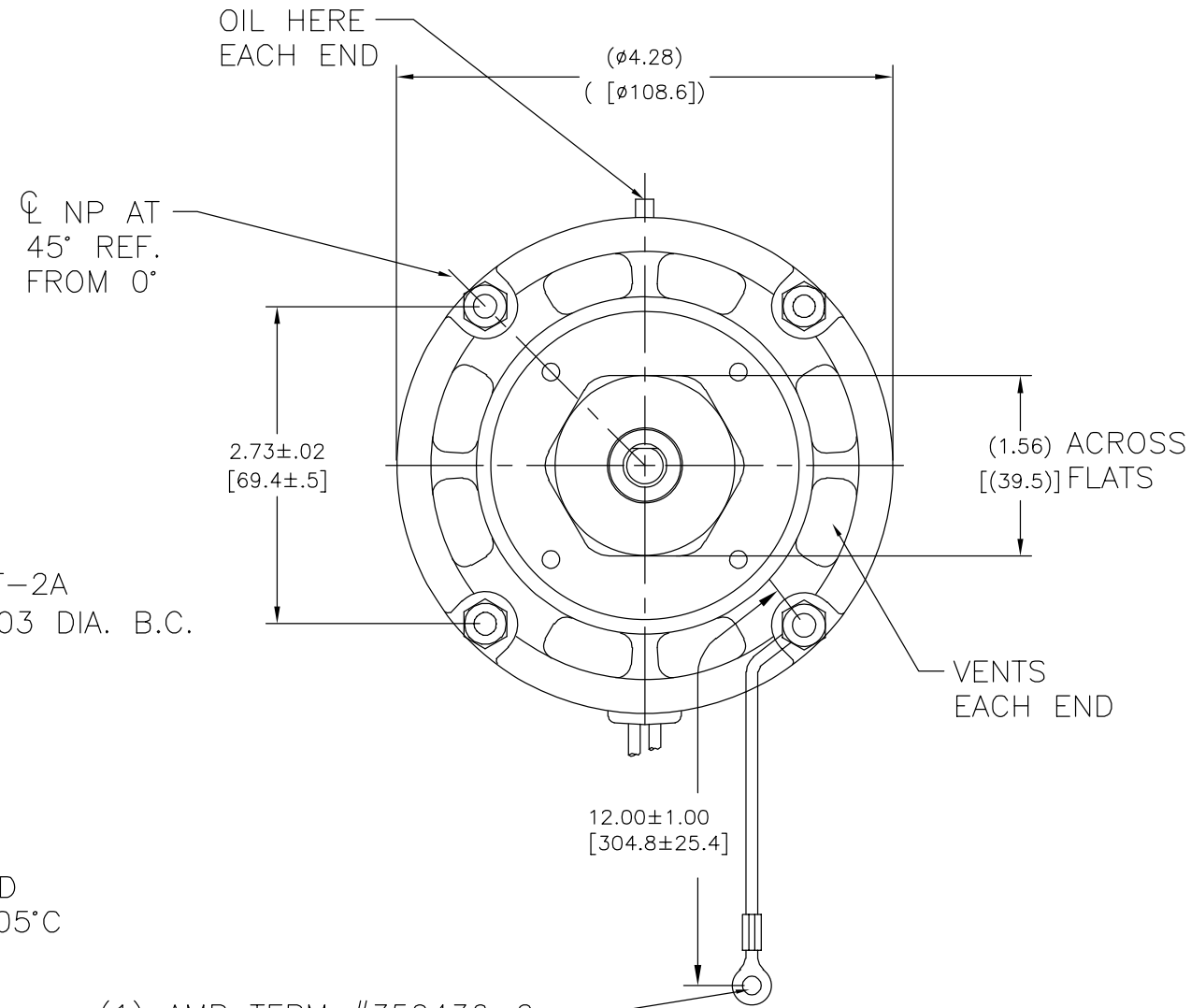
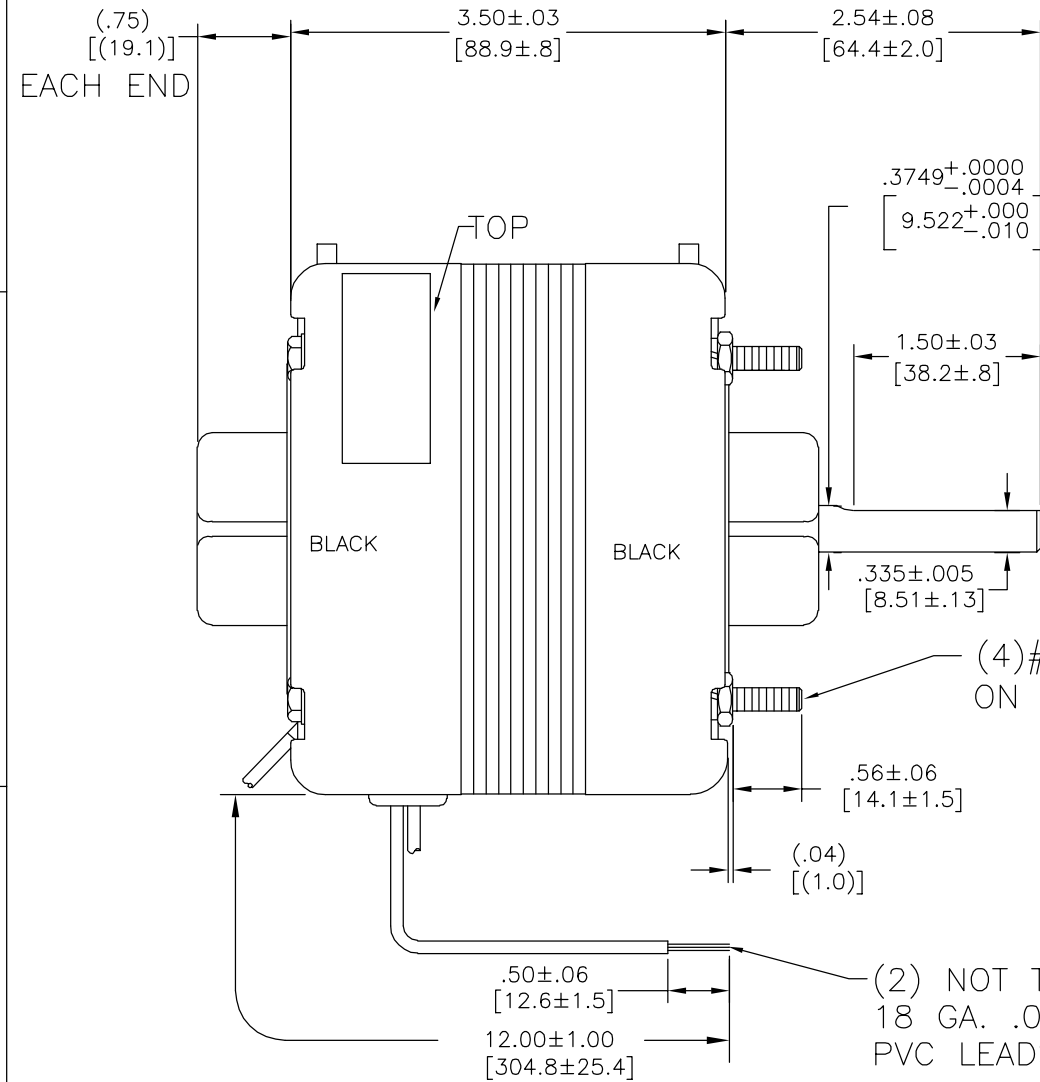


CUSTOMER IS SOLELY RESPONSIBLE FOR MOTOR PERFORMANCE AND SUITABILITY IN APPLICATIONS FOR CUSTOMER'S USES

END PLAY .04[1.0] MAXIMUM



NAMEPLATE DATA:



THERMALLY PROTECTED

Tipp City, OH



SER. DATE, PLT MOD CA2G177N# STOCK NO. 46A
115V 60HZ 2.6A 1550RPM 1/12HP 1PH CONT A.O.
ASSEMBLED IN MEXICO ← ROTATION →

ELECTRICALLY PER SAMPLE S-7016D

CCWLE-CWSE

DRAWING REVISION	REVISION BY	DATE	TOLERANCES UNLESS OTHERWISE SPECIFIED
A	A. BAUGHMAN	02-11-2015	DEC. INCH mm ANGLE
ECO	APPROVED BY	DATE	.X ±0.1 [±2.5] ±0.5°
ECO-0071320	A. BAUGHMAN	02-11-2015	.XX ±0.02 [±0.51]
NEW			.XXX ±0.005 [±0.127]
			.XXXX ±0.0005 [±0.0127]
			REMOVE BURRS & BREAK SHARP EDGES .003/015 [0.076/381]
			CORNER FILLETS .02 [1.51]
			MACHINED SURFACES .125/ mm ^{3/2}
			mm SHOWN IN [BRACKETS]

DRAWN BY:	A. BAUGHMAN
DATE:	02-11-2015
APPROVED BY:	A. BAUGHMAN
DATE:	02-11-2015
REFERENCE	
THIRD ANGLE PROJECTION	

Regal Beloit America, Inc.	
DESCRIPTION	MODEL-SFHP-4.3 OUTLINE
MATERIAL	
PROCESS/FINISH	
SIZE DWG NO	C 46A
SHEET	1

COPYRIGHT REGAL BELOIT AMERICA, INC. ALL RIGHTS RESERVED. PROPRIETARY AND CONFIDENTIAL INFORMATION - THIS DOCUMENT IS THE PROPERTY OF REGAL BELOIT AMERICA, INC. (OWNER) AND CONTAINS OWNER'S PROPRIETARY INFORMATION. ANY PERSON, CORPORATION OR OTHER FIRM RECEIVING IT IS DEEMED, BY RECEIVING IT, TO AGREE THAT IT, AND/OR ANY PART OF IT, SHALL NOT BE DISCLOSED TO ANY PERSON, CORPORATION OR OTHER ENTITY, DUPLICATED, AND/OR USED, EXCEPT AS EXPRESSLY APPROVED IN WRITING IN ADVANCE BY OWNER. THIS DOCUMENT SHALL BE RETURNED TO OWNER UPON REQUEST. IT MAY BE SUBJECT TO CERTAIN RESTRICTIONS UNDER APPLICABLE EXPORT CONTROL LAWS AND REGULATIONS.