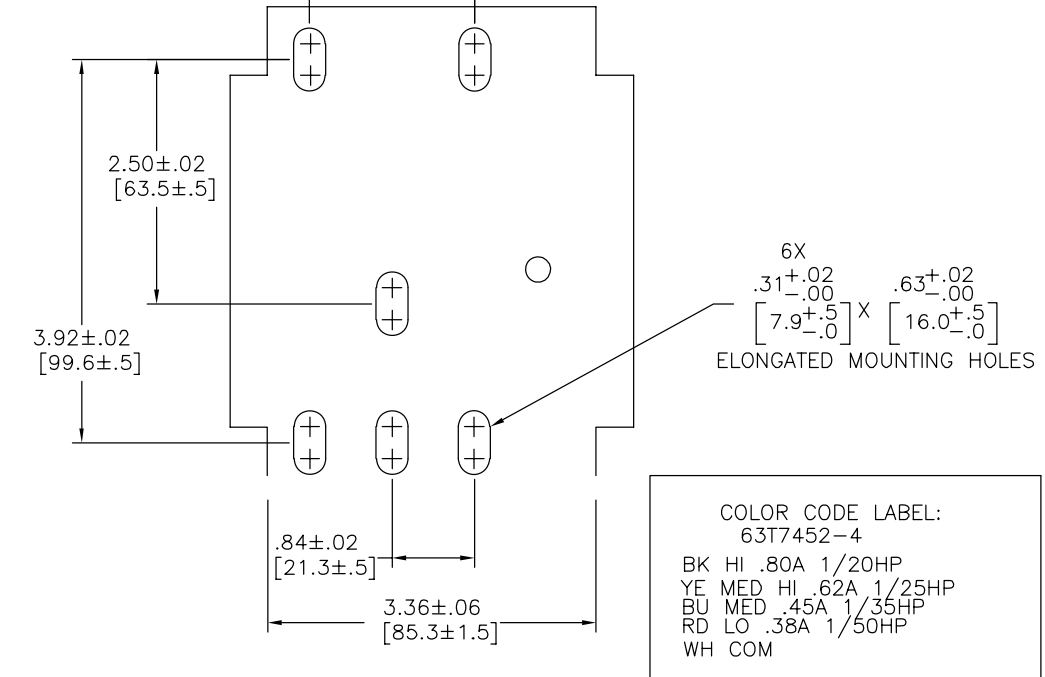
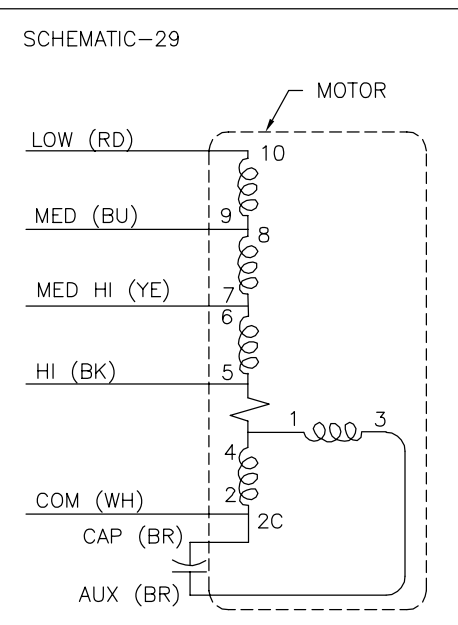
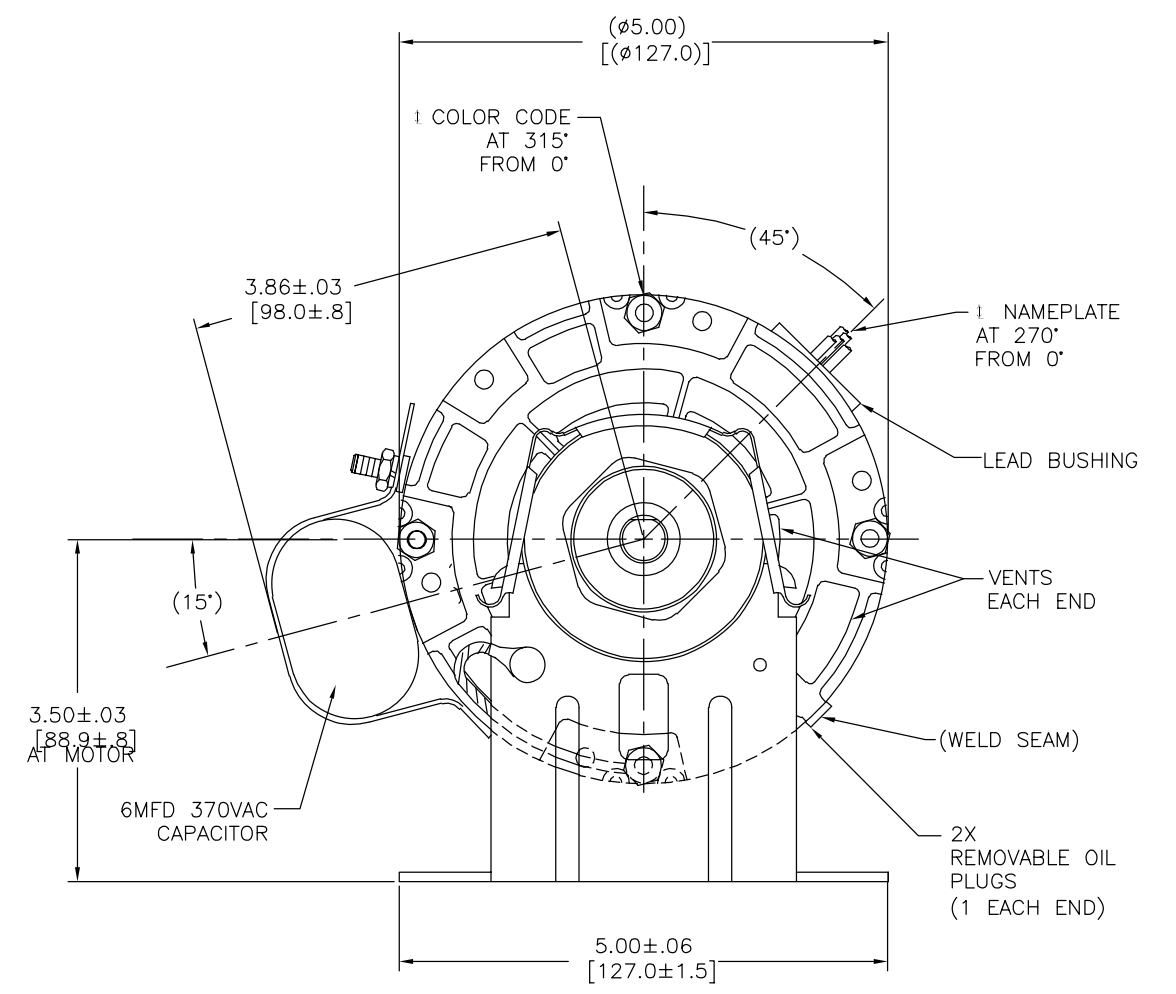
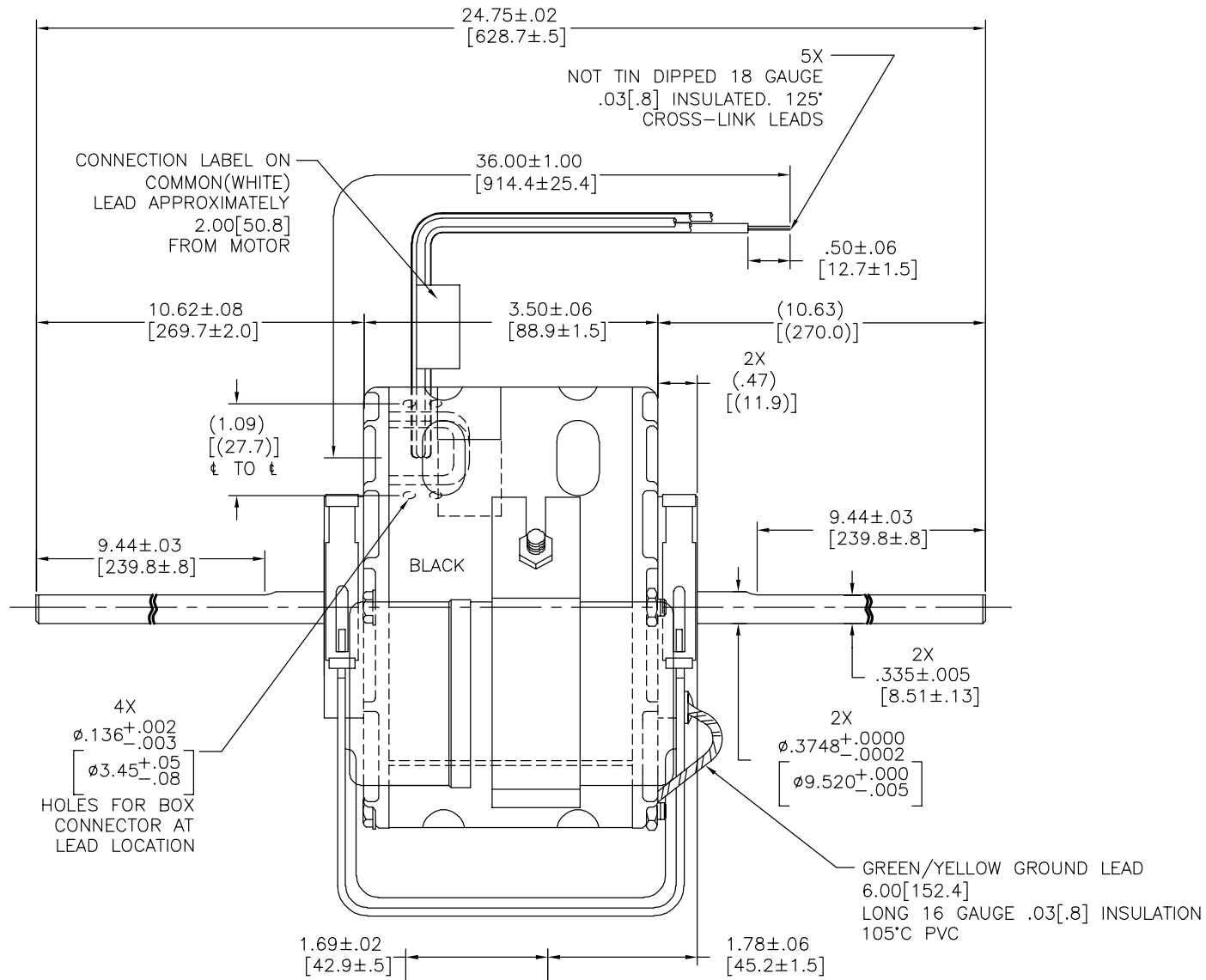


CUSTOMER IS SOLELY RESPONSIBLE FOR MOTOR PERFORMANCE AND SUITABILITY IN APPLICATIONS FOR CUSTOMER'S USES.

ENDPLAY .005[.13] MINIMUM - .040[1.02] MAXIMUM  
 MAXIMUM SHAFT RUN OUT .001[.13] PER INCH  
 MAXIMUM RUN OUT NOT TO EXCEED .010[.25]



COLOR CODE LABEL:  
 63T7452-4  
 BK HI .80A 1/20HP  
 YE MED HI .62A 1/25HP  
 BU MED .45A 1/35HP  
 RD LO .38A 1/50HP  
 WH COM

CONNECTION LABEL  
 63T7433-265

ROT: CWLE

NAMEPLATE DATA:

Tipp City, OH  
 THERMALLY PROTECTED

SER. DATE & PO# PLT LTR MOD DE3D377N STOCK NO. 452B  
 VOLTS 115 HZ 60 AMPS .80  
 RPM 1075 SP PH 1 CAP 6MFD 370VAC  
 INS CL AMB °C HP CONT A.O. ROTATION →  
 BRG SLV ASSEMBLED IN MEXICO

ELECTRICALLY PER  
 SAMPLE S-8196D

DRAWING REVISION A	REVISION BY A. BAUGHMAN	DATE 02-10-2015	TOLERANCES UNLESS OTHERWISE SPECIFIED DEC: INCH ±.01 (±2.5) ANGLE ±0.5°	DRAWN BY A. BAUGHMAN	DATE 02-10-2015	REGAL Regal Beloit America, Inc.
ECO-0071312	A. BAUGHMAN	02-10-2015	.XX ±0.02 (±0.51) .XXX ±0.005 (±0.127) .XXXX ±0.0005 (±0.0127)	APPROVED BY A. BAUGHMAN	DATE 02-10-2015	DESCRIPTION MODEL-RFHP-42FR OUTLINE
<small>COPYRIGHT REGAL BELOIT AMERICA, INC. ALL RIGHTS RESERVED. PROPRIETARY AND CONFIDENTIAL INFORMATION - THIS DOCUMENT IS THE PROPERTY OF REGAL BELOIT AMERICA, INC. IT IS LOANED TO YOUR COMPANY UNDER THE CONDITION THAT YOU WILL NOT REPRODUCE, COPY, OR DISSEMINATE THIS DOCUMENT TO ANY PERSON, CORPORATION OR OTHER FIRM WITHOUT THE WRITTEN PERMISSION OF REGAL BELOIT AMERICA, INC. ANY SUCH VIOLATION SHALL BE SUBJECT TO APPLICABLE EXPORT CONTROL LAWS AND REGULATIONS.</small>			REMOVE BURRS & BREAK SHARP EDGES .003(.015) (.076(.381)) CORNER FILLETS .02 (.51) MACHINED SURFACES .125 (.317) INCH (mm) ±.005 mm SHOWN IN BRACKETS	REFERENCE MATERIAL PROCESS/FINISH THIRD ANGLE PROJECTION	SIZE DWG NO D 452B	SHEET 1