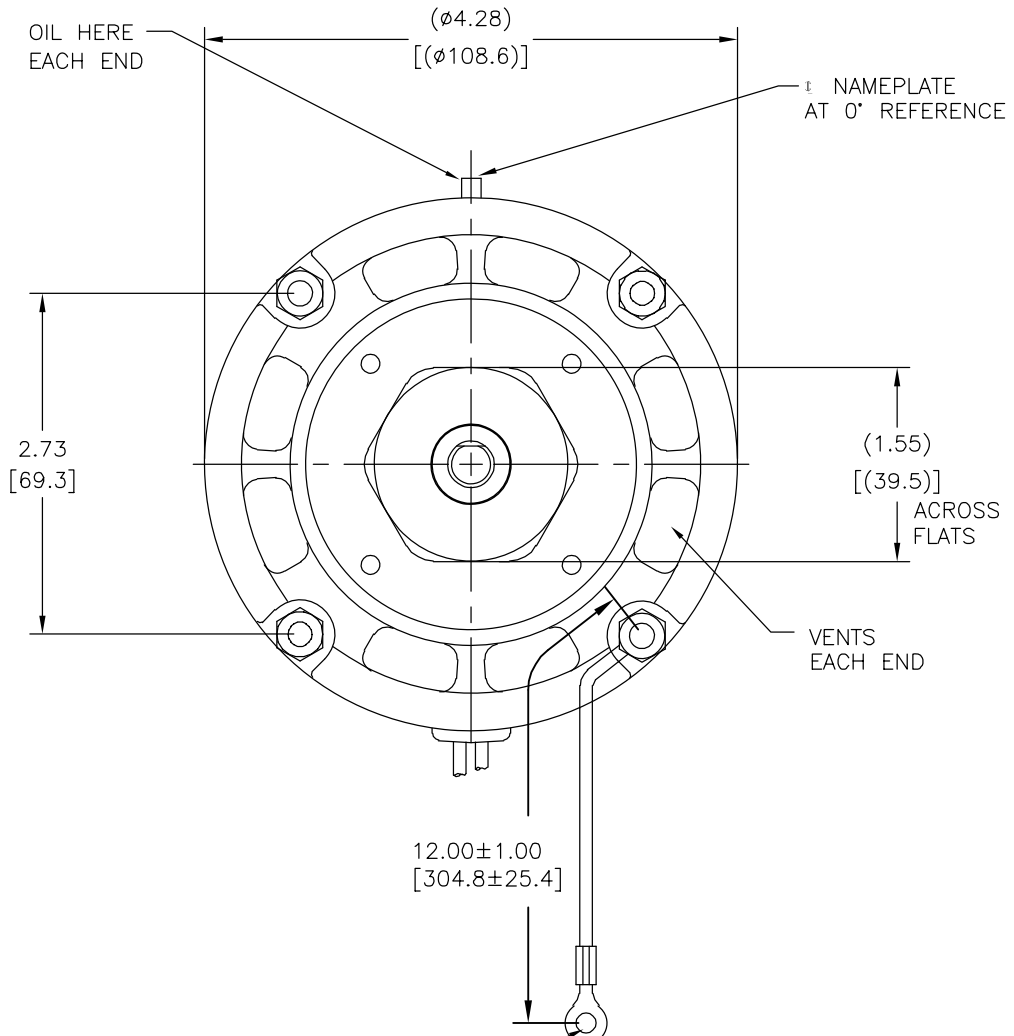
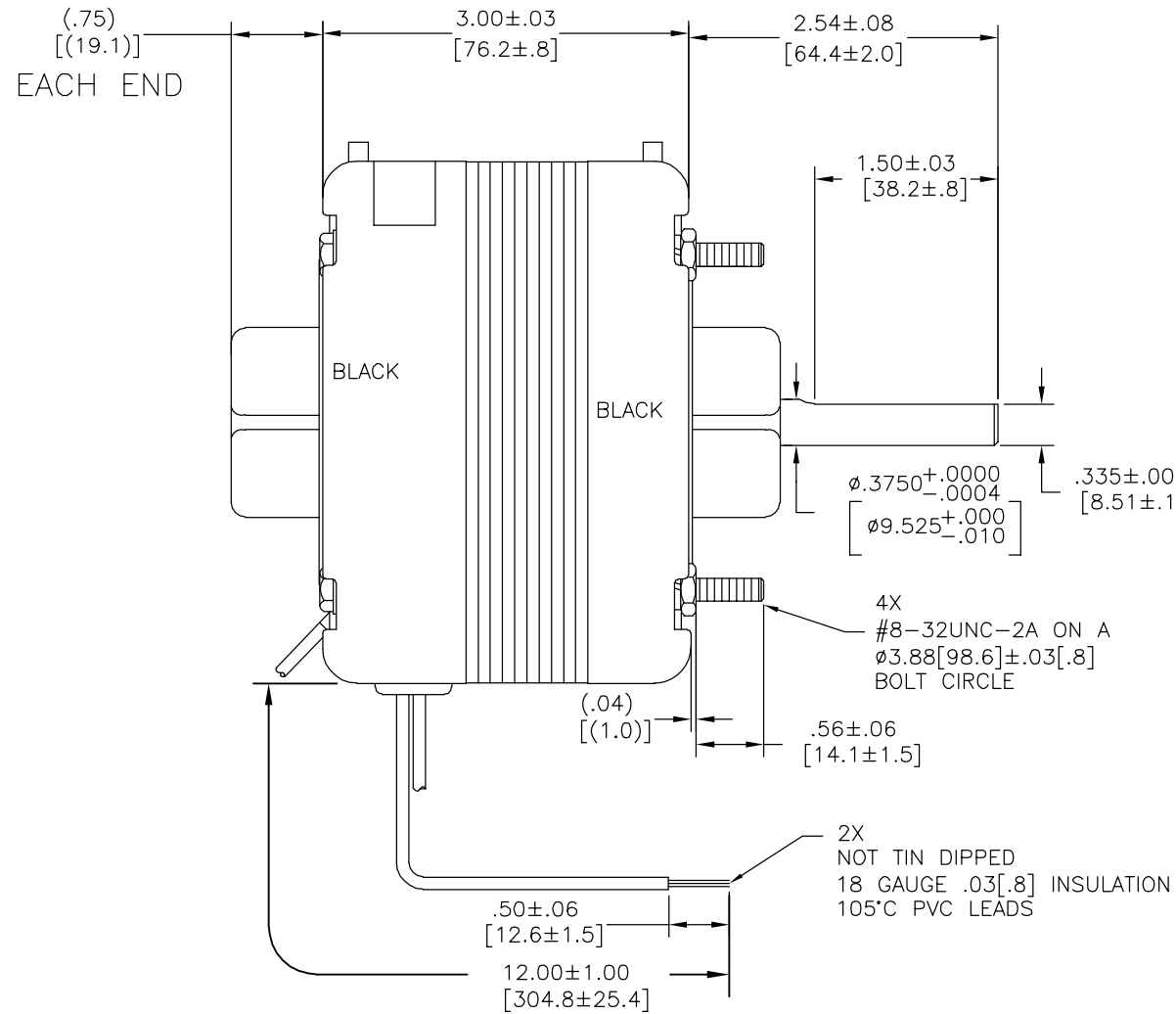


CUSTOMER IS SOLELY RESPONSIBLE FOR MOTOR PERFORMANCE AND SUITABILITY IN APPLICATIONS FOR CUSTOMER'S USES

END PLAY .04[1.0] MAXIMUM



CCWLE-CWSE

NAMEPLATE DATA:



THERMALLY PROTECTED

Tipp City, OH



SER. DATE PLT MOD CA2E136N#
115V 60HZ 2.3A 1550RPM 1/15HP CONT A0 1PH

← ROTATION → STK. NO. 44A ASSEMBLED IN MEXICO

ELECTRICALLY PER SAMPLE S-7983D

DRAWING REVISION A	REVISION BY A. BAUGHMAN	DATE 02-11-2015	TOLERANCES UNLESS OTHERWISE SPECIFIED DEC. INCH mm ANGLE X ±0.1 [±2.5] ±0.5° .XX ±0.02 [±0.51] .XXX ±0.005 [±0.127] .XXXX ±0.0005 [±0.0127]	DRAWN BY: A. BAUGHMAN	Regal Beloit America, Inc. DESCRIPTION MODEL-SFHP-4.3 OUTLINE
ECO-0071322	APPROVED BY A. BAUGHMAN	DATE 02-11-2015	REMOVE BURRS & BREAK SHARP EDGES .003/015 [0.076/381] CORNER FILLETS .02 [1.51] MACHINED SURFACES INCH/mm 25/32 mm SHOWN IN [BRACKETS]	APPROVED BY: A. BAUGHMAN	
ECO DESCRIPTION NEW	<small>COPYRIGHT REGAL BELOIT AMERICA, INC. ALL RIGHTS RESERVED. PROPRIETARY AND CONFIDENTIAL INFORMATION - THIS DOCUMENT IS THE PROPERTY OF REGAL BELOIT AMERICA, INC. (OWNER) AND CONTAINS OWNER'S PROPRIETARY INFORMATION. ANY PERSON, CORPORATION OR OTHER FIRM RECEIVING IT IS DEEMED, BY RECEIVING IT, TO AGREE THAT IT, AND/OR ANY PART OF IT, SHALL NOT BE DISCLOSED TO ANY PERSON, CORPORATION OR OTHER ENTITY, DUPLICATED, AND/OR USED, EXCEPT AS EXPRESSLY APPROVED IN WRITING IN ADVANCE BY OWNER. THIS DOCUMENT SHALL BE RETURNED TO OWNER UPON REQUEST. IT MAY BE SUBJECT TO CERTAIN RESTRICTIONS UNDER APPLICABLE EXPORT CONTROL LAWS AND REGULATIONS.</small>		REFERENCE	DATE: 02-11-2015	MATERIAL
			THIRD ANGLE PROJECTION	SIZE DWG NO C 44A	PROCESS/FINISH
					SHEET 1