

4

3

2

1

GENERAL INFORMATION:

SHAFT RUNOUT: .001 [.03] T.I.R. PER INCH LENGTH OF EXTENSION

BEARINGS: BALL

MOUNTING POSITION: ALL ANGLE

ELECTRICAL DATA:

OVERLOAD PROTECTOR: AUTOMATIC RESET (T.I. 7AM 036)

LEADS: NO. 18 GA., .06 [1.5] THK. PVC 105°C INSULATION

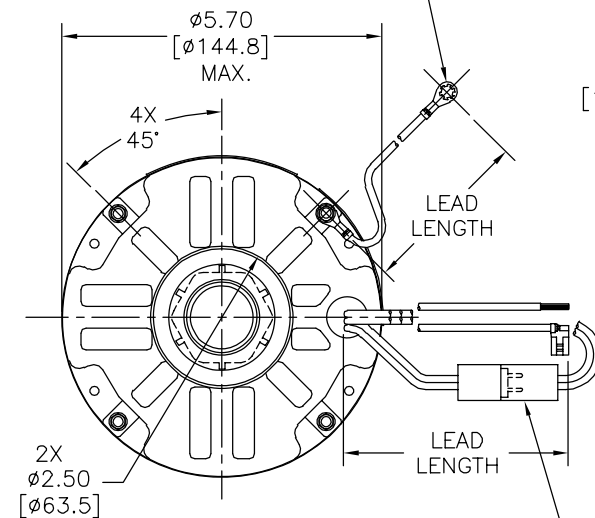
REVERSING PLUGS: NO. 18 GA., .03 [.8] THK. XLP 125°C INSULATION

GROUND LEAD: NO. 18 GA., .03 [.8] THK. (GREEN/YELLOW) INSULATION

REV	ECO	REV BY	DATE	APPD	DATE
B	0025460	VMIJARES	04-24-2012	TREYES	04-24-2012

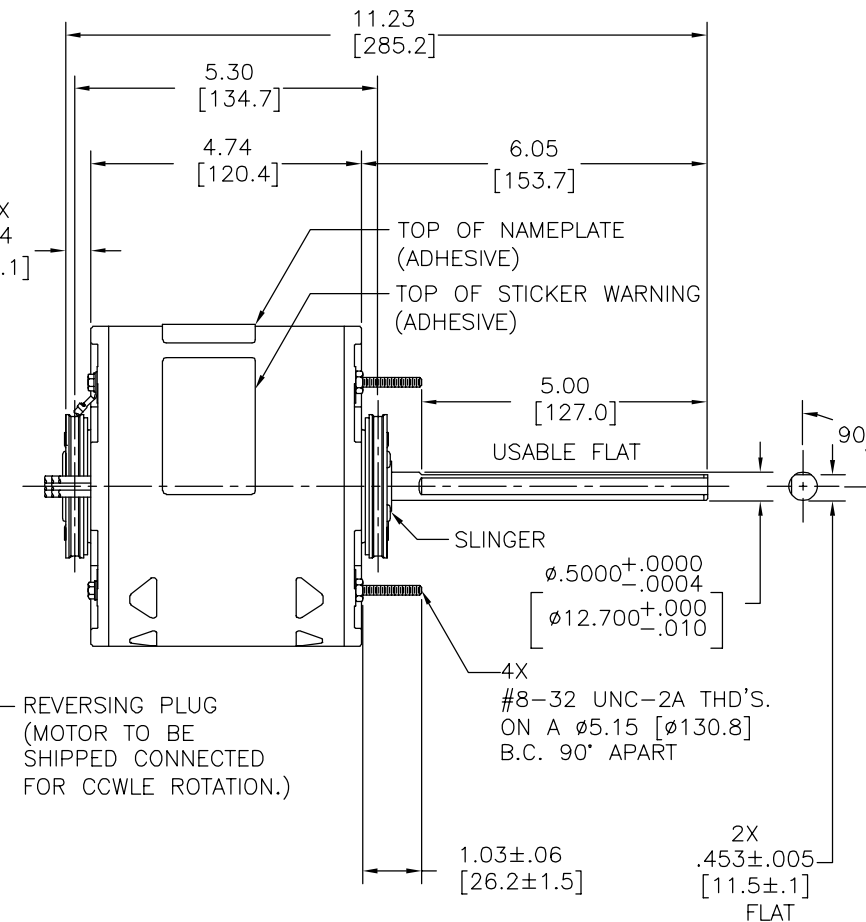
GROUND LEAD (TERMINAL AT MOTOR MUST NOT PROTRUDE BEYOND MOTOR O.D.)

REV. ROT.



2X .44 [11.1]

REVERSING PLUG (MOTOR TO BE SHIPPED CONNECTED FOR CCWLE ROTATION.)



GREEN/YELLOW (GROUND)	11.0/13.0 [279/330]	#10 EYELET
BLACK/WHITE	3.0/5.0 [76/127]	REVERSING PLUG
BROWN	22.0/24.0 [559/610]	.25[6.4] FLAG
BROWN/WHITE	22.0/24.0 [559/610]	.25[6.4] FLAG
WHITE	22.0/24.0 [559/610]	.50[12.7] SKIN
BLACK	22.0/24.0 [559/610]	.50[12.7] SKIN
COLOR	LENGTH	TERMINAL OR STRIP LENGTH

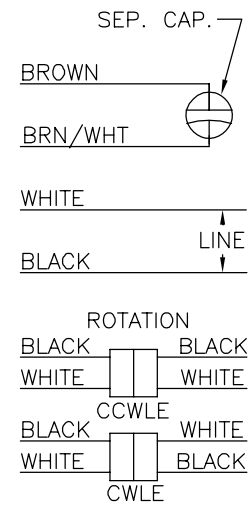
MAIN FRAME - OLE	SEMI-ENCL.
END FRAME - OLE	ENCLOSED
MAIN FRAME - LE	SEMI-ENCL.
END FRAME - LE	OPEN

CUSTOMER	DISTRIBUTION SERVICE
----------	----------------------

NAMEPLATE DATA:

MODEL NO.: F48Y39A01  
 CUST. P/N: 436A  
 HP: 1/3  
 ROT.: REVERSIBLE  
 RPM: 1075  
 TYPE: UF  
 FRAME: 48  
 VOLTS: 460  
 PH: 1  
 AMPS: 1.0  
 HZ: 60  
 INS.: B  
 AMB.: 60° C  
 DUTY: AIR OVER  
 CAP.: 5 MFD/370 V  
 ENCL: SEMI-ENCL.  
 UL LOGO  
 CSA LOGO  
 THERMALLY PROTECTED

EXTERNAL CONNECTION DIAGRAM



614131-242

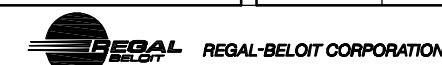
PERFORMANCE CURVE NO.	TORQUE @ 1075 RPM (25°C)	APPROVED SAMPLE	UL COMPONENT		CSA	
			FILE #	CCN #	FILE #	CLASS #
C32627	31.0 OZ. FT.	0601680B	E46412	PRGY2	LR43341	4211-01

GEOMETRIC CHARACTERISTICS & SYMBOLS  
 □ FLATNESS  
 — STRAIGHTNESS  
 < ANGLARITY  
 ⊥ PERPENDICULARITY (SQUARENESS)  
 // PARALLELISM  
 ○ ROUNDNESS (CIRCULARITY)  
 ∅ CYLINDRICITY  
 △ PROFILE OF ANY SURFACE  
 ∩ PROFILE OF ANY LINE  
 ↑ RUNOUT  
 ⊕ TRUE POSITION  
 ⊙ CONCENTRICITY  
 = SYMMETRY  
 ASME Y14.5M 1994

REGAL-BELOIT CORPORATION (RBC) PROVIDES TECHNICAL ASSISTANCE TO OUR CUSTOMERS IN SEVERAL AREAS. SINCE RBC DOES NOT RECEIVE ALL DATA CONCERNING THE USE AND APPLICATION OF THE MOTOR, THE SUITABILITY OF THE MOTOR FOR THE APPLICATION MUST BE DETERMINED BY THE CUSTOMER.

DIMENSIONS WITHOUT TOLERANCES ARE FOR REFERENCE ONLY.

DR BY: JRUPERT 04-26-2011  
 APPD: JRUPERT 04-26-2011  
 THIRD ANGLE PROJECTION  
 EDS DATE 11-11-2011  
 FORMAT REV G  
 CONFIDENTIAL: THIS DRAWING AND ITS INFORMATION ARE THE EXCLUSIVE AND CONFIDENTIAL PROPERTY OF REGAL-BELOIT CORPORATION AND ARE NOT TO BE DISCLOSED, DUPLICATED, DISTRIBUTED OR OTHERWISE USED WITHOUT THE WRITTEN CONSENT OF REGAL-BELOIT CORPORATION. -ALL RIGHTS RESERVED.



DESCRIPTION	OUTLINE MODEL-RFHP-48FR
SIZE	C
DWG NO	436A
SCALE	NONE
SHEET	1

4

3

2

1

4

3

2

1

**INFORMACION GENERAL:**

OSCILACION DE FLECHA: .001[.03]L.T.I.LONGITUD DE EXTENSION POR PULGADA.

BALEROS: BOLAS

POSICION DEL MONTAJE: TODOS LOS ANGULOS

**INFORMACION ELECTRICA:**

PROTECTOR DE SOBRECARGA: REINICIO AUTOMATICO (T.I. 7AM 036)

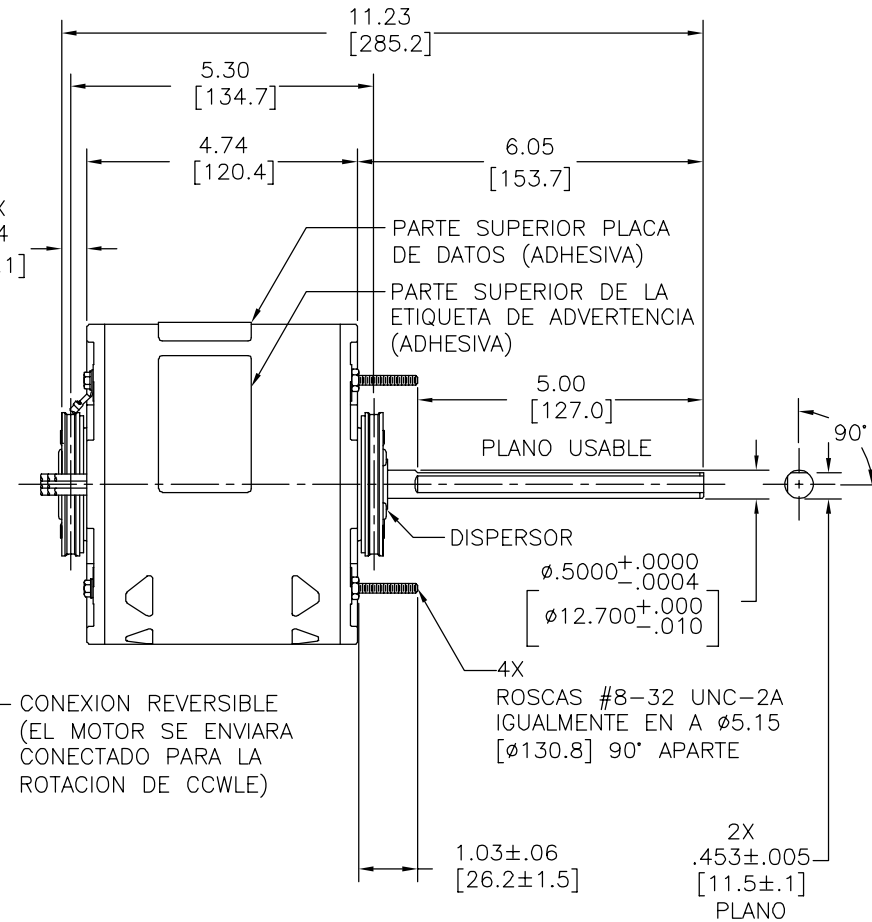
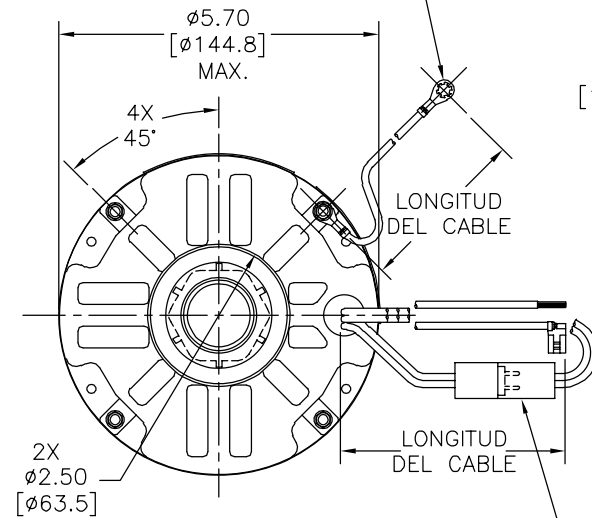
CABLES: CAL NO.18 .06[1.5]GROSOR PVC 105°C AISLAMIENTO

CONEXION REVERSIBLE: CAL.NO.18 .03[.8] GROSOR XLP 125°C AISLAMIENTO

CABLE DE TIERRA: CAL NO.18 .03[.8]GROSOR(VERDE/AMARILLO) AISLAMIENTO

REVISION:	ECO	REVISADO POR:	FECHA:	APROBADO POR:	FECHA:
B	0025460	VMIJARES	04-24-2012	TREYES	04-24-2012

CABLE A TIERRA (LA TERMINAL HACIA EL MOTOR NO DEBE SOBREPASAR MAS ALLA DEL DIAM. EXT. DEL MOTOR)  
REV. ROT.



VERDE/AMARILLO (TIERRA)	11.0/13.0 [279/330]	OJAL #10
NEGRO/BLANCO	3.0/5.0 [76/127]	CONEXION REVERSIBLE
CAFE/BLANCO	22.0/24.0 [559/610]	.25[6.4] BANDERA
CAFE	22.0/24.0 [559/610]	.25[6.4] BANDERA
BLANCO	22.0/24.0 [559/610]	.50[12.7] DESFORRE
NEGRO	22.0/24.0 [559/610]	.50[12.7] DESFORRE
COLOR	LONGITUD	TERMINAL O LONGITUD DE DESFORRE

CARCASA - LOC	SEMI-ENCERRADO
TAPA - LOC	ENCERRADO
CARCASA - LC	SEMI-ENCERRADO
TAPA - LC	ABIERTA

CLIENTE	DISTRIBUTION SERVICE
---------	----------------------

INFORMACION DE ETIQUETA:	DIAGRAMA DE CONEXION EXTRNA
MODEL NO.: F48Y39A01 CUST. P/N: 436A HP: 1/3 ROT.: REVERSIBLE RPM: 1075 TYPE: UF FRAME: 48 VOLTS: 460 PH: 1 AMPS: 1.0 HZ: 60 INS.: B AMB.: 60° C DUTY: AIR OVER CAP.: 5 MFD/370 V ENCL: SEMI-ENCL. UL LOGO CSA LOGO THERMALLY PROTECTED	SEP. CAP. BROWN BRN/WHT WHITE BLACK LINE ROTATION BLACK BLACK WHITE WHITE CCWLE BLACK WHITE WHITE BLACK CWLE

CURVAS DE FUNCIONAMIENTO	TORSION @ 1075 RPM (25°C)	MUESTRA APROBADA	COMPONENTE UL	CSA
C32627	31.0 OZ. FT.	0601680B	#ARCHIVO CCN # #ARCHIVO CLASE #	E46412 PRGY2 LR43341 4211-01

**CARACTERISTICAS DE GEOMETRIA Y SIMBOLOS**  
 □ PLANICIDAD  
 — RECTITUD  
 ∠ ANGULARIDAD  
 ⊥ PERPENDICULARIDAD (A ESCUADRA)  
 // PARALELISMO  
 ○ REDONDEZ (CIRCULARIDAD)  
 ∅ CILINDRICIDAD  
 △ PERFIL DE CUALQUIER SUPERFICIE  
 ∩ PERFIL DE CUALQUIER LINEA  
 ↗ VARIACION  
 ⊕ POSICION REAL  
 ⊙ CONCENTRICIDAD  
 = SIMETRIA  
 ASME Y14.5M 1994

A.O. SMITH PROVEE ASISTENCIA TECNICA A NUESTROS CLIENTES EN VARIAS AREAS. DESDE QUE A.O. SMITH NO RECIBE TODOS LOS DATOS EN RELACION AL USO Y A LA APLICACION DEL MOTOR, LA APLICACION ADECUADA DEL MOTOR DEBE SER DETERMINADA POR EL CLIENTE.

DIMENSIONES SIN TOLERANCIA SON DE REFERENCIA SOLAMENTE

DIBUJADO POR:	JRUPERT	04-26-2011
APROBADO POR:	JRUPERT	04-26-2011
TERCER ANGULO DE PROYECCION	⊕	FECHA EDS: 11-11-2011 REV. FORMATO: G
CONFIDENCIAL: ESTE DIBUJO Y SU INFORMACION SON PROPIEDAD DE USO EXCLUSIVO Y CONFIDENCIAL DE REGAL-BELOIT CORPORATION. Y NO DEBERAN SER REVELADOS, DUPLICADOS, DISTRIBUIDOS O USARSE DE OTRA MANERA SIN EL CONSENTIMIENTO ESCRITO DE REGAL-BELOIT CORPORATION. -TODOS LOS DERECHOS RESERVADOS.		



DESCRIPCION:	OUTLINE MODEL-RFHP-48FR
TAMAÑO:	C
NUMERO DE DIBUJO:	436A
ESCALA:	NONE
HOJA:	1

4

3

2

1

4

3

2

1

总技术要求:

轴跳动: .001[.03]/1[25.4]外伸轴

轴承: 球轴承

安装位置: 全方位

电气数据:

过载保护: 自动复位 (T. I. 7AM 036)

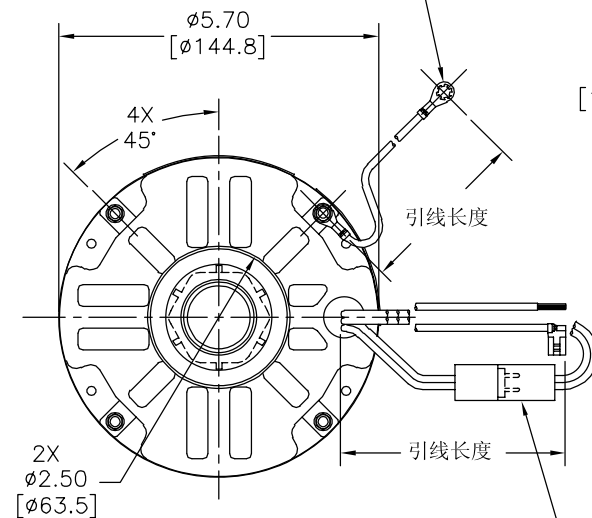
引线: 18# (美制标准), 厚.06 [1.5] PVC 105° C 绝缘

换向线: 18# (美制标准), 厚.03 [0.8] XLP 125° C 绝缘

接地线: 18# (美制标准), 厚.03[0.8]绿色绝缘

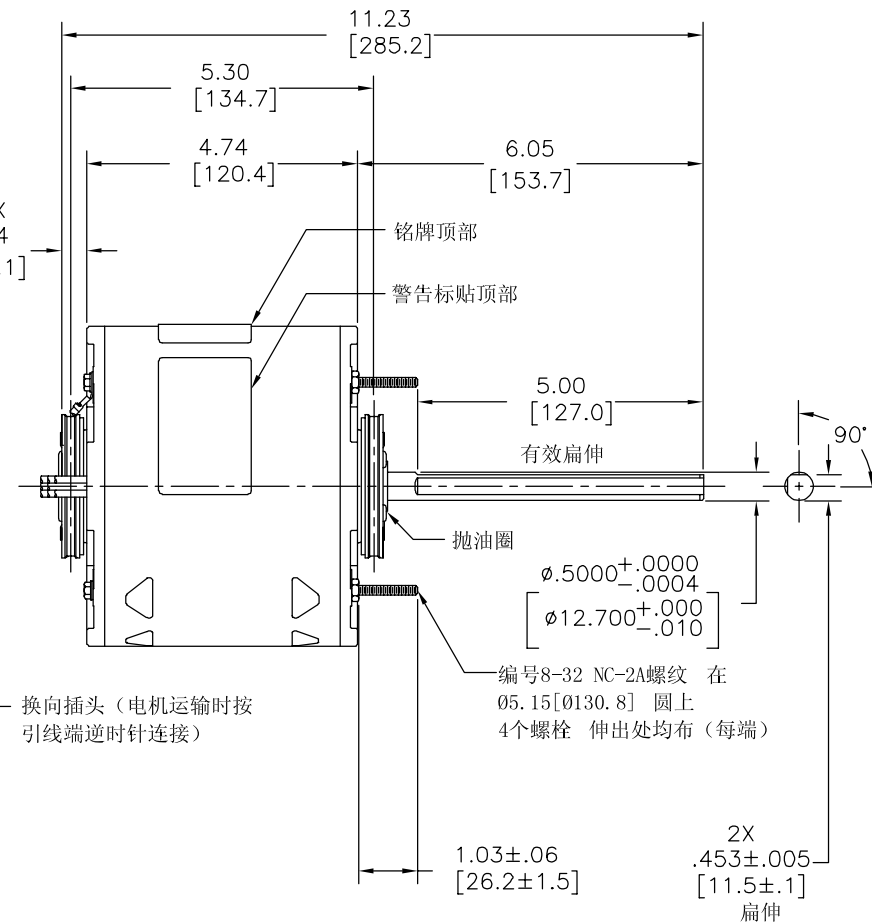
接地线 (端子不能超出电机的外圆)

REV.  
ROT.



换向插头 (电机运输时按  
引线端逆时针连接)

版本	ECO	编制	日期	批准	日期
B	0025460	VMIJARES	04-24-2012	TREYES	04-24-2012



绿色 (接地线)	11.0/13.0 [279/330]	#10 带环线
黑/白	3.0/5.0 [76/127]	翻边插头
棕	22.0/24.0 [559/610]	.25 [6.4] 旗形插
棕/白	22.0/24.0 [559/610]	.25 [6.4] 旗形插
白	22.0/24.0 [559/610]	.50 [12.7] 剥皮
黑	22.0/24.0 [559/610]	.50 [12.7] 剥皮
颜色	长度	端子或剥线长度

无引线端机壳	
无引线端端盖	密封
有引线端机壳	
有引线端端盖	开放

用户	DISTRIBUTION SERVICE
----	----------------------

铭牌数据	外部数据线
MODEL NO.: F48Y39A01 CUST. P/N: 436A HP: 1/3 ROT.: REVERSIBLE RPM: 1075 TYPE: UF FRAME: 48 VOLTS: 460 PH: 1 AMPS: 1.0 HZ: 60 INS.: B AMB.: 60° C DUTY: AIR OVER CAP.: 5 MFD/370 V ENCL: SEMI-ENCL. UL LOGO CSA LOGO THERMALLY PROTECTED	SEP. CAP. BROWN BRN/WHT WHITE BLACK LINE ROTATION BLACK BLACK WHITE WHITE CCWLE BLACK WHITE WHITE BLACK CWLE

性能曲线编号	转矩在 1075 RPM (25° C)	批准样品	UL部件		CSA	
C32627	31.0 OZ. FT.	0601680B	文件号	指南	文件号	指南
			E46412	PRGY2	LR43341	4211-01

- 形位公差
- 平面度
- 直线度
- ∠ 倾斜度
- ⊥ 垂直度
- // 平行度
- 圆度
- ⊘ 圆柱度
- △ 面轮廓度
- ∩ 线轮廓度
- ↗ 圆跳动
- ⊕ 位置度
- ⊙ 同轴度
- ≡ 对称度

ASME Y14.5M 1994

A. O. SMITH在个别领域为客户  
提供技术支持。鉴于A. O. SMITH  
未收到任何涉及电机使用和  
应用环境的数据, 电机的适用性  
由客户自己决定。

未注公差尺寸仅供参考。

绘图:	JRUPERT	04-26-2011
批准:	JRUPERT	04-26-2011
第三角投影		图纸格式发布日期 11-11-2011 图纸格式版本 G
机密: 本图纸及相关信息所有权归REGAL-BELOIT CORPORATION 未经REGAL-BELOIT CORPORATION书面授权, 不得泄露、 复制、传播或作其他用途。—版权所有		



名称	OUTLINE MODEL-RFHP-48FR	
图幅	C	图号 436A
比例	NONE	页号 1

4

3

2

1