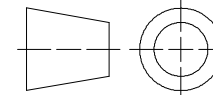




Gainsborough, Lincs DN21 1XU. UK
Tel.: +44(0)1427 614141 Fax.: +44(0)1427 617513

PROPRIETARY INFORMATION NOTICE:
THIS DOCUMENT IS AND CONTAINS CONFIDENTIAL TRADE SECRET INFORMATION OF THE COMPANY AND REMAINS THE PROPERTY OF THE COMPANY AND IS TO BE RETURNED UPON REQUEST. NEITHER IT NOR THE INFORMATION IT CONTAINS MAY BE REPRODUCED OR DISCLOSED TO PERSONS NOT HAVING A NEED-TO-KNOW CONSISTENT WITH THE PURPOSE OF THE LOAN OF THE DOCUMENT.

THIRD ANGLE PROJECTION



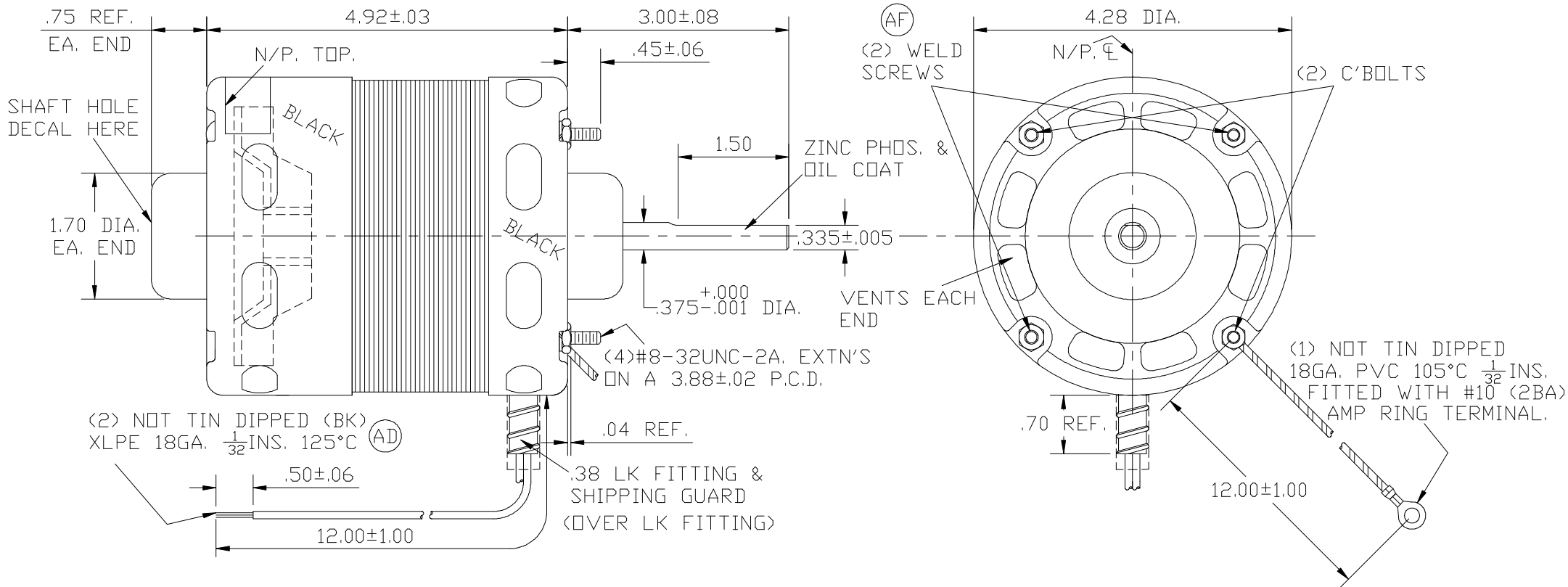
CB3J015N"

STOCK NO.: 394

CUSTOMER IS SOLELY RESPONSIBLE FOR MOTOR PERFORMANCE AND SUITABILITY IN APPLICATIONS FOR CUSTOMER'S USES.

BRG PRELOAD (OLE)
(CUSHIONED)

TOL. ±.015



ALL DIMENSIONS IN INCHES UNLESS STATED.

ROTATION CWLE-CWSE

ISSUE 'AH' 16 JUL 12

REGAL - LAVERGNE

(AH)

NAMEPLATE DATA:



SER DDDYYGB-sonum-J015 MOD CB3J015N" STOCK No 394
115V 60HZ 2.2A 1/15HP 1050RPM 1PH CLASS B INS.
BB. MAX AMB. 40°C CONT A.O.
THERMALLY PROTECTED. MADE IN UK. WARRANTY VOID IF REMOVED