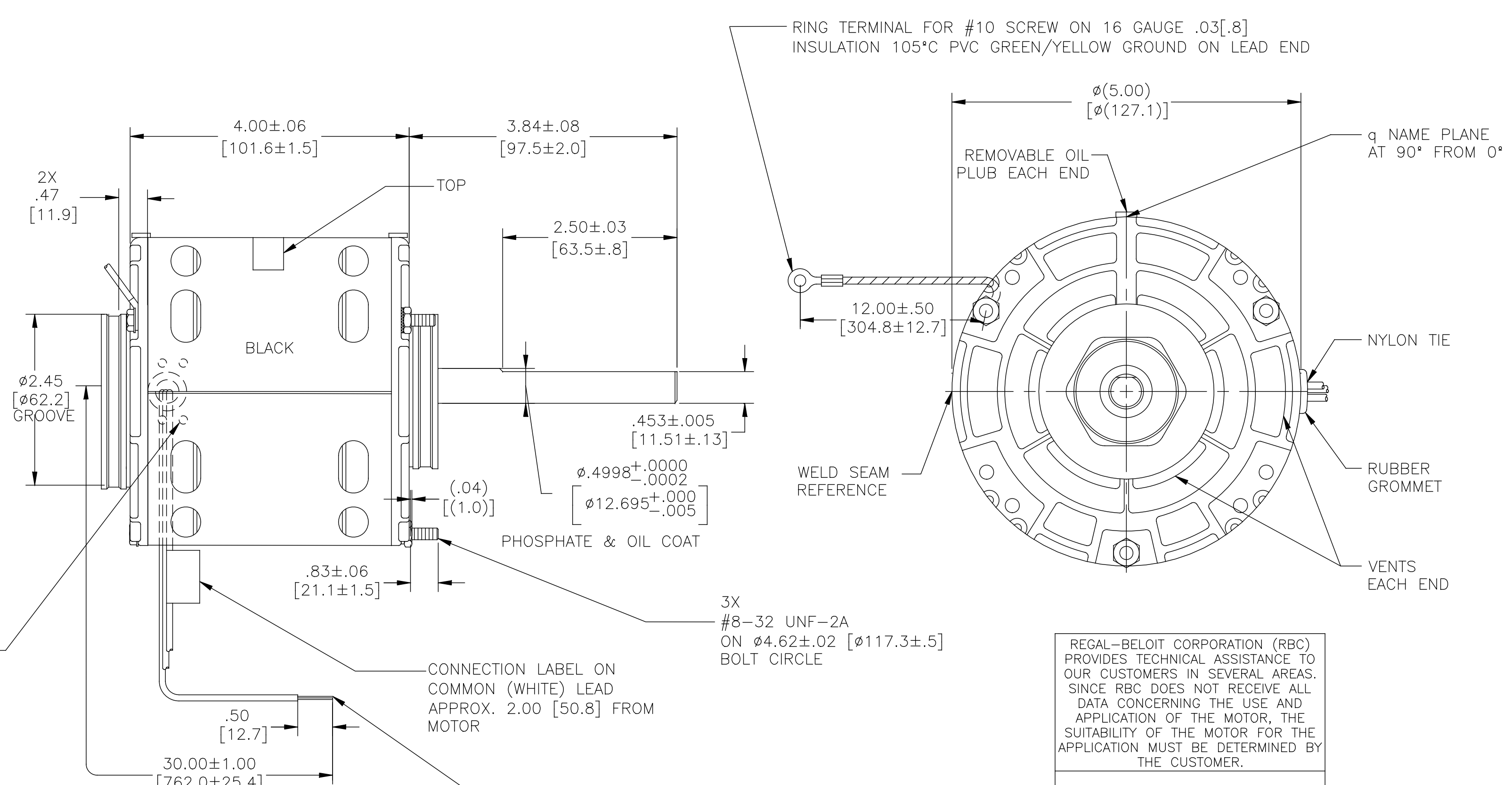


CUSTOMER IS SOLELY RESPONSIBLE FOR MOTOR PERFORMANCE AND SUITABILITY IN APPLICATIONS FOR CUSTOMER'S USE

END PLAY .005 [.13]MIN-.040 [1.02] MAXIMUM
 MAXIMUM SHAFT RUN OUT .001 [.03]PER INCH
 MAXIMUM RUN OUT NOT TO EXCEED .010 [.25]



4X
 $\phi .136^{+.002}_{-.003}$
 $\phi 3.45^{+.05}_{-.08}$
 HOLES FOR BX CONNECTOR

CONNECTION LABEL ON COMMON (WHITE) LEAD APPROX. 2.00 [50.8] FROM MOTOR

3X
 #8-32 UNF-2A
 ON $\phi 4.62 \pm .02$ [$\phi 117.3 \pm .5$]
 BOLT CIRCLE

4X
 NOT TIN DIPPED 18 GAUGE
 03[.8] INSULATION 125°C
 CROSS LINKED LEADS

REGAL-BELOIT CORPORATION (RBC) PROVIDES TECHNICAL ASSISTANCE TO OUR CUSTOMERS IN SEVERAL AREAS. SINCE RBC DOES NOT RECEIVE ALL DATA CONCERNING THE USE AND APPLICATION OF THE MOTOR, THE SUITABILITY OF THE MOTOR FOR THE APPLICATION MUST BE DETERMINED BY THE CUSTOMER.

DIMENSIONS WITHOUT TOLERANCES ARE FOR REFERENCE ONLY.

CONNECTION LABEL
 63T4733-210

ROT: CCWLE-CWSE

NAMEPLATE DATA:



SER. DATE & PO# PLT LTR MOD DA3EJ063N# STK NO 385
 VOLTS 115 HZ 60 AMPS 6.8
 RPM1050 SP3 PH1 CAP
 INS CL AMB °C HP CONT A.O. ←ROTATION→
 BRG SLV BK HI 6.8A 1/5HP
 BU MED 5.3A 1/6HP ASSEMBLED IN MEXIC
 RED LOW 4.2A 1/8HP WH COM

ELECTRICALLY PER SAMPLE
 S-4335C EXCEPT
 CONSTRUCTION

DRAWING REVISION	REVISION BY	DATE
R	LISA.ZHU	04-14-2017
ECO	APPROVED BY	DATE
ECO-0121615	GELINE.ZHAO	04-14-2017
ECO DESCRIPTION		
NEW MODEL RELEASE		

COPYRIGHT REGAL-BELOIT AMERICA, INC. ALL RIGHTS RESERVED. PROPRIETARY AND CONFIDENTIAL INFORMATION - THIS DOCUMENT IS THE PROPERTY OF REGAL-BELOIT AMERICA, INC. (OWNER) AND CONTAINS OWNER'S PROPRIETARY INFORMATION. ANY PERSON, CORPORATION OR OTHER FIRM RECEIVING IT IS DEEMED, BY RECEIVING IT, TO AGREE THAT IT, AND/OR ANY PART OF IT, SHALL NOT BE DISCLOSED TO ANY PERSON, CORPORATION OR OTHER ENTITY, DUPLICATED, AND/OR USED, EXCEPT AS EXPRESSLY APPROVED IN WRITING IN ADVANCE BY OWNER. THIS DOCUMENT SHALL BE RETURNED TO OWNER UPON REQUEST. IT MAY BE SUBJECT TO CERTAIN RESTRICTIONS UNDER APPLICABLE EXPORT CONTROL LAWS AND REGULATIONS.

DRAWN BY:	DLC
DATE:	10-20-1999
APPROVED BY:	DRB
DATE:	10-20-1999
PROCESS/FINISH	-
THIRD ANGLE PROJECTION	

REGAL™ Regal Beloit America, Inc.	
DESCRIPTION	MODEL-RFHP-42FR OUTLINE
MATERIAL	-
SIZE	DA3J7063
DWG NO	-
SHEET	1

