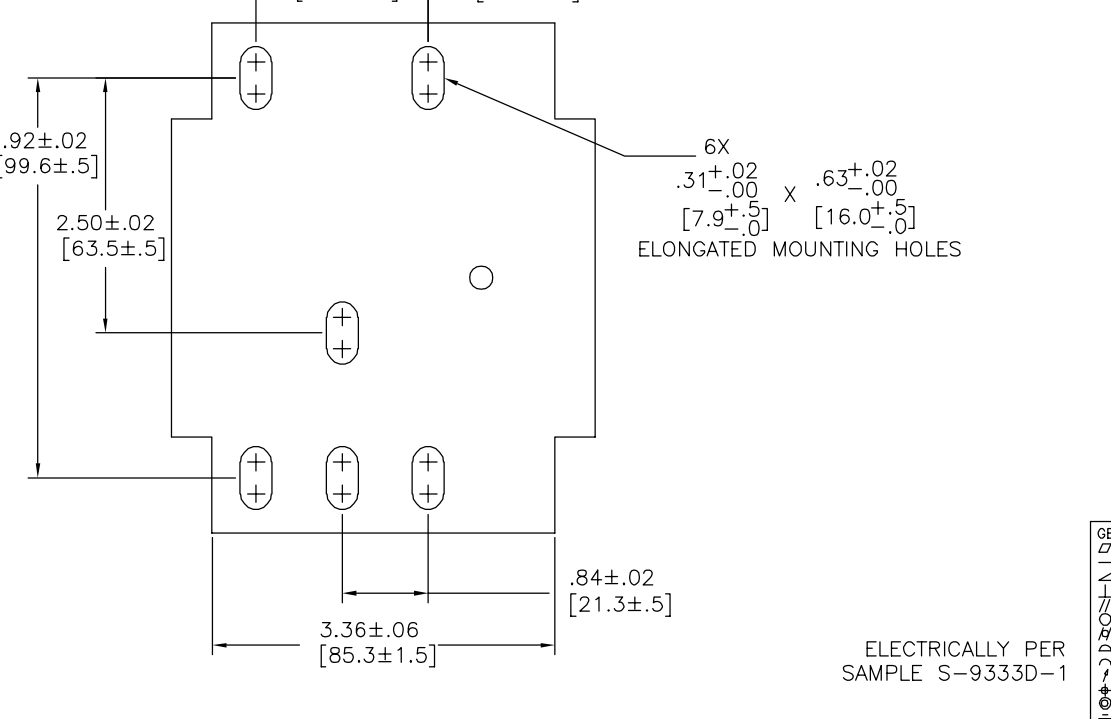
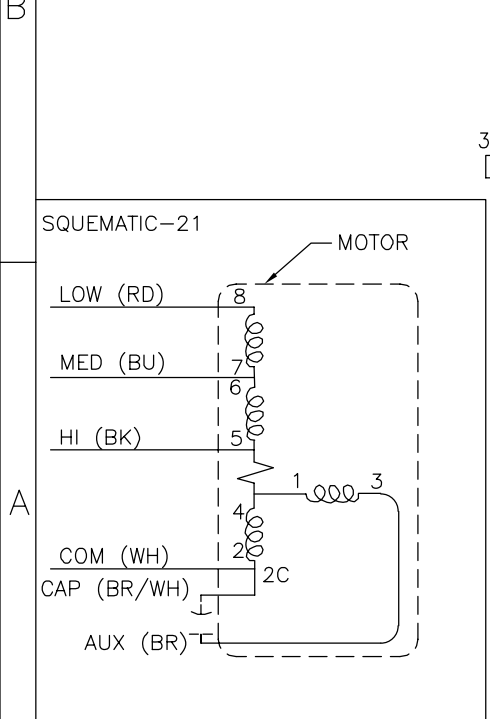
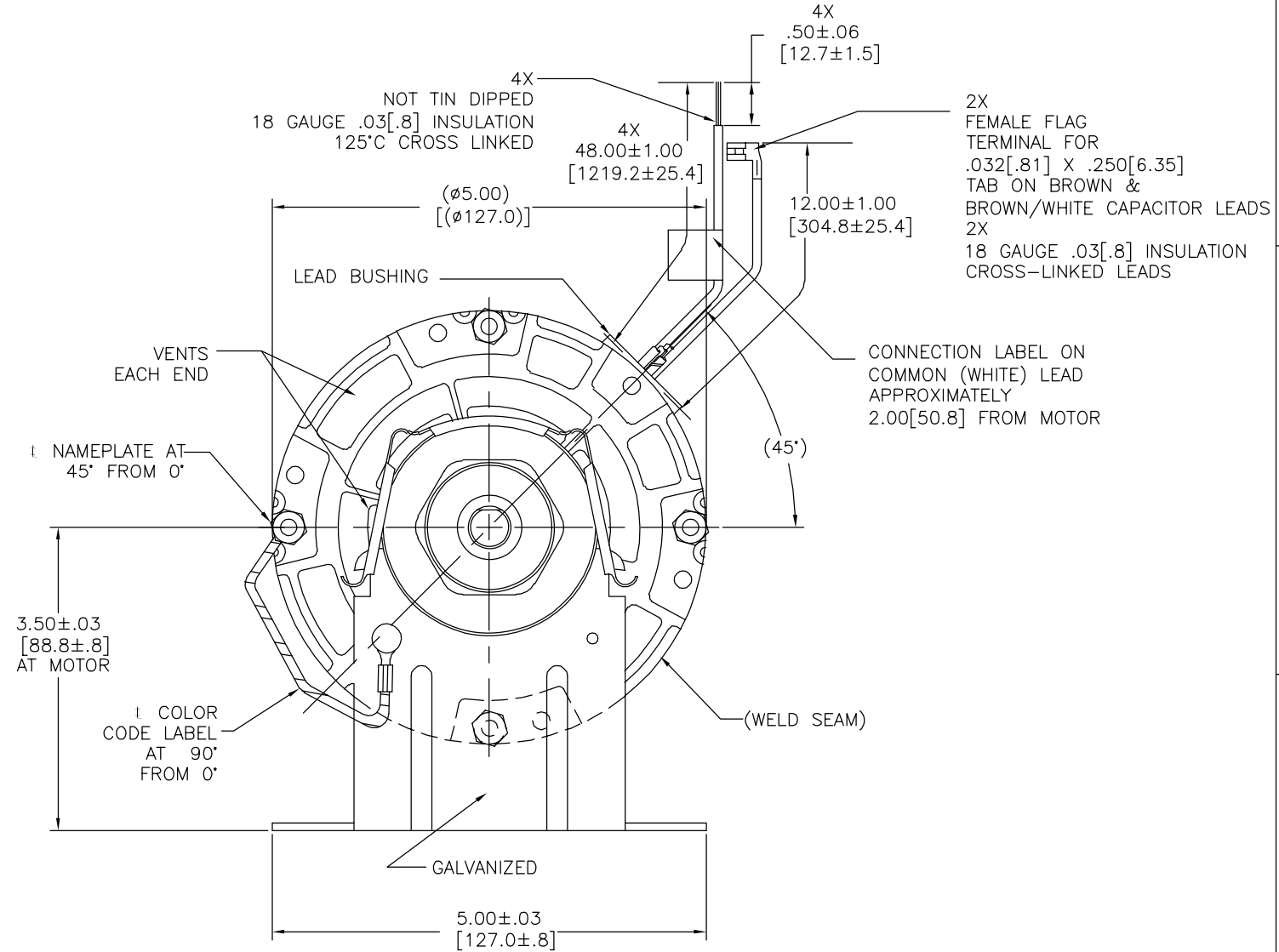
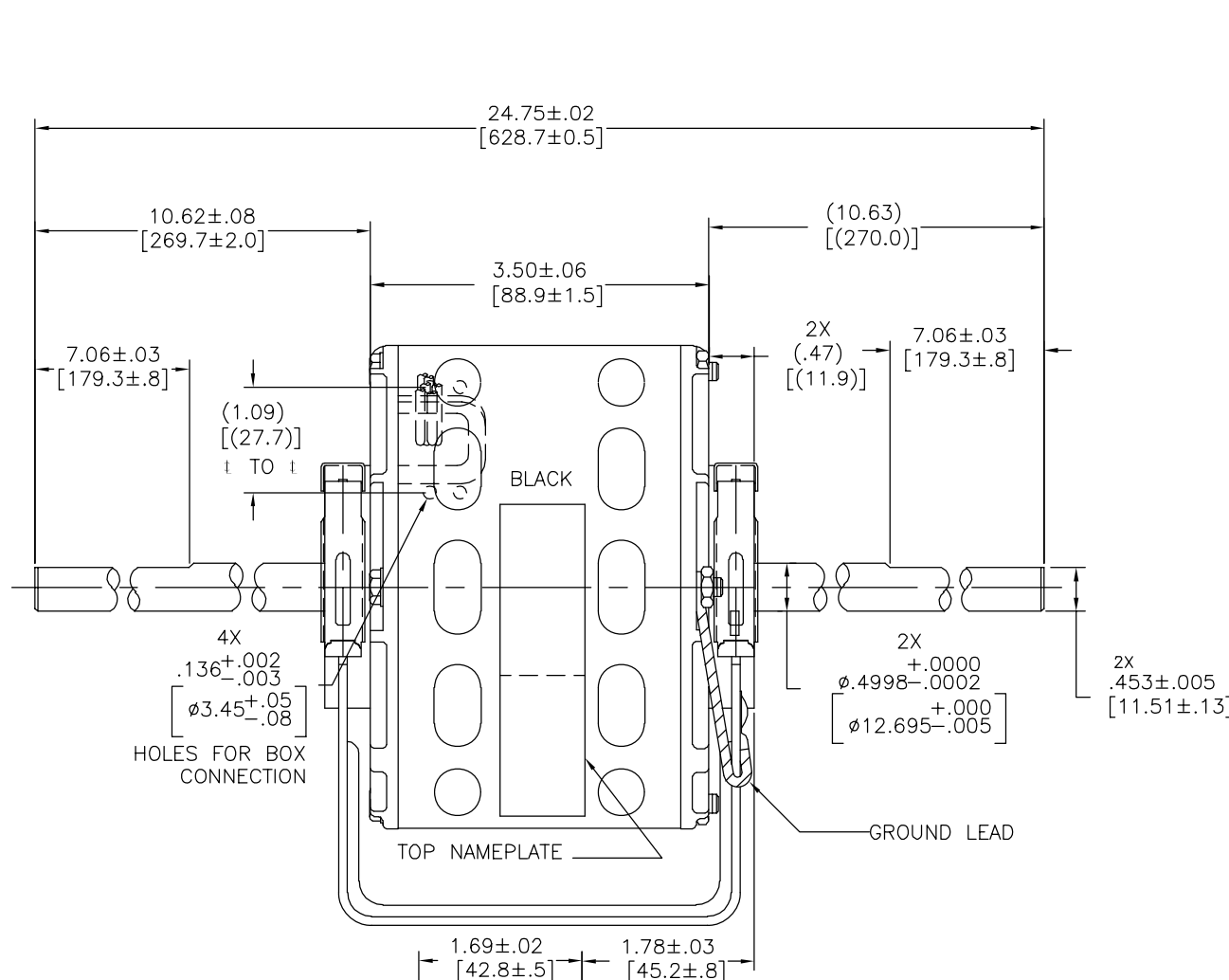


| REV | ECO     | REV BY    | DATE       | APPD      | DATE       |
|-----|---------|-----------|------------|-----------|------------|
| H   | 0028996 | E.SINECIO | 10-16-2012 | GALVIDREZ | 10-16-2012 |

CUSTOMER IS SOLELY RESPONSIBLE FOR MOTOR PERFORMANCE AND SUITABILITY IN APPLICATIONS FOR CUSTOMER'S USES.

ENDPLAY .005[.13] MINIMUM - .040[1.02] MAXIMUM  
 MAXIMUM SHAFT RUNOUT .001[.02] PER INCH  
 MAXIMUM RUN OUT NOT TO EXCEED .010[.25]




ELECTRICALLY PER SAMPLE S-9333D-1

CONNECTION LABEL: 63T7433-14

ROT: CWLE

NAMEPLATE DATA:



Tipp City, OH  
THERMALLY PROTECTED

63T7453-12  
BK-HI .81A 1/10HP  
BU-MED .56A 1/15HP  
RED-LOW .44A 1/20HP  
WH-COM

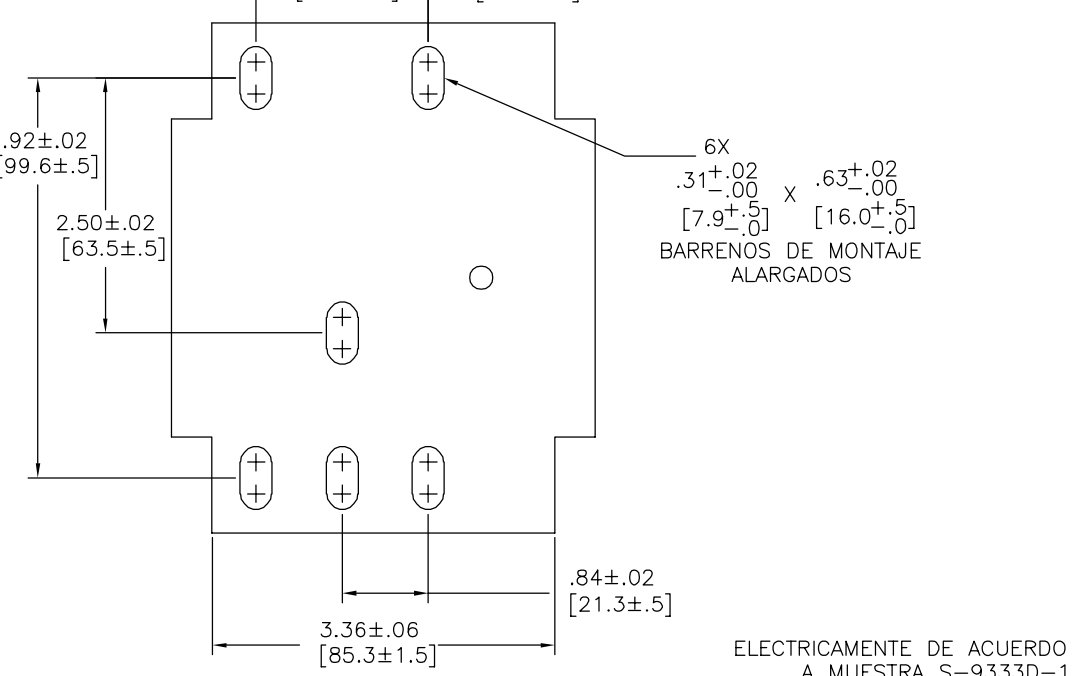
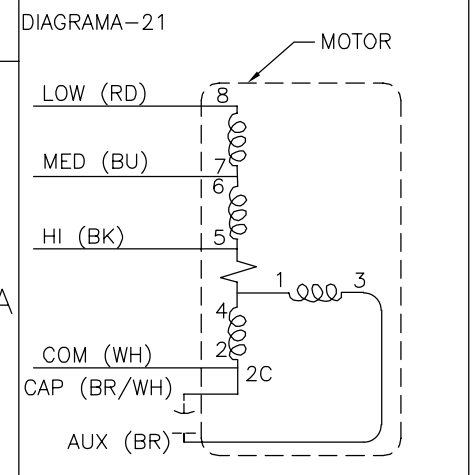
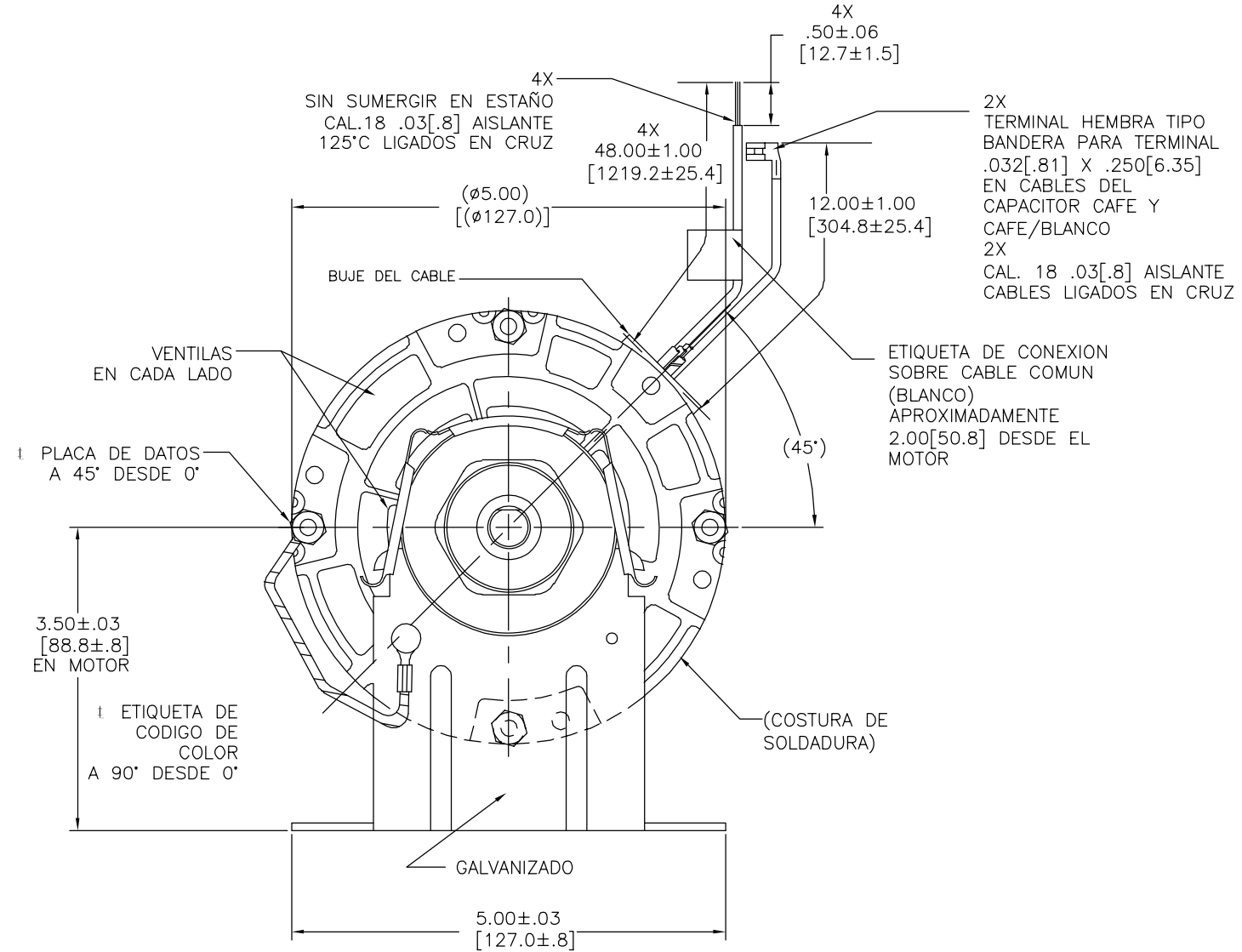
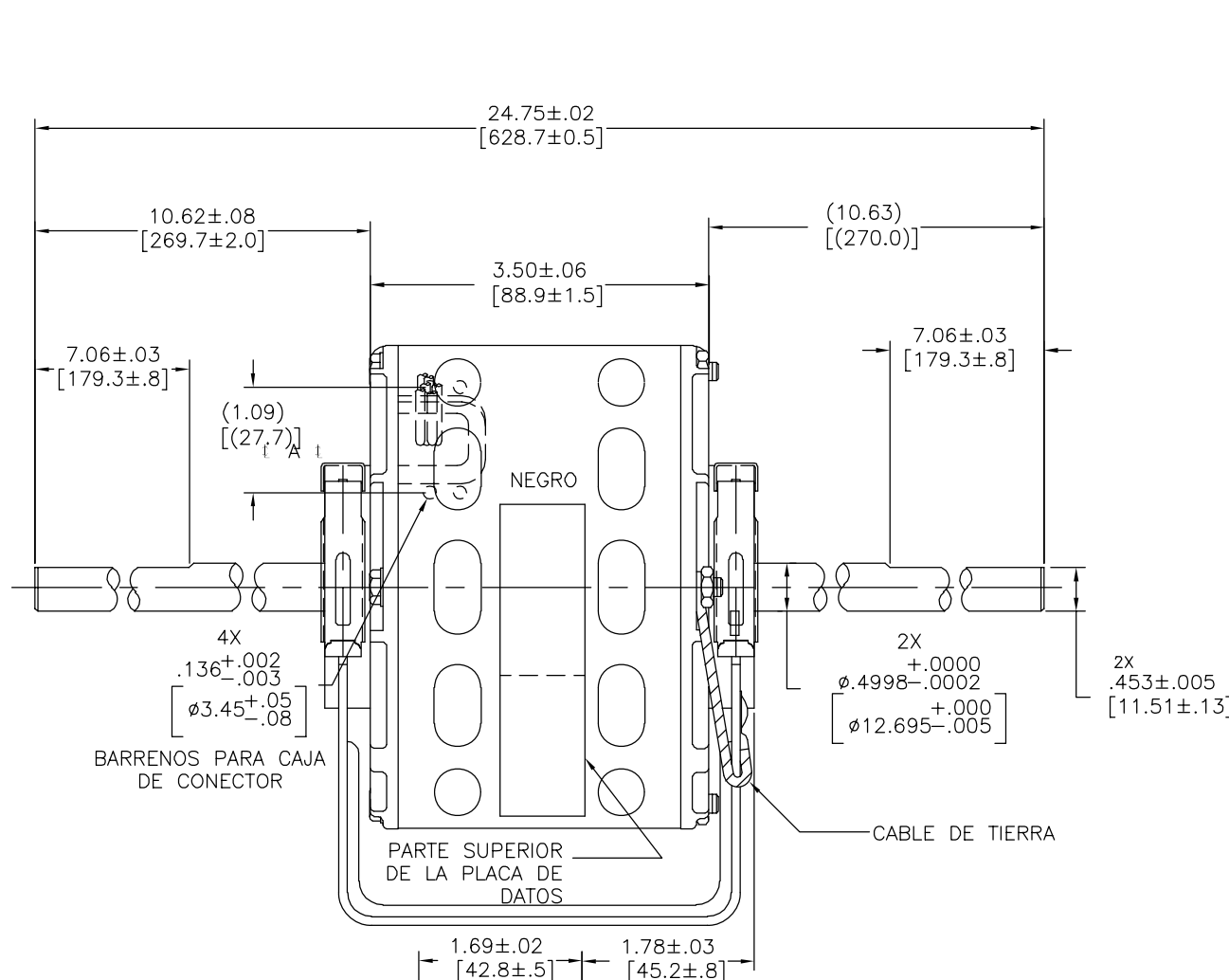
SER. DATE & PO# PLT LTR MOD DE3D384N' STK NO. 381  
VOLTS 208-230 HZ 60 AMPS .81  
RPM1075 SP PH1 CAP5MFD 370VAC  
INS CL B AMB °C HP CONT A0  
BRG SLV ASSEMBLED IN MEXICO

|  |   |                        |              |  |   |
|--|---|------------------------|--------------|--|---|
| GEOMETRIC CHARACTERISTICS & SYMBOLS<br>▽ FLATNESS<br>— STRAIGHTNESS<br>∠ ANGULARITY<br>⊥ PERPENDICULARITY (SQUARENESS)<br>// PARALLELISM<br>○ ROUNDNESS (CIRCULARITY)<br>Ⓢ CYLINDRICITY<br>≡ PROFILE OF ANY SURFACE<br>⤴ PROFILE OF ANY LINE<br>⤵ RUNOUT<br>⊕ TRUE POSITION<br>⊙ CONCENTRICITY<br>= SYMMETRY | UNLESS OTHERWISE SPECIFIED DIM. TOLERANCES ARE AS FOLLOWS:<br>INCH ±.1 ±.02 ±.005 ±.0005<br>mm ±0.5 ±0.13 ±0.013<br>ANG. ±.50 DEG<br>REMOVE BURRS & BREAK SHARP EDGES:<br>INCH .003-.015 mm 0.1-0.4<br>CORNER FILLETS TO:<br>INCH .020 mm 0.5<br>MACHINE SURFACES:<br>INCH 125° mm 3.2° | DR BY: TLB             | 12-09-2012   | REGAL<br><b>REGAL-BELOIT CORPORATION</b> | DESCRIPTION<br>MODEL-RFHP-42FR<br>OUTLINE |
|  |   | APPD: DTS              | 12-09-2000   |  |   |
| CONFIDENTIAL: THIS DRAWING AND ITS INFORMATION ARE THE EXCLUSIVE AND CONFIDENTIAL PROPERTY OF REGAL-BELOIT CORPORATION AND ARE NOT TO BE DISCLOSED, DUPLICATED, DISTRIBUTED OR OTHERWISE USED WITHOUT THE WRITTEN CONSENT OF REGAL-BELOIT CORPORATION. -ALL RIGHTS RESERVED.                                 |   | THIRD ANGLE PROJECTION | FORMAT REV H | SCALE NONE                               | SHEET 1                                   |

|               |                         |                   |                         |                   |
|---------------|-------------------------|-------------------|-------------------------|-------------------|
| REVISION: ECO | REVISADO POR: E.SINECIO | FECHA: 10-16-2012 | APROBADO POR: GALVIDREZ | FECHA: 10-16-2012 |
| H             | 0028996                 |                   |                         |                   |

EL CLIENTE ES UNICAMENTE RESPONSABLE POR EL DESEMPEÑO DEL MOTOR Y APLICACIONES APROPIADAS PARA SU USO

JUEGO AXIAL .005[.13] MINIMO - .040[1.02] MAXIMO  
 OSCILACION MAXIMA EN FLECHA .001[.02] POR PULGADA  
 OSCILACION MAXIMA NO EXCEDERA DE .010[.25]



ETIQUETA DE CONEXION: 63T7433-14

ROT: CWLE

PLACA DE DATOS:

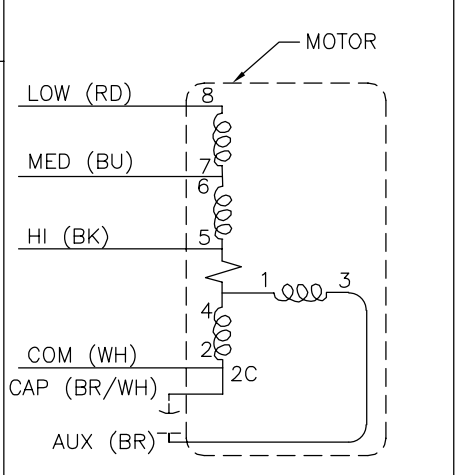
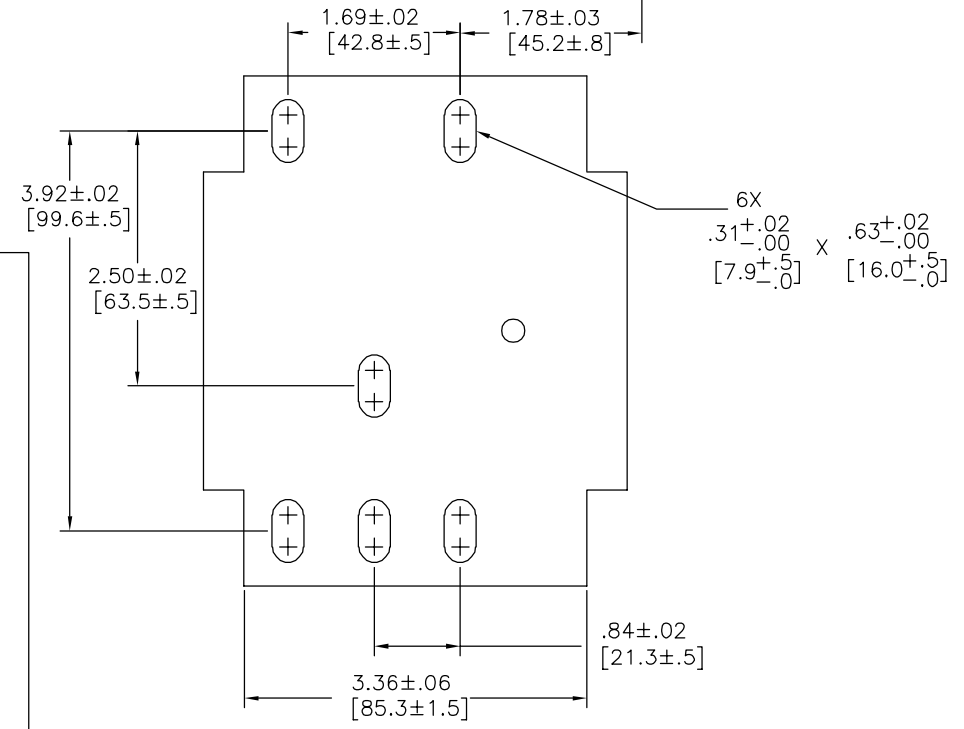
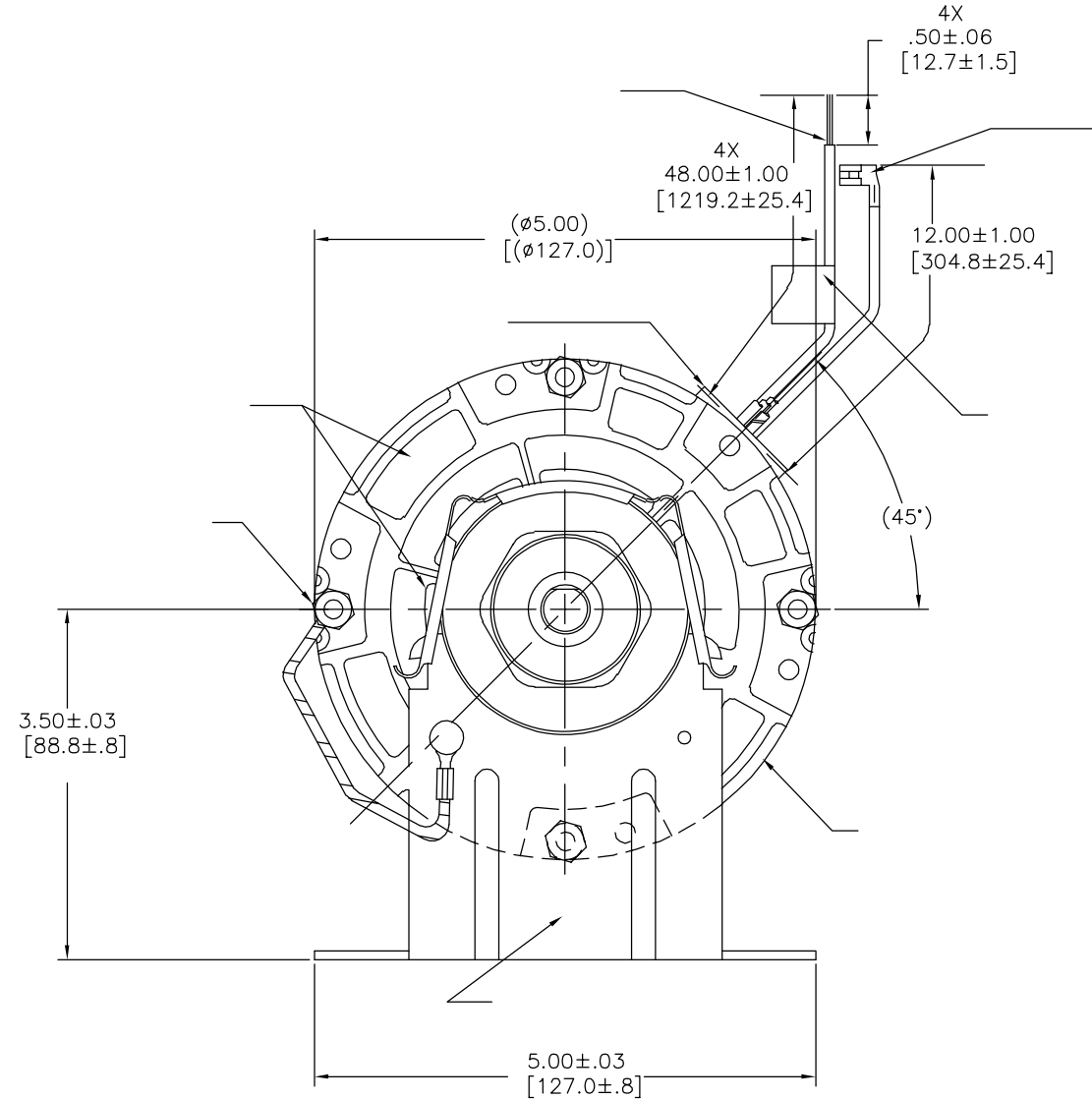
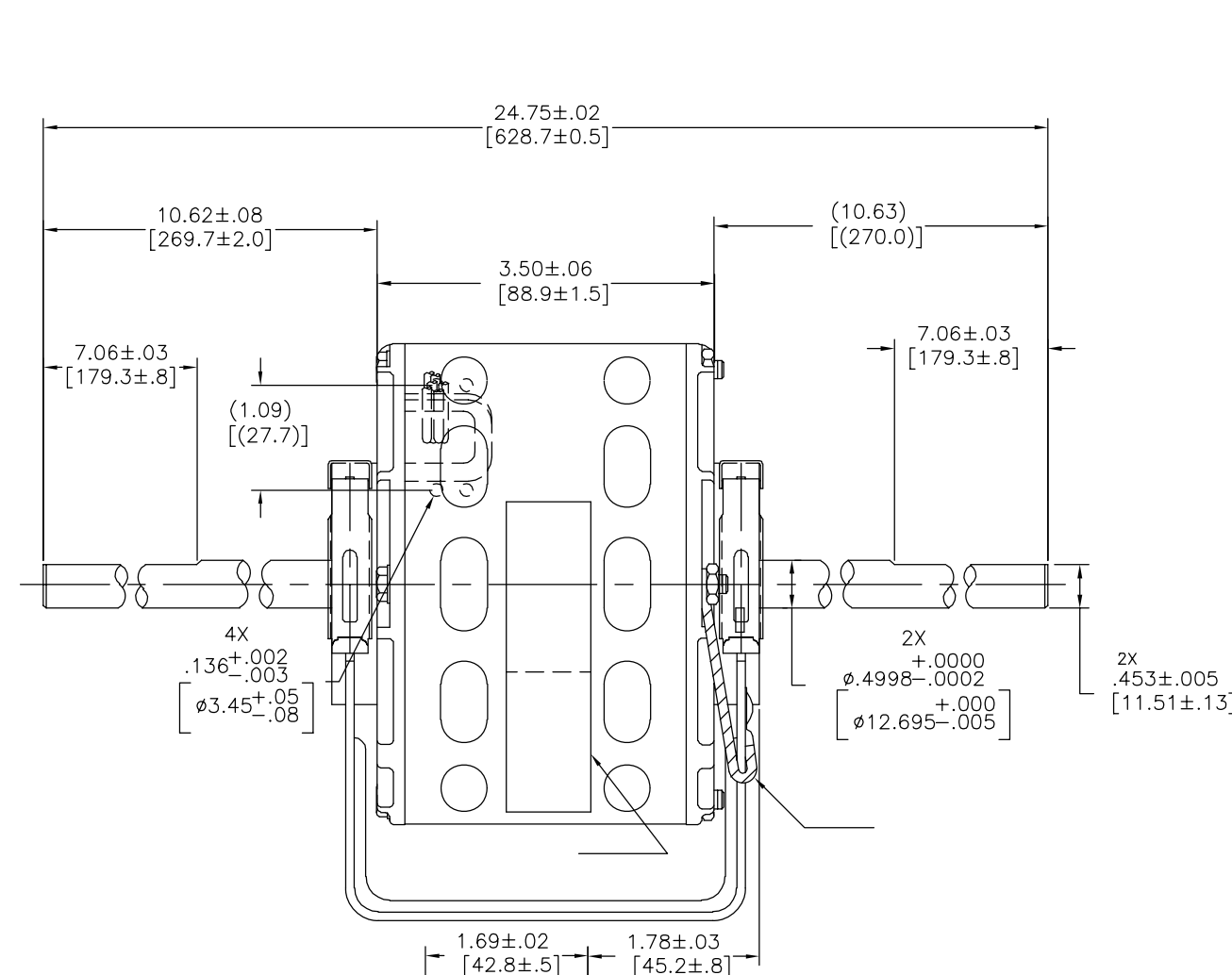
Tipp City, OH THERMALLY PROTECTED

63T7453-12  
 NEGRO-ALTO .81A 1/10HP  
 AZUL-MEDIO .56A 1/15HP  
 ROJO-BAJO .44A 1/20HP  
 BLANCO-COMUN

SER. DATE & PO# PLT LTR MOD DE3D384N' STK NO. 381  
 VOLTS 208-230 HZ 60 AMPS .81  
 RPM1075 SP PH1 CAP5MFD 370VAC  
 INS CL B AMB °C HP CONT AO → ROTATION →  
 BRG SLV ASSEMBLED IN MEXICO

|   |  |  |  |
|---|--|--|--|
| CARACTERISTICAS DE GEOMETRIA Y SIMBOLOS:<br>□ PLANICIDAD<br>- RECTITUD<br>∠ ANGULARIDAD<br>⊥ PERPENDICULARIDAD (A ESCUADRA)<br>// PARALELISMO<br>○ REDONDEZ (CIRCULARIDAD)<br>∅ CILINDRICIDAD<br>∆ PERFIL DE CUALQUIER SUPERFICIE<br>∩ PERFIL DE CUALQUIER LINEA<br>⊕ POSICION REAL<br>⊙ CONCENTRICIDAD<br>= SIMETRIA | A MENOS QUE SE ESPECIFIQUE DE OTRA MANERA, LAS TOLERANCIAS DE LAS DIMS, SON LAS SIGUIENTES:<br>PULG ±.1 ±.02 ±.005 ±.0005<br>mm ±0.5 ±0.13 ±0.013<br>ANG ±50 GRADOS<br>ELIMINAR REBABAS Y ORILLAS FILOSAS DEL BORDE.<br>FILETEAR ESQUINA: PULG .020 mm 0.5<br>MAQUINAR SUPERFICIES PULG 125 mm 3.2<br>DIMS METRICAS MOSTRADAS [PARENTESIS] | DIBUJADO POR: TLB<br>12-09-2012<br>APROBADO POR: DTS<br>12-09-2000<br>TERCER ANGULO DE PROYECCION<br>CONFIDENCIAL: ESTE DIBUJO Y SU INFORMACION SON PROPIEDAD DE USO EXCLUSIVO Y CONFIDENCIAL DE REGAL-BELOIT CORPORATION, Y NO DEBERAN SER REVELADOS, DUPLICADOS, DISTRIBUIDOS O USARSE DE OTRA MANERA SIN EL CONSENTIMIENTO ESCRITO DE REGAL-BELOIT CORPORATION. -TODOS LOS DERECHOS RESERVADOS. | DESCRIPCION: MODEL-RFHP-42FR OUTLINE<br>TAMAÑO: D NUMERO DE DIBUJO: DE3D7384<br>ESCALA: NONE HOJA: 1 |
|---|--|--|--|

|    |         |           |            |          |            |
|----|---------|-----------|------------|----------|------------|
| 版本 | ECO     | 编制        | 日期         | 批准       | 日期         |
| H  | 0028996 | E.SINECIO | 10-16-2012 | GALVIREZ | 10-16-2012 |



ROT: CWLE

**Century** Tipp City, OH  
THERMALLY PROTECTED

SER. DATE & PO# PLT LTR MOD DE3D384N' STK NO. 381  
VOLTS 208-230 HZ 60 AMPS .81  
RPM1075 SP PH1 CAP5MFD 370VAC  
INS CL B AMB °C HP CONT A0 —ROTATION—  
BRG SLV ASSEMBLED IN MEXICO

|      |  |  |     |                     |
|------|--|--|-----|---------------------|
| 形位公差 | 除另有注明  | 绘图:                                      | TLB | 12-09-2012          |
| 平面度  | 尺寸公差如下:                                      | 批准:                                      | DTS | 12-09-2000          |
| 直线度  | 英寸 $\pm .1$ $\pm .02$ $\pm .005$ $\pm .0005$ | 第三角投影                                    |     | 图底格式发布日期 11-11-2011 |
| 倾斜度  | 毫米 $\pm 0.5$ $\pm 0.13$ $\pm 0.013$          |  |     | 图底格式版本 H            |
| 垂直度  | 角度 $\pm .50$ 度                               | 机密: 本图纸及相关信息所有权归REGAL-BELOIT CORPORATION |     |                     |
| 平行度  | 清理毛刺和尖棱                                      | 未经REGAL-BELOIT CORPORATION书面授权, 不得泄露、    |     |                     |
| 圆度   | 英寸: .003-.015 毫米: 0.1-0.4                    | 复制、传播或作其他用途。—版权所有—                       |     |                     |
| 圆跳度  | 内圆角  |  |     |                     |
| 面轮廓度 | 英寸: .020 毫米: 0.5                             |  |     |                     |
| 面轮廓度 | 表面粗糙度  |  |     |                     |
| 线轮廓度 | 圆跳动  |  |     |                     |
| 位置度  | 位置度  |  |     |                     |
| 对称度  | 同轴度  |  |     |                     |

|    |      |    |          |
|----|------|----|----------|
| 图号 | D    | 图号 | DE3D7384 |
| 比例 | NONE | 图号 | 1        |

|    |                            |
|----|----------------------------|
| 名称 | MODEL-RFHP-42FR<br>OUTLINE |
| 比例 | NONE                       |

|    |      |    |          |
|----|------|----|----------|
| 图号 | D    | 图号 | DE3D7384 |
| 比例 | NONE | 图号 | 1        |