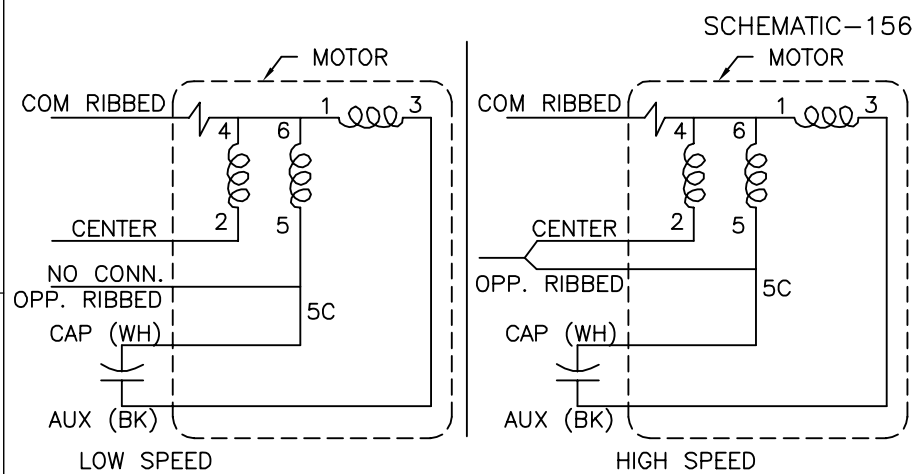
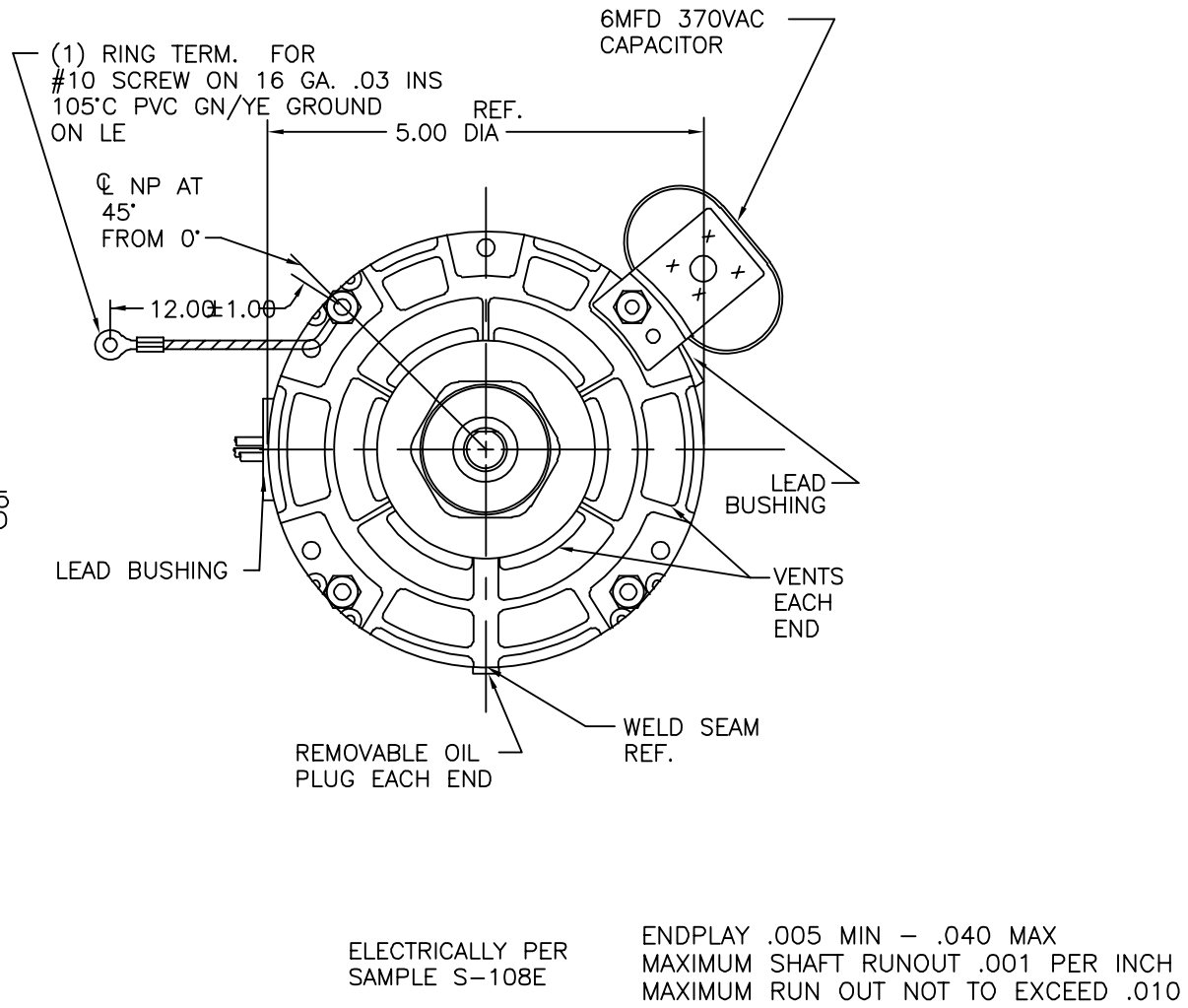
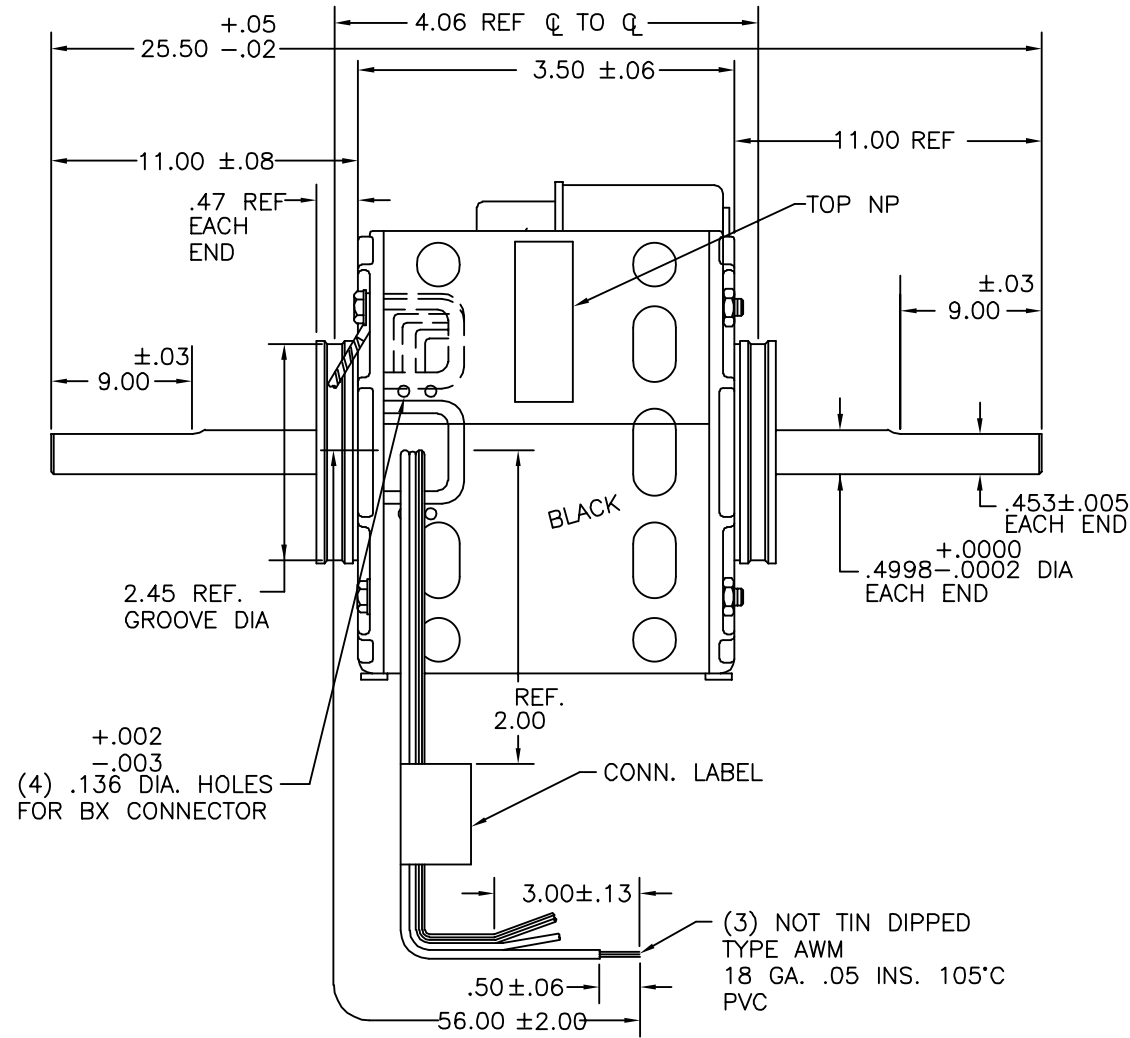


CUSTOMER IS SOLELY RESPONSIBLE FOR MOTOR PERFORMANCE AND SUITABILITY IN APPLICATIONS FOR CUSTOMER'S USES.

DE3D7389N



ROT.: - CWLE

NAMEPLATE DATA:



TIPP CITY, OHIO THERMALLY PROTECTED

SER. DATE & P0# PLT LTR MOD DE3D7389N STOCK NO. 372A  
 VOLTS 115 HZ 60 AMPS .60/.64  
 RPM1060/500 SP PH1 CAP  
 INS CL AMB °C HP 1/25 CONT A.O. }-ROTATION-  
 BRG SLV ASSEMBLED IN MEXICO

CONN. LABEL  
63T7433-235

DRAWING REVISION	REVISION BY	DATE	TOLERANCES UNLESS OTHERWISE SPECIFIED
A	A. BAUGHMAN	02-09-2015	DEC. INCH mm ANGLE
ECO	APPROVED BY	DATE	.X ±0.1 (±2.5) ±0.5°
ECO-0071314	A. BAUGHMAN	02-09-2015	.XX ±0.02 (±0.51)
ECO DESCRIPTION			.XXX ±0.005 (±0.127)
NEW			.XXXX ±0.0005 (±0.0127)
<small>COPYRIGHT REGAL BELOIT AMERICA, INC. ALL RIGHTS RESERVED. PROPRIETARY AND CONFIDENTIAL INFORMATION - THIS DOCUMENT IS THE PROPERTY OF REGAL BELOIT AMERICA, INC. (OWNER) AND CONTAINS OWNER'S PROPRIETARY INFORMATION. ANY PERSON, CORPORATION OR OTHER FIRM RECEIVING IT IS DEEMED, BY RECEIVING IT, TO AGREE THAT IT, AND/OR ANY PART OF IT, SHALL NOT BE DISCLOSED TO ANY PERSON, CORPORATION OR OTHER ENTITY, DUPLICATED, AND/OR USED, EXCEPT AS EXPRESSLY APPROVED IN WRITING IN ADVANCE BY OWNER. THIS DOCUMENT SHALL BE RETURNED TO OWNER UPON REQUEST. IT MAY BE SUBJECT TO CERTAIN RESTRICTIONS UNDER APPLICABLE EXPORT CONTROL LAWS AND REGULATIONS.</small>			REMOVE BURRS & BREAK SHARP EDGES .003/.015 (0.076/3.81) CORNER FILLETS .02 (1.51) MACHINED SURFACES .125/ mm 3/2 INCH mm mm SHOWN IN [BRACKETS]

DRAWN BY:	DATE:
A. BAUGHMAN	02-09-2015
APPROVED BY:	DATE:
A. BAUGHMAN	02-09-2015
REFERENCE	THIRD ANGLE PROJECTION

Regal Beloit America, Inc.	
DESCRIPTION	MODEL-RFHP-42FR OUTLINE
MATERIAL	PROCESS/FINISH
SIZE DWG NO	C 372A
SHEET	1