

4

3

2

1

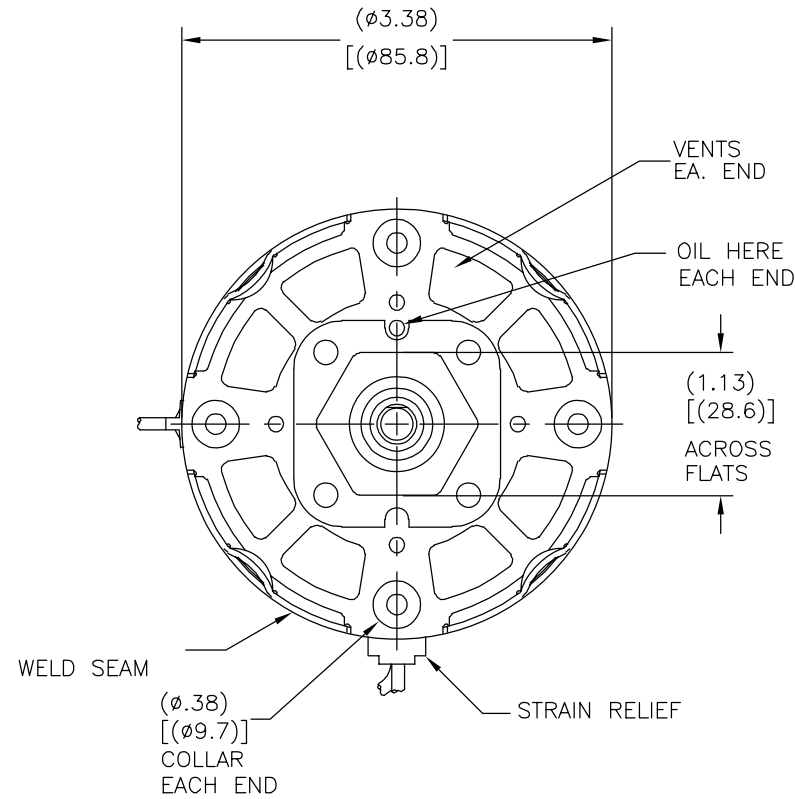
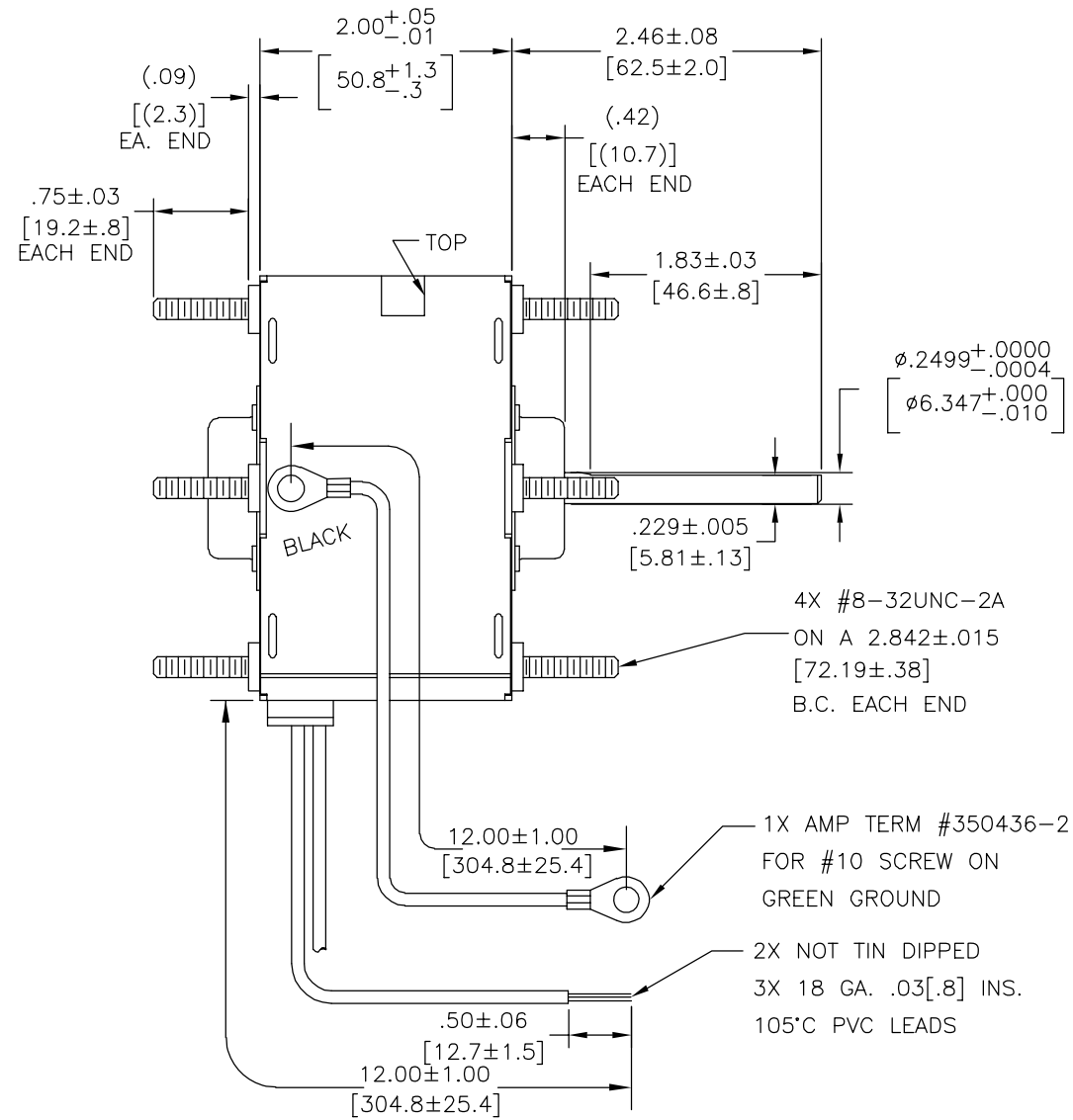
CUSTOMER IS SOLELY RESPONSIBLE FOR MOTOR PERFORMANCE AND SUITABILITY IN APPLICATIONS FOR CUSTOMER'S USES

REV	ECO	REV BY	DATE	APPD	DATE
AK	0027424	T.CUI	07-17-2012	B.SHEN	07-17-2012

END PLAY .04[1.0] MAX.

JA2C340N#

JA2C340N#



NAMEPLATE DATA:



THERMALLY PROTECTED

Tipp City, OH



SER. DAT ,PLT MOD JA2C340N#  
 115V 60HZ .62A 1550RPM 1/75HP 1PH CONT A.O.  
 ROTATION → STOCK NO. 370  
 ASSEMBLED IN MEXICO

ELECTRICALLY PER  
 SAMPLE S-6060D  
 EXCEPT CONST.

CWLE-CCWSE	BOM CHG [AH]
------------	--------------

AFTERMARKET

<p>GEOMETRIC CHARACTERISTICS &amp; SYMBOLS</p> <ul style="list-style-type: none"> <li>□ FLATNESS</li> <li>- STRAIGHTNESS</li> <li>∠ ANGULARITY</li> <li>⊥ PERPENDICULARITY (SQUARENESS)</li> <li>∥ PARALLELISM</li> <li>○ ROUNDNESS (CIRCULARITY)</li> <li>⊘ CYLINDRICITY</li> <li>△ PROFILE OF ANY SURFACE</li> <li>∩ PROFILE OF ANY LINE</li> <li>↗ RUNOUT</li> <li>⊕ TRUE POSITION</li> <li>◎ CONCENTRICITY</li> <li>≡ SYMMETRY</li> </ul> <p>ASME Y14.5M 1994</p>	<p>UNLESS OTHERWISE SPECIFIED DIM. TOLERANCES ARE AS FOLLOWS:</p> <p>INCH X XX XXX XXXX              ±.1 ±.02 ±.005 ±.0005              mm ±0.5 ±0.13 ±0.013</p> <p>ANG. ±.50 DEG              REMOVE BURRS &amp; BREAK SHARP EDGES:              INCH .003-.015 mm 0.1-0.4</p> <p>CORNER FILLETS TO:              INCH .020 mm 0.5</p> <p>MACHINE SURFACES:              INCH 125 mm 3.2</p> <p>METRIC DIMS. SHOWN IN [BRACKETS]</p>
---	---

<p>DR BY: DD</p> <p>APPD:</p> <p>THIRD ANGLE PROJECTION</p> <p>EDS DATE 11-11-2011              FORMAT REV H</p> <p>CONFIDENTIAL: THIS DRAWING AND ITS INFORMATION ARE THE EXCLUSIVE AND CONFIDENTIAL PROPERTY OF REGAL-BELOIT CORPORATION AND ARE NOT TO BE DISCLOSED, DUPLICATED, DISTRIBUTED OR OTHERWISE USED WITHOUT THE WRITTEN CONSENT OF REGAL-BELOIT CORPORATION. -ALL RIGHTS RESERVED.</p>
--

<p>REGAL REGAL-BELOIT CORPORATION</p> <p>DESCRIPTION              MODEL-SFHP-3.3              OUTLINE</p> <p>SIZE C DWG NO JA2C340</p> <p>SCALE NONE SHEET 1</p>
--

<p>DR BY: DD</p> <p>APPD:</p> <p>THIRD ANGLE PROJECTION</p> <p>EDS DATE 11-11-2011              FORMAT REV H</p> <p>CONFIDENTIAL: THIS DRAWING AND ITS INFORMATION ARE THE EXCLUSIVE AND CONFIDENTIAL PROPERTY OF REGAL-BELOIT CORPORATION AND ARE NOT TO BE DISCLOSED, DUPLICATED, DISTRIBUTED OR OTHERWISE USED WITHOUT THE WRITTEN CONSENT OF REGAL-BELOIT CORPORATION. -ALL RIGHTS RESERVED.</p>
--

4

3

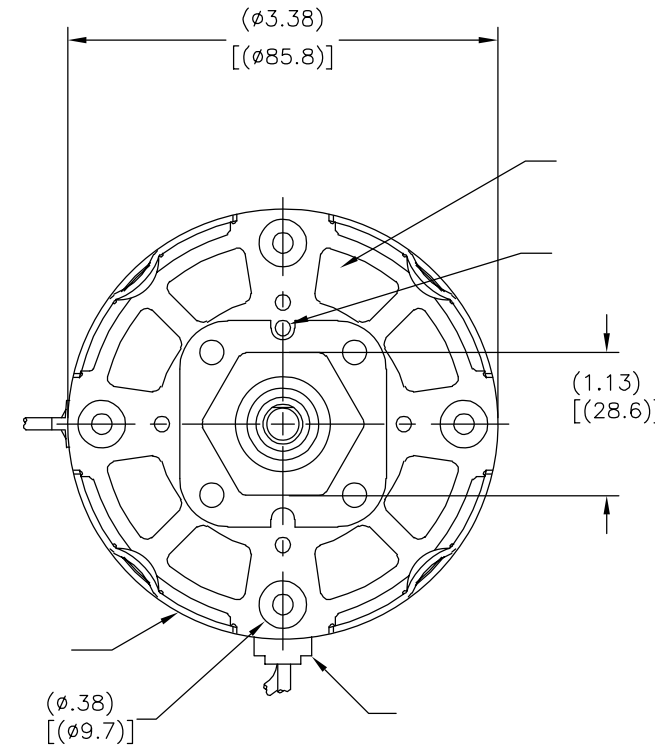
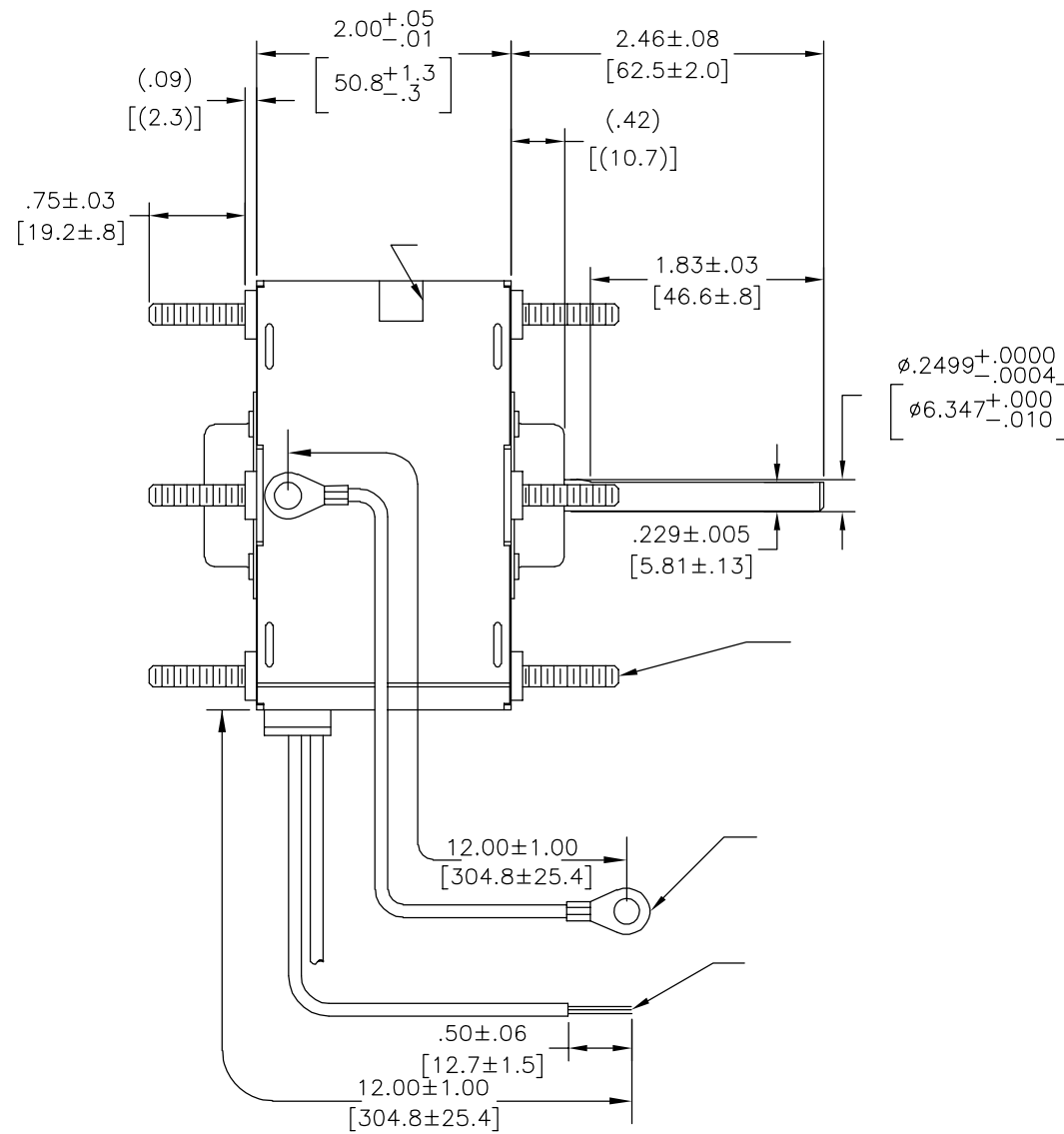
2

1

REVISION:	ECO	REVISADO POR:	FECHA:	APROBADO POR:	FECHA:
AK	0027424	T.CUI	07-17-2012	B.SHEN	07-17-2012

JA2C340N#

JA2C340N#



THERMALLY PROTECTED  
 SER. DAT ,PLT MOD JA2C340N#  
 115V 60HZ .62A 1550RPM 1/75HP 1PH CONT A.O.  
 ASSEMBLED IN MEXICO

Tipp City, OH



CWLE-CCWSE BOM CHG [AH]

AFTERMARKET

CARACTERISTICAS DE GEOMETRIA Y SIMBOLOS ▽ PLANICIDAD - RECTITUD < ANGULARIDAD ⊥ PERPENDICULARIDAD (A ESCUADRA) // PARALELISMO ○ REDONDEZ (CIRCULARIDAD) ∅ CILINDRICIDAD △ PERFIL DE CUALQUIER SUPERFICIE ▲ PERFIL DE CUALQUIER LINEA ↗ VARIACION ⊕ POSICION REAL ⊙ CONCENTRICIDAD = SIMETRIA	A MENOS QUE SE ESPECIFIQUE DE OTRA MANERA, LAS TOLERANCIAS DE LAS DIMS; SON LAS SIGUIENTES: PULG ±.1 ±.02 ±.005 ±.0005 mm ±0.5 ±0.13 ±0.013 ANG. ±50 GRADOS ELIMINAR REBABAS Y ORILLAS FILOSAS DEL BORDE. PULG .003-.015 mm 0.1-0.4 FILETEAR ESQUINA: PULG .020 mm 0.5 MAQUINAR SUPERFICIES PULG 125 mm 3.2
---	---

DIBUJADO POR: DD	APROBADO POR:
TERCER ANGULO DE PROYECCION	FECHA EDS: 11-11-2011 REV. FORMATO: H

CONFIDENCIAL: ESTE DIBUJO Y SU INFORMACION SON PROPIEDAD DE USO EXCLUSIVO Y CONFIDENCIAL DE REGAL-BELOIT CORPORATION. Y NO DEBERAN SER REVELADOS, DUPLICADOS, DISTRIBUIDOS O USARSE DE OTRA MANERA SIN EL CONSENTIMIENTO ESCRITO DE REGAL-BELOIT CORPORATION. -TODOS LOS DERECHOS RESERVADOS.

<b>REGAL REGAL-BELOIT CORPORATION</b>	
DESCRIPCION: MODEL-SFHP-3.3 OUTLINE	
TAMAÑO: C	NUMERO DE DIBUJO: JA2C340
ESCALA: NONE	HOJA: 1

4

3

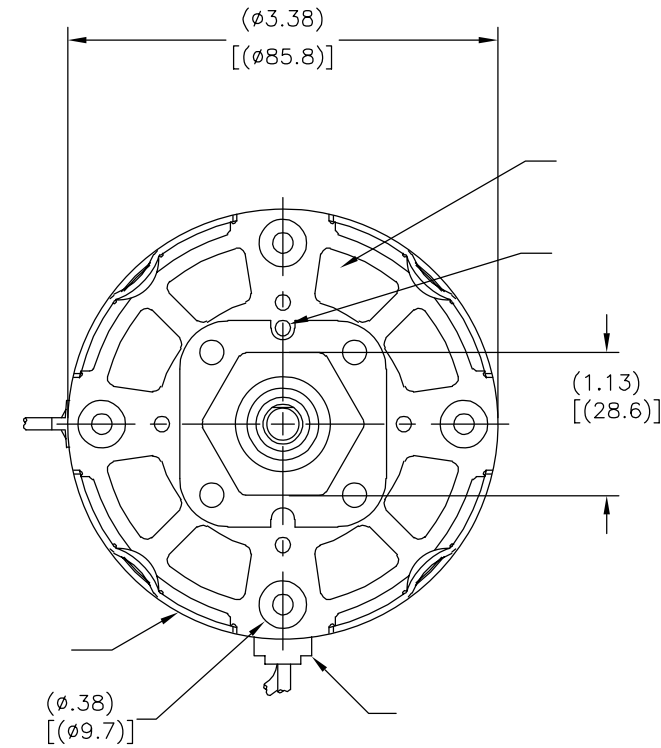
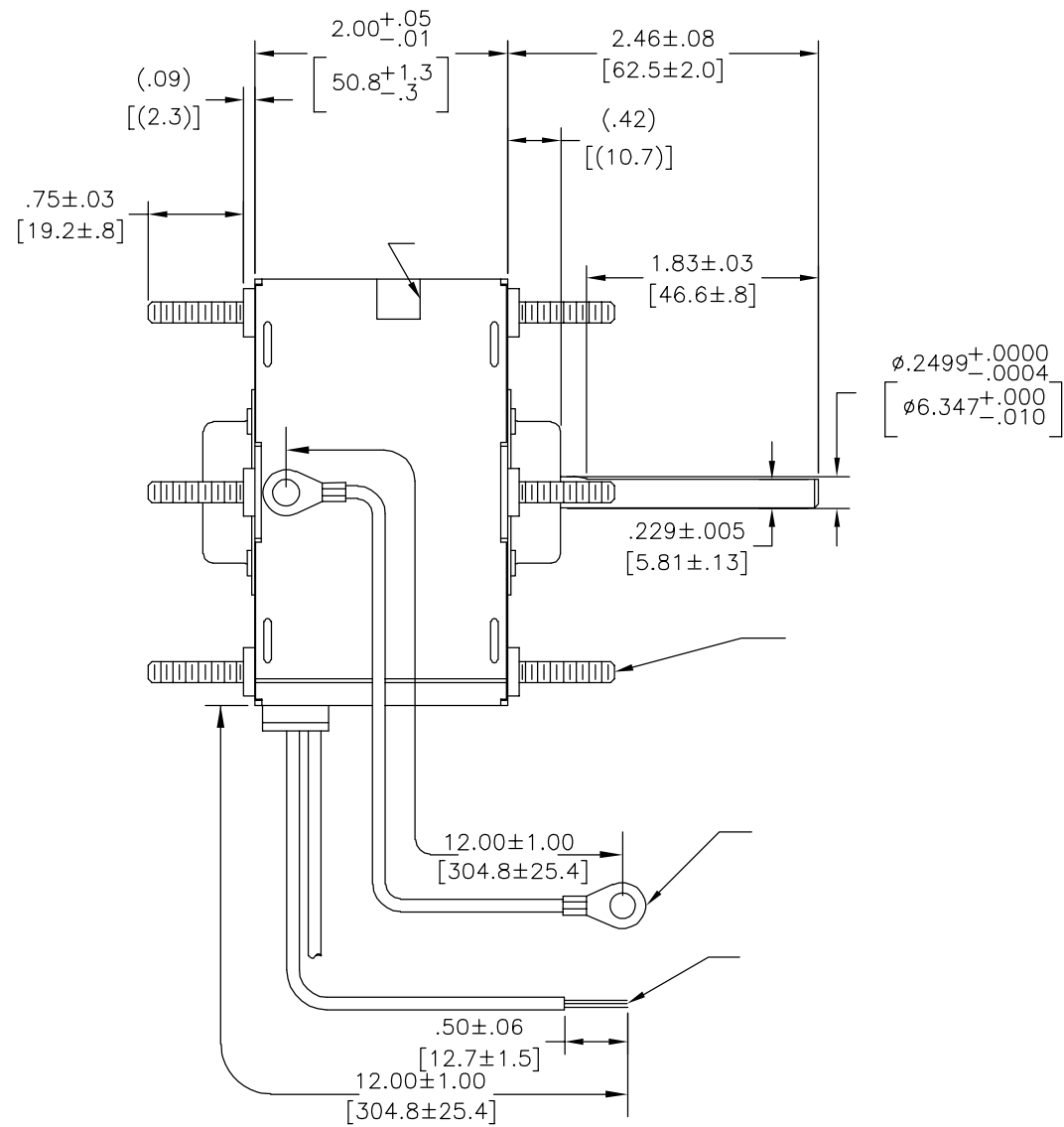
2

1

版本	ECO	编制	日期	批准	日期
AK	0027424	T.CUI	07-17-2012	B.SHEN	07-17-2012

JA2C340N#

JA2C340N#



**Century**  
 SER. DAT ,PLT MOD JA2C340N#  
 115V 60HZ .62A 1550RPM 1/75HP 1PH CONT A.O.  
 ASSEMBLED IN MEXICO

THERMALLY PROTECTED

Tipp City, OH



CWLE-CCWSE BOM CHG [AH]

AFTERMARKET

形位公差	除另有注明
□ 平面度	尺寸公差如下:
— 直线度	英寸 X XX XXX XXXX
∠ 倾斜度	英寸 ±.1 ±.02 ±.005 ±.0005
⊥ 垂直度	毫米 ±0.5 ±0.13 ±0.013
∥ 平行度	角度 ±.50 度
○ 圆度	清理毛刺和尖棱
⊙ 圆柱度	英寸 .003-.015 毫米 0.1-0.4
△ 面轮廓度	内圆角
∩ 线轮廓度	英寸 .020 毫米 0.5
↗ 圆跳动	表面粗糙度
⊕ 位置度	英制 125 米制 3.2
⊗ 同轴度	米制尺寸显示在 [ ]

ASME Y14.5M 1994

绘图:	DD
批准:	
第三角投影	
图纸格式发布日期	11-11-2011
图纸格式版本	H
机密: 本图纸及相关信息所有权归REGAL-BELOIT CORPORATION	
未经REGAL-BELOIT CORPORATION书面授权, 不得泄露、复制、传播或作其他用途。—版权所有	

<b>REGAL</b> REGAL-BELOIT CORPORATION	
名称	MODEL-SFHP-3.3 OUTLINE
图幅	C
图号	JA2C340
比例	NONE
页号	1