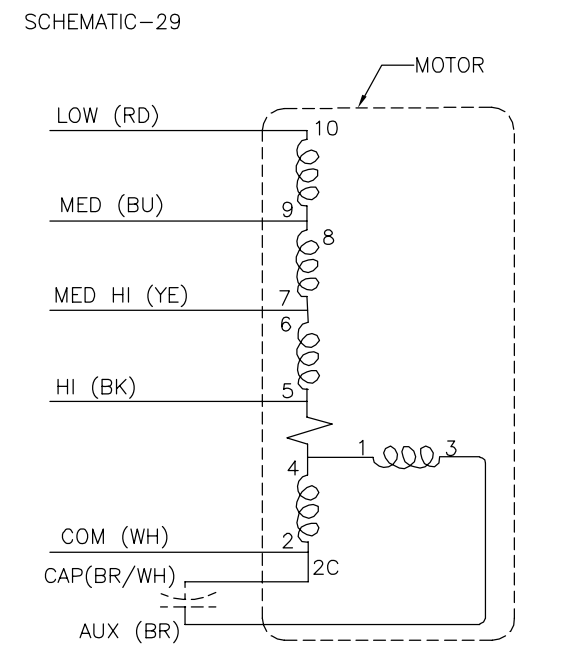
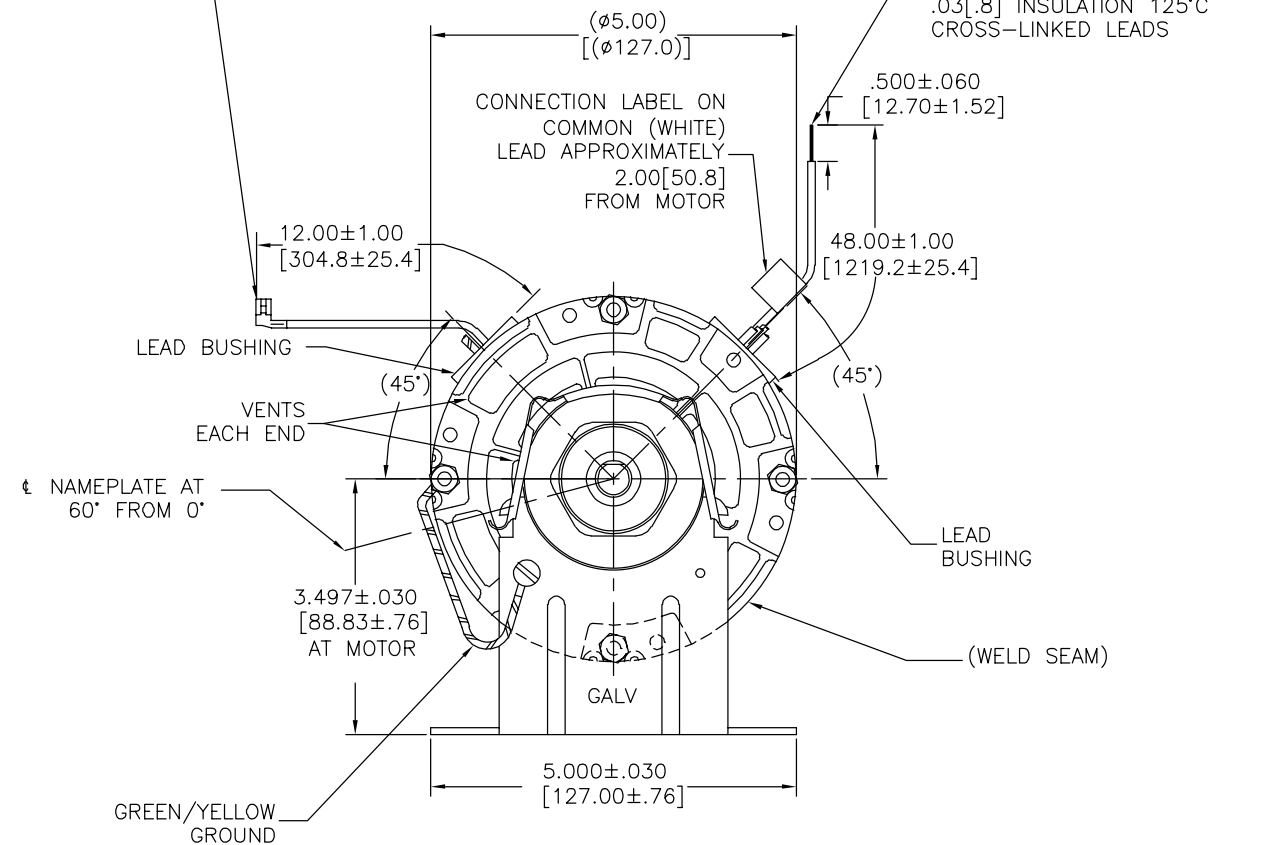
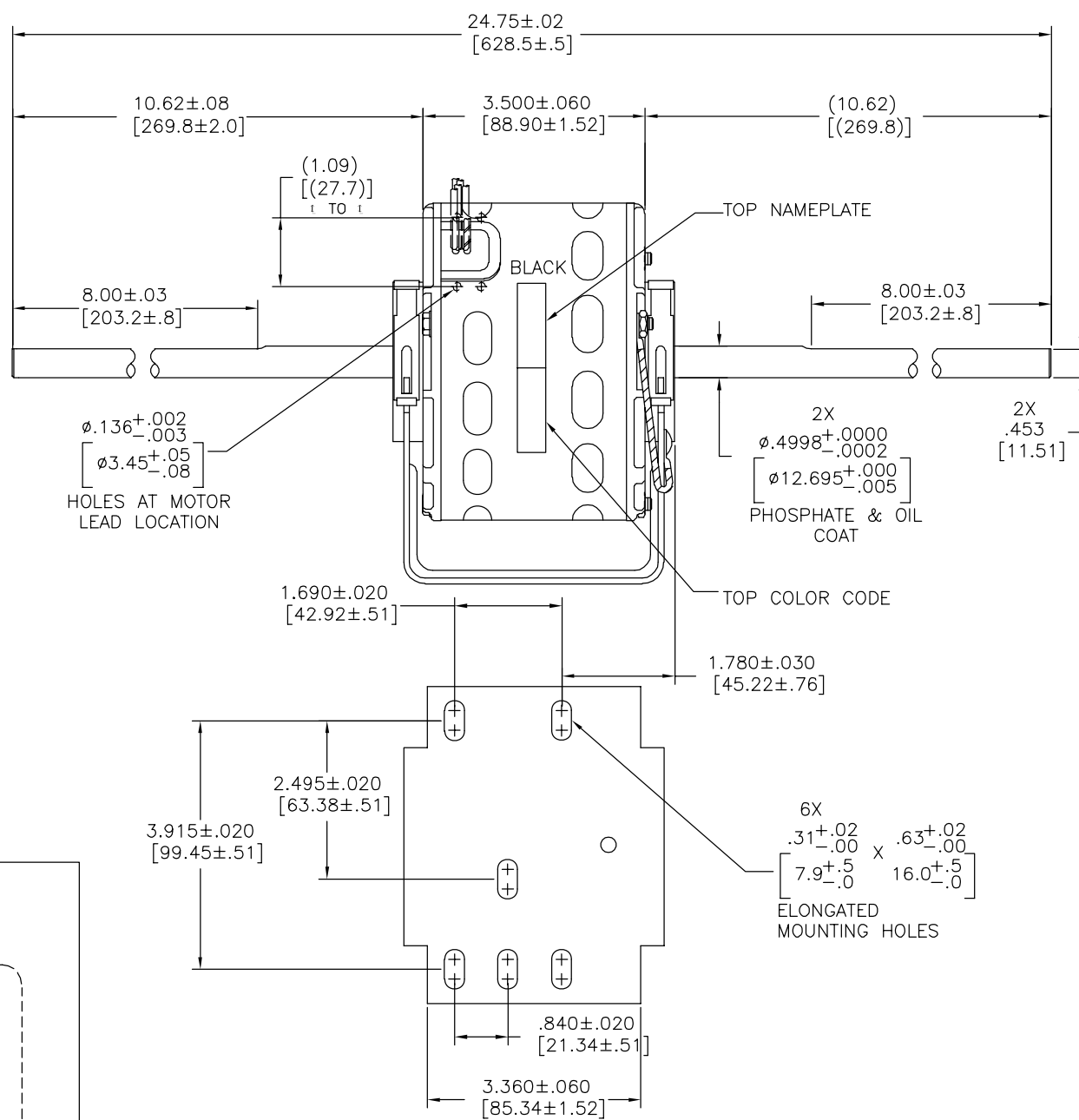


CUSTOMER IS SOLELY RESPONSIBLE FOR MOTOR PERFORMANCE AND SUITABILITY IN APPLICATIONS FOR CUSTOMER'S USES.

2X FEMALE FLAG TERMINAL FOR .032[.81] X .250[6.35] TAB ON BROWN & BROWN/WHITE CAPACITOR LEADS 18 GAUGE .03[.8] INSULATION 125°C CROSS-LINKED

5X NOT TIN DIPPED 18 GAUGE .03[.8] INSULATION 125°C CROSS-LINKED LEADS



CONNECTION LABEL	COLOR CODE NAMEPLATE
63T7433-265	63T7452-12

BK HI 1.7A 1/10HP  
 YE MED HI 1.3A 1/15HP  
 BU MED .85A 1/25HP  
 RD LOW .62A 1/35HP  
 WH COM BR & BR/WH CAP

ELECTRICALLY PER SAMPLE S-9088E

- NOTES:
1. ENDPLAY .005[.13] MINIMUM - .040[1.02] MAXIMUM
  2. MAXIMUM SHAFT RUNOUT .001[.03] PER 1.00 [25.4].
  3. MAXIMUM RUN OUT NOT TO EXCEED .010[.25]

ROT: CWLE

NAMEPLATE DATA:

**Century** Tipp City, OH  
 THERMALLY PROTECTED

SER. DATE & PO# PLT LTR MOD DE3E657N 362A  
 VOLTS 115 HZ 60 AMPS 1.7  
 RPM 1075 SP PH1 CAP 5MFD 370VAC  
 INS CL AMB °C HP 1/10 CONT AO ROTATION  
 BRG SLV ASSEMBLED IN MEXICO

DRAWING REVISION	REVISION BY	DATE	TOLERANCES UNLESS OTHERWISE SPECIFIED	DRAWN BY:
A	A. BAUGHMAN	02-11-2015	DEC: INCH FRA ANGLE	A. BAUGHMAN
ECC	A. BAUGHMAN	02-11-2015	.X ±0.1 (±2.5) ±0.5°	DATE:
ECC-0071315	A. BAUGHMAN	02-11-2015	.XX ±0.02 (±0.51)	02-11-2015
ECC DESCRIPTION			.XXX ±0.005 (±0.127)	APPROVED BY:
NEW			.XXXX ±0.0005 (±0.0127)	A. BAUGHMAN
COPYRIGHT REGAL BELLOI AMERICA, INC. ALL RIGHTS RESERVED. PROPRIETARY AND CONFIDENTIAL INFORMATION - THIS DOCUMENT IS THE PROPERTY OF REGAL BELLOI AMERICA, INC. (REGAL) AND CONTAINS TRADE SECRETS, PROPRIETARY INFORMATION AND PERSONAL CONFIDENTIAL OR OTHER FIRM INFORMATION. IT IS TO BE KEPT IN STRICTLY CONFIDENTIAL AND NOT TO BE DISCLOSED TO ANY PERSON, CORPORATION OR OTHER ENTITY, UNLESS SO EXPRESSLY APPROVED IN WRITING IN ADVANCE BY OWNER. THIS DOCUMENT SHALL BE RETURNED TO OWNER UPON REQUEST. IT MAY BE SUBJECT TO OTHER RESTRICTIONS UNDER APPLICABLE EXPORT CONTROL LAWS AND REGULATIONS.			REMOVE BURRS & BREAK SHARP EDGES .003-.015 (.076-.381) CORNER FILLETS .02 (.51) MACHINED SURFACES .001 (.025) INCH/mm SHOWN IN [BRACKETS]	DATE:
				02-11-2015
				REFERENCE
				MATERIAL
				PROCESS/FINISH
				THIRD ANGLE PROJECTION
				SIZE DWG NO
				362A
				SHEET
				1