

4

3

2

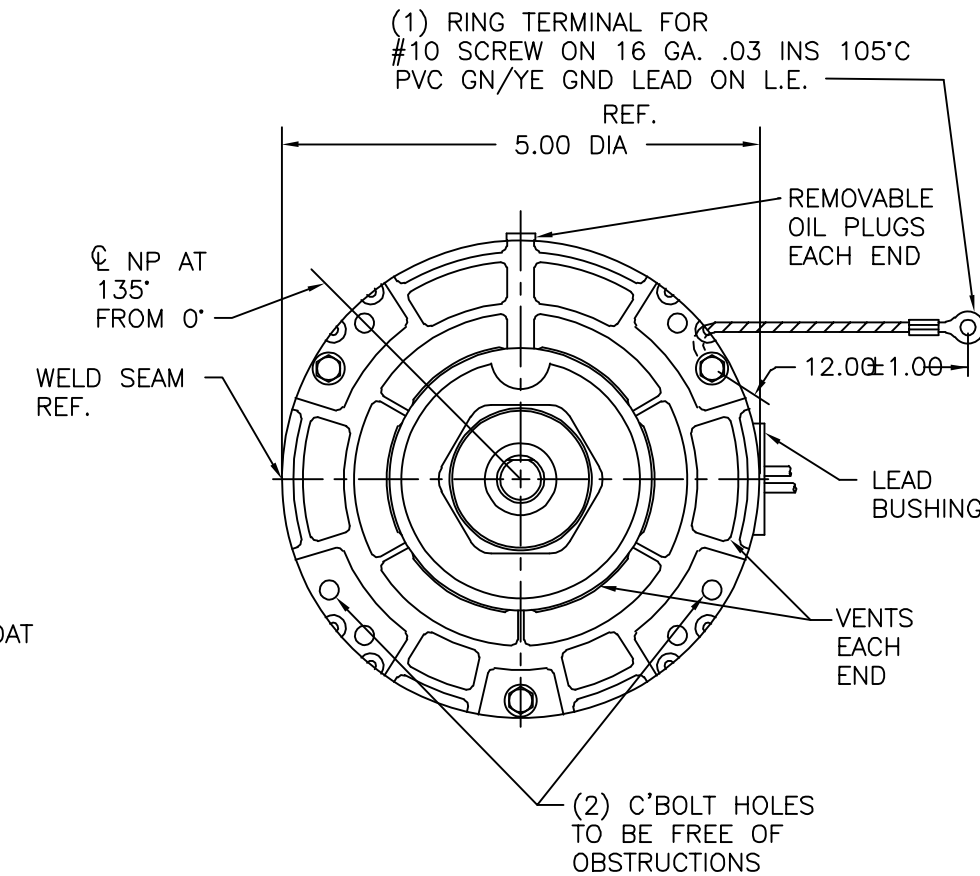
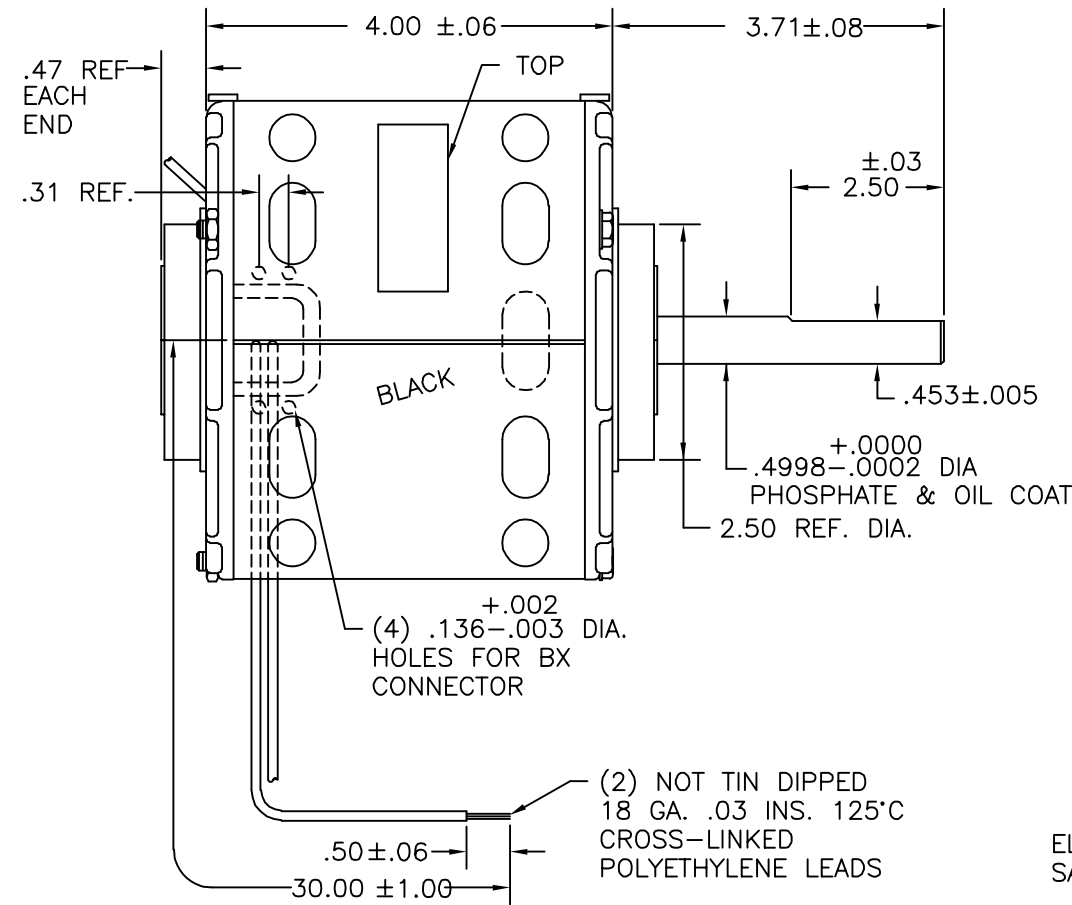
1

CUSTOMER IS SOLELY RESPONSIBLE FOR MOTOR PERFORMANCE AND SUITABILITY IN APPLICATIONS FOR CUSTOMER'S USES.

DA3H7011N"

REV	ECO	REV BY	DATE	APPD	DATE
M	0028994	I.ORTIZ	10-16-2012	M.AVILA	10-16-2012

END PLAY .005 MIN - .040 MAX  
 MAX. SHAFT RUN OUT .001 PER INCH  
 MAX. RUN OUT NOT TO EXCEED .010

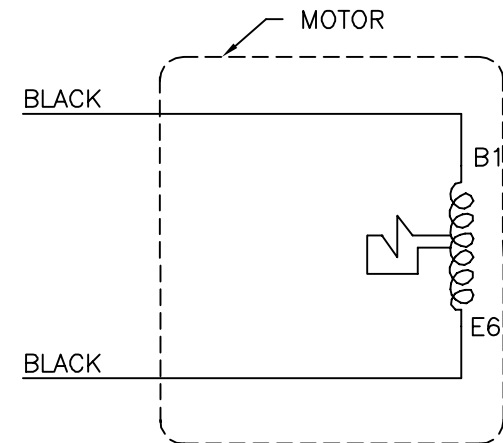


ELECTRICALLY PER SAMPLE S-8127D

SCHEMATIC-283

ROT.: -CCWLE-CWSE

NAMEPLATE DATA:



TIPP CITY, OHIO



THERMALLY PROTECTED

SER. DATE & P0# PLT LTR MOD DA3H011N" STK NO 345  
 VOLTS 115 HZ 60 AMPS 7.0  
 RPM 1050 SP PH1 CAP  
 INS CLB AMB 40C HP 1/6 CONT A.O.  
 BRG SLV



ASSEMBLED IN MEXICO

GEOMETRIC CHARACTERISTICS & SYMBOLS

- ▭ FLATNESS
- STRAIGHTNESS
- ∠ ANGULARITY
- ⊥ PERPENDICULARITY (SQUARENESS)
- // PARALLELISM
- ROUNDNESS (CIRCULARITY)
- ⊘ CYLINDRICITY
- △ PROFILE OF ANY SURFACE
- ∩ PROFILE OF ANY LINE
- ↯ RUNOUT
- ⊕ TRUE POSITION
- ◎ CONCENTRICITY
- ≡ SYMMETRY

ASME Y14.5M 1994

UNLESS OTHERWISE SPECIFIED DIM. TOLERANCES ARE AS FOLLOWS:

INCH	±.1	±.02	±.005	±.0005
mm	±0.5	±0.13	±0.013	

ANG. ±.50 DEG  
 REMOVE BURRS & BREAK SHARP EDGES:  
 INCH .003-.015 mm 0.1-0.4  
 CORNER FILLETS TO:  
 INCH .020 mm 0.5  
 MACHINE SURFACES:  
 INCH 125 mm 3.2

METRIC DIMS. SHOWN IN [BRACKETS]

DR BY:	TLB	10-06-1998
APPD:	DLC	10-06-1998
THIRD ANGLE PROJECTION		EDS DATE 11-11-2011 FORMAT REV H

CONFIDENTIAL: THIS DRAWING AND ITS INFORMATION ARE THE EXCLUSIVE AND CONFIDENTIAL PROPERTY OF REGAL-BELOIT CORPORATION AND ARE NOT TO BE DISCLOSED, DUPLICATED, DISTRIBUTED OR OTHERWISE USED WITHOUT THE WRITTEN CONSENT OF REGAL-BELOIT CORPORATION. -ALL RIGHTS RESERVED.

**REGAL** REGAL-BELOIT CORPORATION

DESCRIPTION	MODEL-RFHP-42FR OUTLINE	
SIZE	C	DWG NO DA3H7011
SCALE	NONE	SHEET 1

4

3

2

1

4

3

2

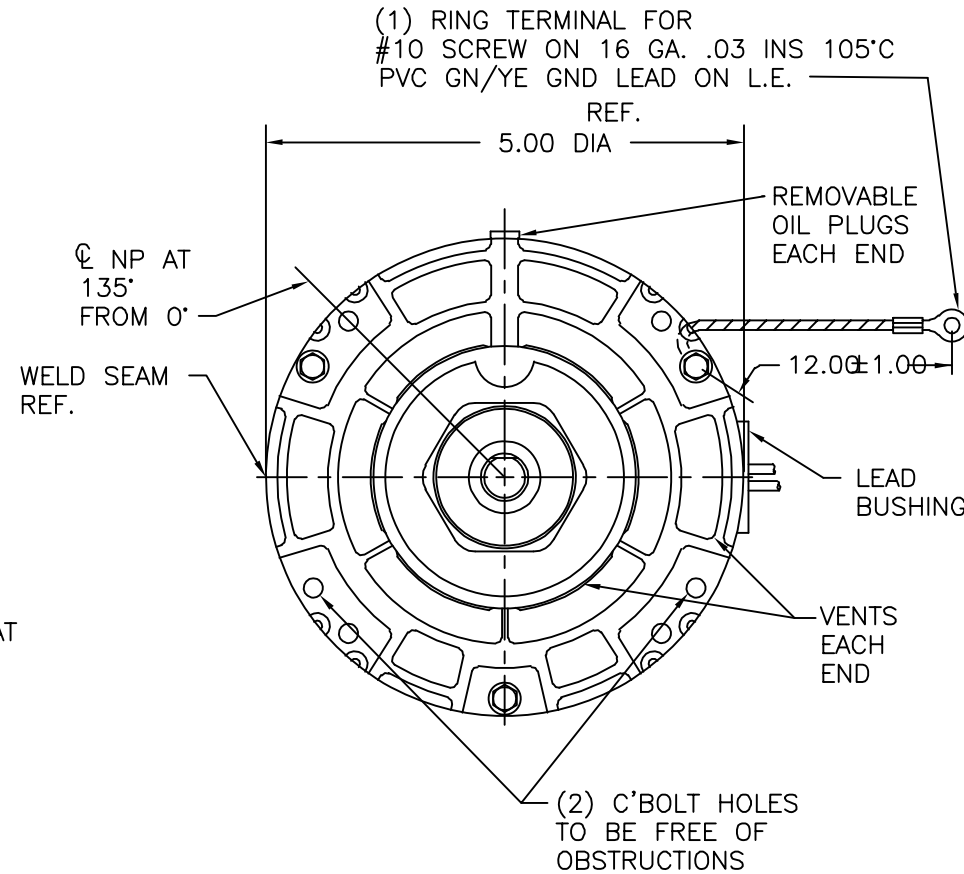
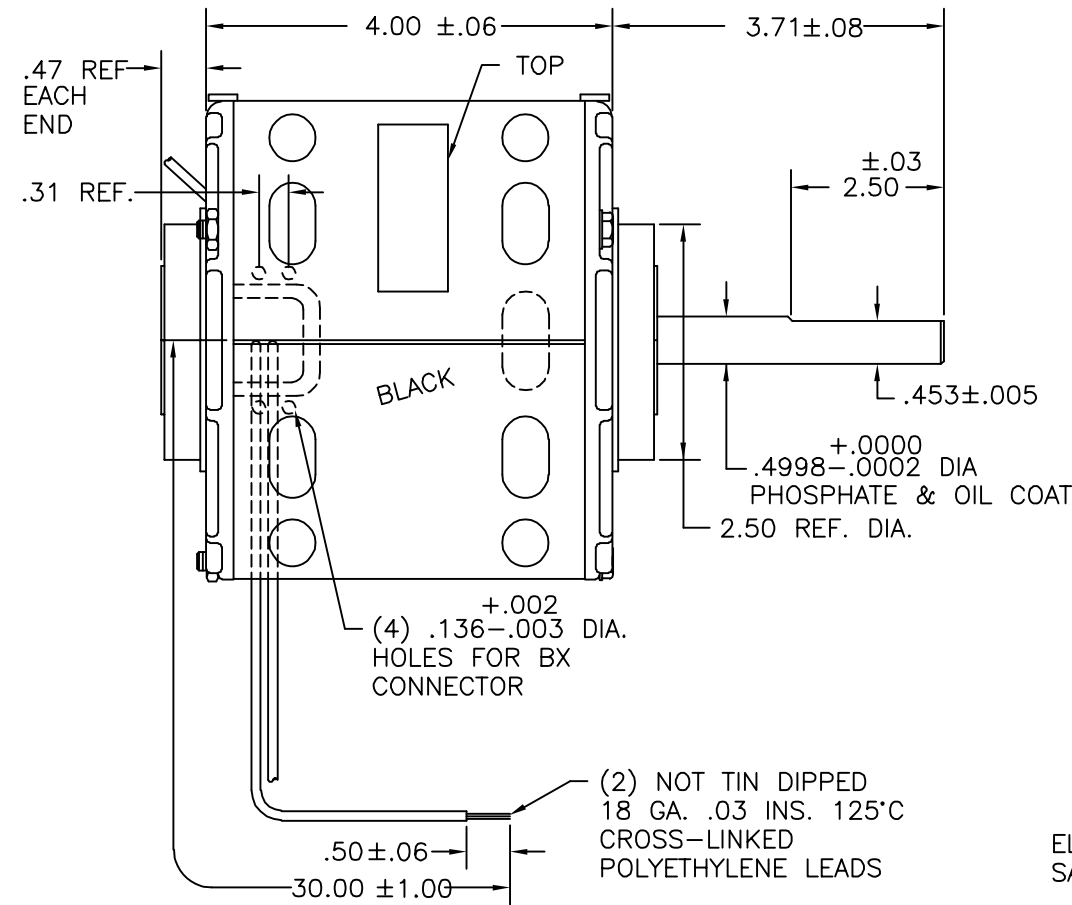
1

CUSTOMER IS SOLELY RESPONSIBLE FOR MOTOR PERFORMANCE AND SUITABILITY IN APPLICATIONS FOR CUSTOMER'S USES.

DA3H7011N"

REVISION:	ECO	REVISADO POR:	FECHA:	APROBADO POR:	FECHA:
M	0028994	I.ORTIZ	10-16-2012	M.AVILA	10-16-2012

END PLAY .005 MIN - .040 MAX  
 MAX. SHAFT RUN OUT .001 PER INCH  
 MAX. RUN OUT NOT TO EXCEED .010

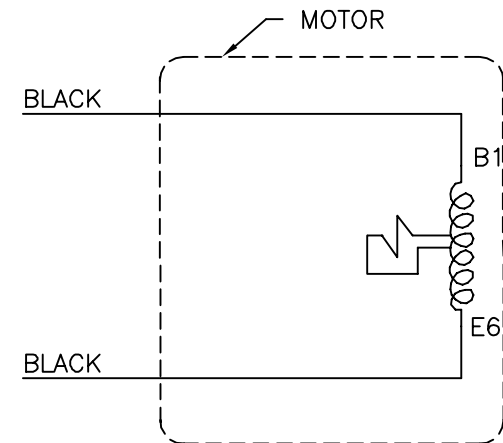


ELECTRICALLY PER SAMPLE S-8127D

SCHEMATIC-283

ROT.: -CCWLE - CWSE

NAMEPLATE DATA:



**Century** TIPP CITY, OHIO

SER. DATE & P0# PLT LTR MOD DA3H011N" STK NO 345  
 VOLTS 115 HZ 60 AMPS 7.0  
 RPM 1050 SP PH1 CAP  
 INS CLB AMB 40C HP 1/6 CONT A.O. ← ROTATION →  
 BRG SLV

ASSEMBLED IN MEXICO

CARACTERISTICAS DE GEOMETRIA Y SIMBOLOS  
 ▽ PLANICIDAD  
 - RECTITUD  
 < ANGULARIDAD  
 ⊥ PERPENDICULARIDAD (A ESCUADRA)  
 // PARALELISMO  
 ○ REDONDEZ (CIRCULARIDAD)  
 ∅ CILINDRICIDAD  
 △ PERFIL DE CUALQUIER SUPERFICIE  
 ∇ PERFIL DE CUALQUIER LINEA  
 ∠ VARIACION  
 ⊕ POSICION REAL  
 ⊙ CONCENTRICIDAD  
 = SIMETRIA

A MENOS QUE SE ESPECIFIQUE DE OTRA MANERA, LAS TOLERANCIAS DE LAS DIMS; SON LAS SIGUIENTES:  
 PULG ±.1 ±.02 ±.005 ±.0005  
 mm ±0.5 ±0.13 ±0.013  
 ANG. ±50 GRADOS  
 ELIMINAR REBABAS Y ORILLAS FILOSAS DEL BORDE.  
 PULG .003-.015 mm 0.1-0.4  
 FILETEAR ESQUINA: PULG .020 mm 0.5  
 MAQUINAR SUPERFICIES  
 PULG 125 mm 3.2

DIBUJADO POR: TLB 10-06-1998  
 APROBADO POR: DLC 10-06-1998  
 TERCER ANGULO DE PROYECCION FECHA EDS: 11-11-2011  
 REV. FORMATO: H  
 CONFIDENCIAL: ESTE DIBUJO Y SU INFORMACION SON PROPIEDAD DE USO EXCLUSIVO Y CONFIDENCIAL DE REGAL-BELOIT CORPORATION. Y NO DEBERAN SER REVELADOS, DUPLICADOS, DISTRIBUIDOS O USARSE DE OTRA MANERA SIN EL CONSENTIMIENTO ESCRITO DE REGAL-BELOIT CORPORATION. -TODOS LOS DERECHOS RESERVADOS.

**REGAL REGAL-BELOIT CORPORATION**

DESCRIPCION: MODEL-RFHP-42FR OUTLINE  
 TAMAÑO: C NUMERO DE DIBUJO: DA3H7011  
 ESCALA: NONE HOJA: 1

4

3

2

1

4

3

2

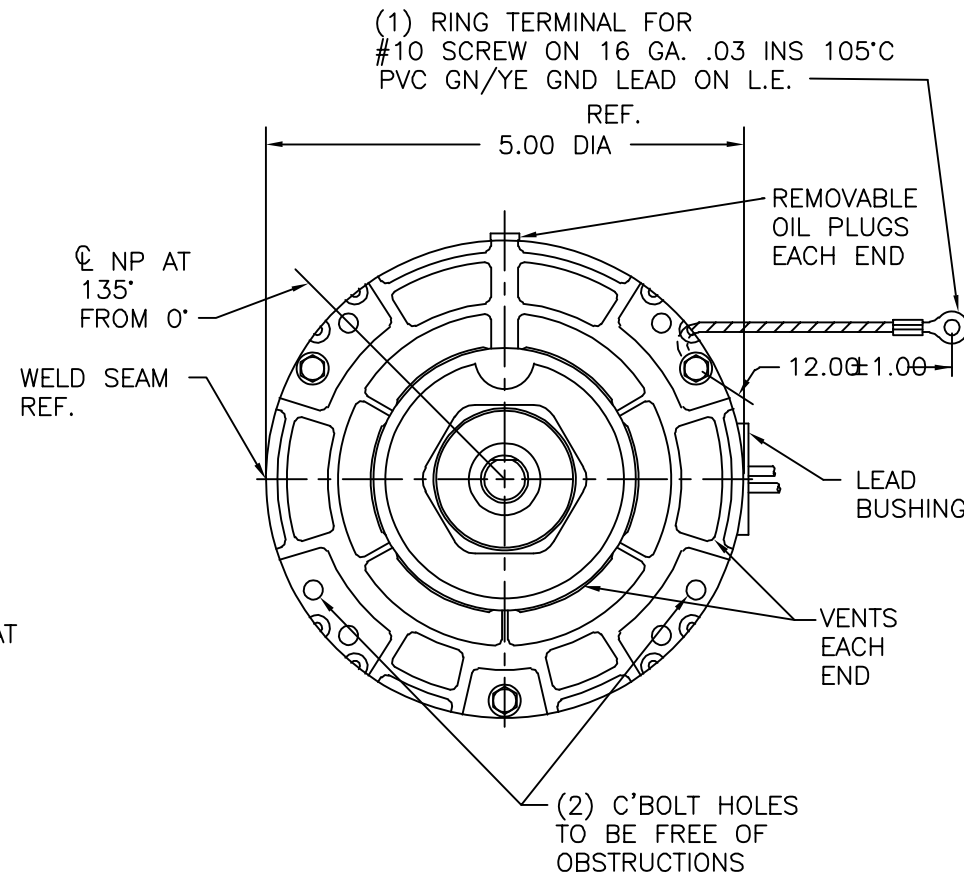
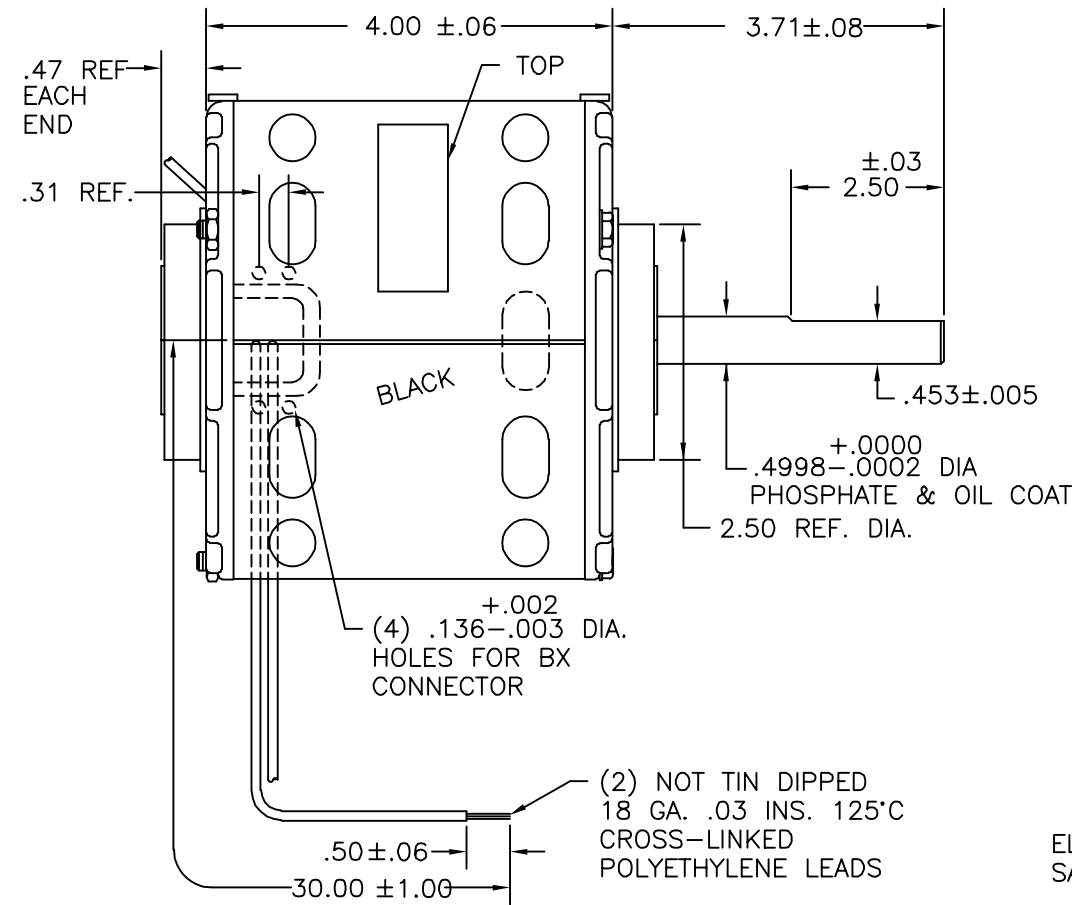
1

CUSTOMER IS SOLELY RESPONSIBLE FOR MOTOR PERFORMANCE AND SUITABILITY IN APPLICATIONS FOR CUSTOMER'S USES.

DA3H7011N"

版本	ECO	编制	日期	批准	日期
M	0028994	I.ORTIZ	10-16-2012	M.AVILA	10-16-2012

END PLAY .005 MIN - .040 MAX  
 MAX. SHAFT RUN OUT .001 PER INCH  
 MAX. RUN OUT NOT TO EXCEED .010

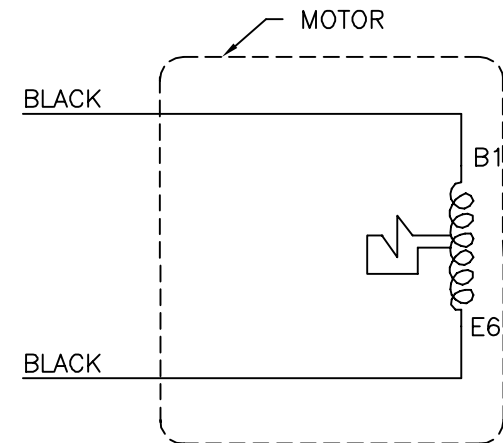


ELECTRICALLY PER SAMPLE S-8127D

SCHEMATIC-283

ROT.: -CCWLE-CWSE

NAMEPLATE DATA:



TIPP CITY, OHIO

THERMALLY PROTECTED

SER. DATE & P0# PLT LTR MOD DA3H011N" STK NO 345  
 VOLTS 115 HZ 60 AMPS 7.0  
 RPM 1050 SP PH1 CAP  
 INS CLB AMB 40C HP 1/6 CONT A.O.  
 BRG SLV

ASSEMBLED IN MEXICO

- 形位公差
- 平面度
- 直线度
- ∠ 倾斜度
- ⊥ 垂直度
- // 平行度
- 圆度
- ⊙ 圆柱度
- ⌒ 面轮廓度
- △ 线轮廓度
- ↻ 圆跳动
- ⊕ 位置度
- ⊗ 同轴度
- ≡ 对称度

ASME Y14.5M 1994

除另有注明尺寸公差如下:  
 英寸 X XX XXX XXXX  
 毫米 ±.1 ±.02 ±.005 ±.0005  
 角度 ±.50 度  
 清理毛刺和尖棱  
 英寸 .003-.015 毫米 0.1-0.4  
 内圆角  
 英寸 .020 毫米 0.5  
 表面粗糙度  
 英制 125 米制 3.2  
 米制尺寸显示在L

绘图:	TLB	10-06-1998
批准:	DLC	10-06-1998
第三角投影		图纸格式发布日期 11-11-2011 图纸格式版本 H
机密: 本图纸及相关信息所有权归REGAL-BELOIT CORPORATION. 未经REGAL-BELOIT CORPORATION书面授权, 不得泄露、复制、传播或作其他用途。—版权所有		

**REGAL** REGAL-BELOIT CORPORATION

MODEL-RFHP-42FR  
 OUTLINE

名称: MODEL-RFHP-42FR  
 图号: DA3H7011

比例: NONE 页号: 1

4

3

2

1