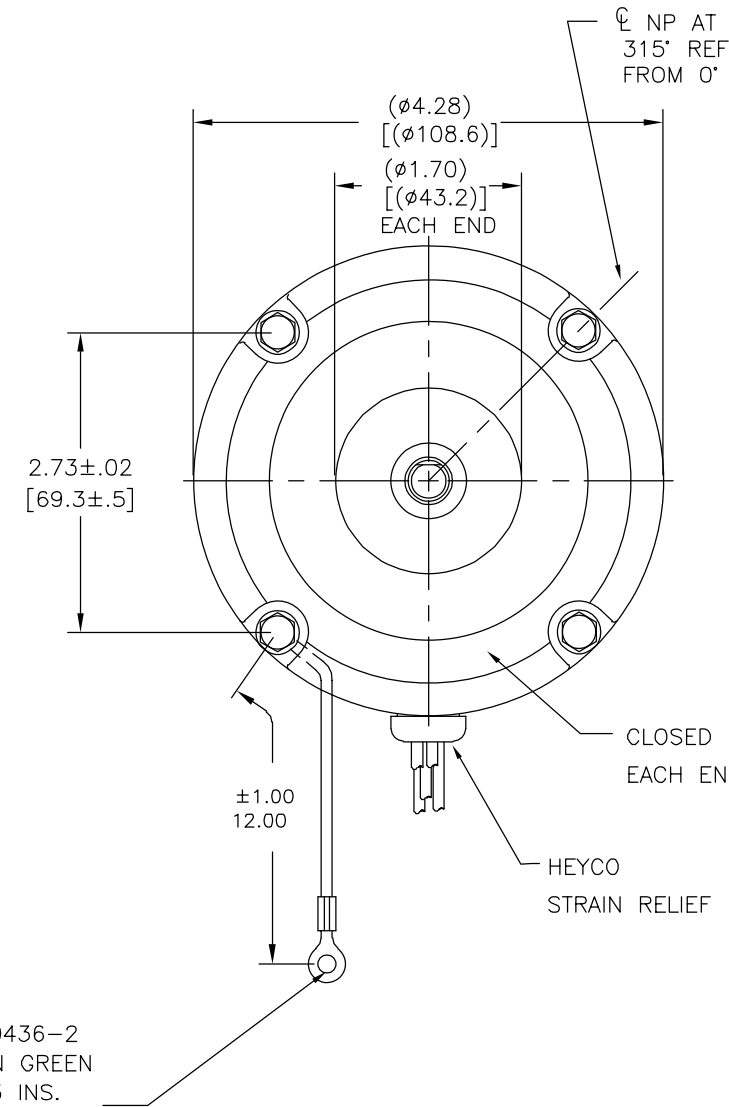
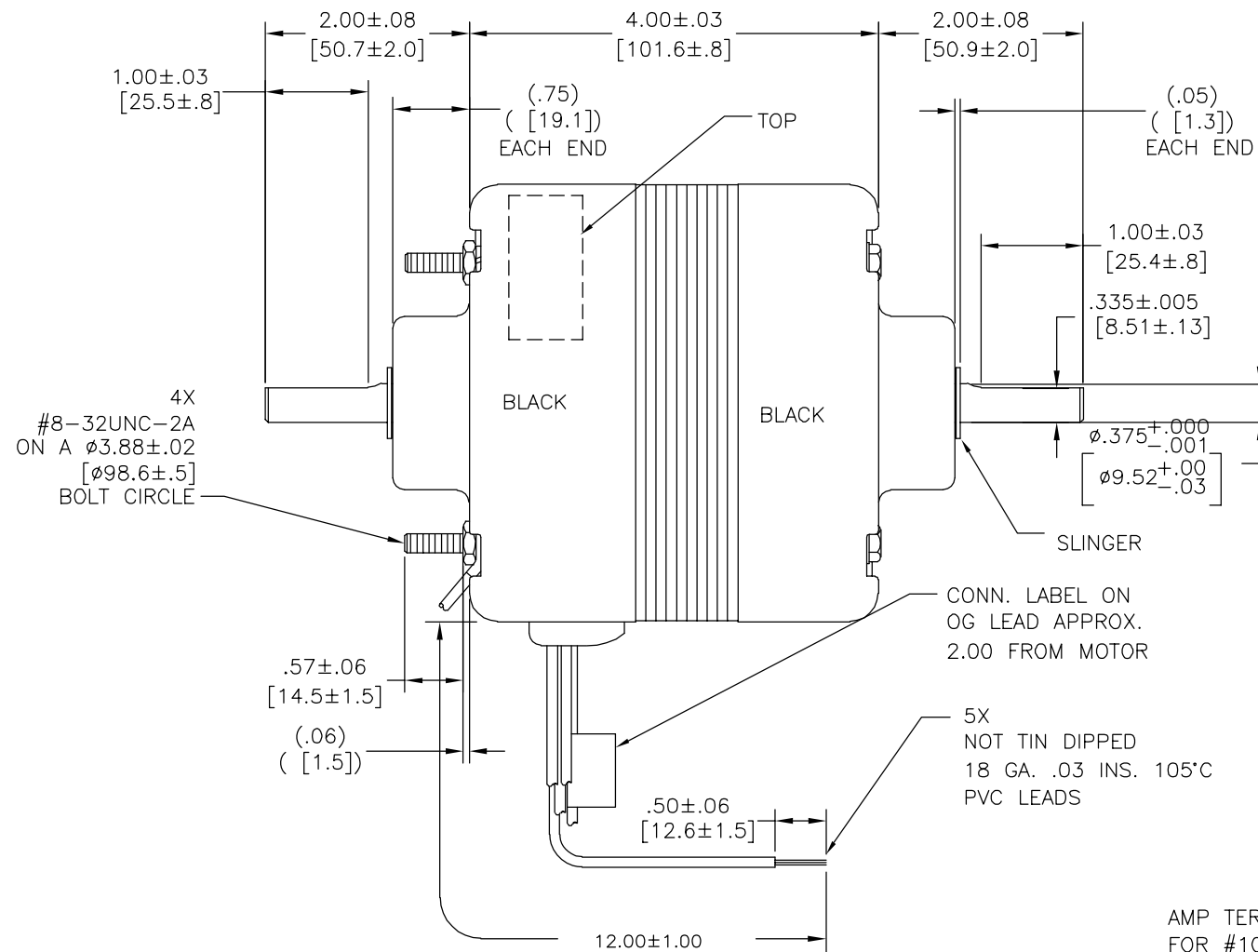


REV	ECO	REV BY	DATE	APPD	DATE
AW	0027378	H.REN	07-13-2012	B.SHEN	07-13-2012

CUSTOMER IS SOLELY RESPONSIBLE FOR MOTOR PERFORMANCE AND SUITABILITY IN APPLICATIONS FOR CUSTOMER'S USES

BEARING PRELOAD OLE



115V	BLACK & RED TOGETHER, BLUE & YELLOW TO LINE, ORANGE TO LINE
230V	BLUE & RED TOGETHER, BLACK OPEN INS. ORANGE TO LINE, YELLOW TO LINE

AMP TERMINAL #350436-2 FOR #10 SCREW ON GREEN GROUND 18 GA. .03 INS. 105°C PVC ON L.E.

NAMEPLATE DATA:



Tipp City, OH

THERMALLY PROTECTED



CONN. LABEL 63T473-11

CCWLE

ELECTRICALLY PER SAMPLE S-3699B

SER. DATE PLT MOD CB2J095N# STK NO. 341
 115V/230V 60HZ 2.2/1.1A 1650RPM
 BALL BEARINGS 1/10HP 1PH CONT AO ← ROTATION → ASSEMBLED IN MEXICO

GEOMETRIC CHARACTERISTICS & SYMBOLS

- ▭ FLATNESS
- STRAIGHTNESS
- ∠ ANGULARITY
- ⊥ PERPENDICULARITY (SQUARENESS)
- // PARALLELISM
- ROUNDNESS (CIRCULARITY)
- ⊘ CYLINDRICITY
- △ PROFILE OF ANY SURFACE
- ∩ PROFILE OF ANY LINE
- ↗ RUNOUT
- ⊕ TRUE POSITION
- ⊙ CONCENTRICITY
- ≡ SYMMETRY

ASME Y14.5M 1994

UNLESS OTHERWISE SPECIFIED DIM. TOLERANCES ARE AS FOLLOWS:

INCH X XX XXX XXXX
 ±.1 ±.02 ±.005 ±.0005
 mm ±0.5 ±0.13 ±0.013

ANG. ±.50 DEG
 REMOVE BURRS & BREAK SHARP EDGES:
 INCH .003-.015 mm 0.1-0.4

CORNER FILLETS TO:
 INCH .020 mm 0.5

MACHINE SURFACES:
 INCH 125 mm 3.2

METRIC DIMS. SHOWN IN [BRACKETS]

DR BY: .
 APPD: .

THIRD ANGLE PROJECTION

EDS DATE 11-11-2011
 FORMAT REV H

CONFIDENTIAL: THIS DRAWING AND ITS INFORMATION ARE THE EXCLUSIVE AND CONFIDENTIAL PROPERTY OF REGAL-BELOIT CORPORATION AND ARE NOT TO BE DISCLOSED, DUPLICATED, DISTRIBUTED OR OTHERWISE USED WITHOUT THE WRITTEN CONSENT OF REGAL-BELOIT CORPORATION. -ALL RIGHTS RESERVED.

REGAL REGAL-BELOIT CORPORATION	
DESCRIPTION OUTLINE	
SIZE C	DWG NO CB2J095
SCALE NONE	SHEET 1

4

3

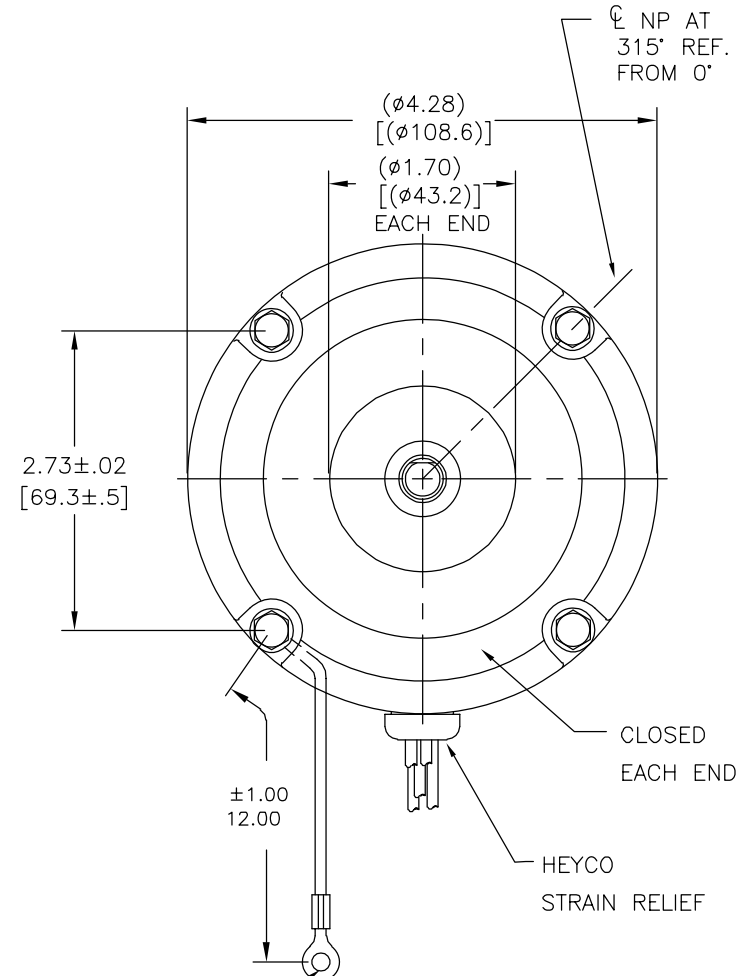
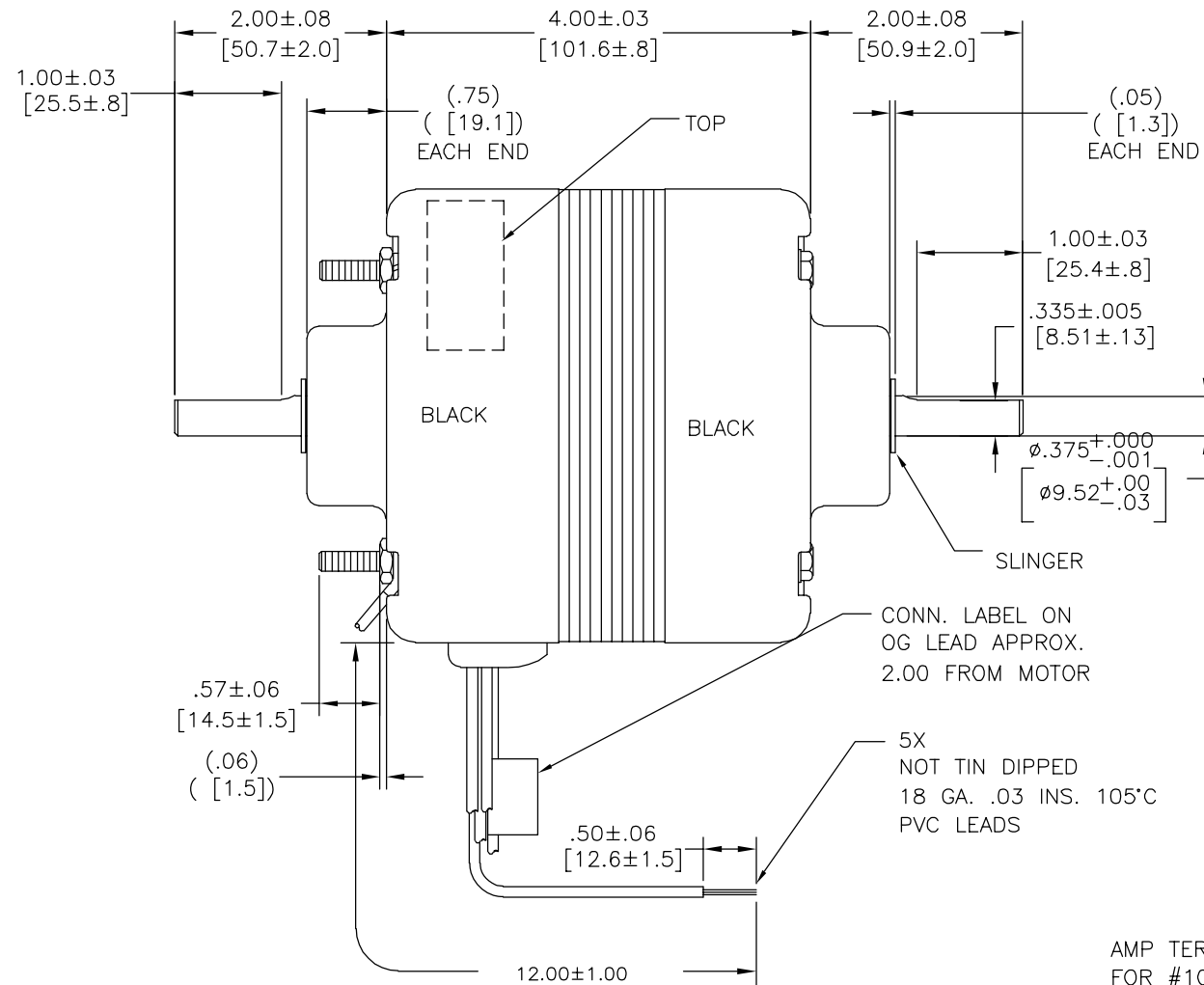
2

1

REVISION:	ECO	REVISADO POR:	FECHA:	APROBADO POR:	FECHA:
AW	0027378	H.REN	07-13-2012	B.SHEN	07-13-2012

CUSTOMER IS SOLELY RESPONSIBLE FOR MOTOR PERFORMANCE AND SUITABILITY IN APPLICATIONS FOR CUSTOMER'S USES

BEARING PRELOAD OLE



AMP TERMINAL #350436-2 FOR #10 SCREW ON GREEN GROUND 18 GA. .03 INS. 105°C PVC ON L.E.

115V	BLACK & RED TOGETHER, BLUE & YELLOW TO LINE, ORANGE TO LINE
230V	BLUE & RED TOGETHER, BLACK OPEN INS. ORANGE TO LINE, YELLOW TO LINE

NAMEPLATE DATA:



THERMALLY PROTECTED

Tipp City, OH



SER. DATE PLT MOD CB2J095N# STK NO. 341
115V/230V 60HZ 2.2/1.1A 1650RPM
BALL BEARINGS 1/10HP 1PH CONT AO ← ROTATION →

ASSEMBLED IN MEXICO

CONN. LABEL 63T473-11

CCWLE

ELECTRICALLY PER SAMPLE S-3699B

<p>CARACTERÍSTICAS DE GEOMETRÍA Y SIMBOLOS</p> <ul style="list-style-type: none"> □ PLANICIDAD — RECTITUD ∠ ANGULARIDAD ⊥ PERPENDICULARIDAD (A ESCUADRA) // PARALELISMO ○ REDONDEZ (CIRCULARIDAD) ∅ CILINDRICIDAD △ PERFIL DE CUALQUIER SUPERFICIE ∧ PERFIL DE CUALQUIER LINEA ∇ VARIACION ⊕ POSICION REAL ⊙ CONCENTRICIDAD = SIMETRIA <p>ASME Y14.5M 1994</p>	<p>A MENOS QUE SE ESPECIFIQUE DE OTRA MANERA, LAS TOLERANCIAS DE LAS DIMS; SON LAS SIGUIENTES:</p> <p>PULG ±.1 ±.02 ±.005 ±.0005 mm ±0.5 ±0.13 ±0.013</p> <p>ANG. ±.50 GRADOS</p> <p>ELIMINAR REBABAS Y ORILLAS FILOSAS DEL BORDE.</p> <p>PULG .003-.015 mm 0.1-0.4</p> <p>FILETEAR ESQUINA: PULG .020 mm 0.5</p> <p>MAQUINAR SUPERFICIES</p> <p>PULG 125 mm 3.2</p> <p>DIMS METRICAS MOSTRADAS [PARENTESIS]</p>
---	--

DIBUJADO POR:	
APROBADO POR:	
TERCER ANGULO DE PROYECCION	
FECHA EDS:	11-11-2011
REV. FORMATO:	H

CONFIDENCIAL: ESTE DIBUJO Y SU INFORMACION SON PROPIEDAD DE USO EXCLUSIVO Y CONFIDENCIAL DE REGAL-BELOIT CORPORATION. Y NO DEBERAN SER REVELADOS, DUPLICADOS, DISTRIBUIDOS O USARSE DE OTRA MANERA SIN EL CONSENTIMIENTO ESCRITO DE REGAL-BELOIT CORPORATION. -TODOS LOS DERECHOS RESERVADOS.

REGAL-BELOIT CORPORATION	
DESCRIPCION: OUTLINE	
TAMAÑO: C	NUMERO DE DIBUJO: CB2J095
ESCALA: NONE	HOJA: 1

4

3

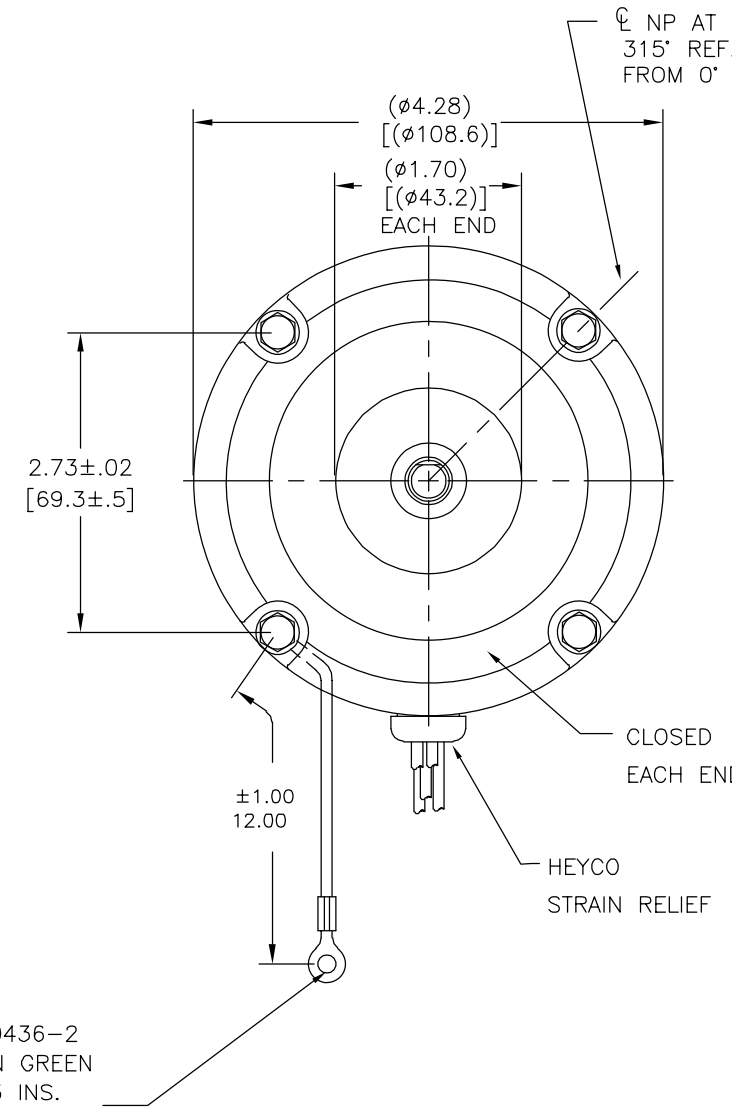
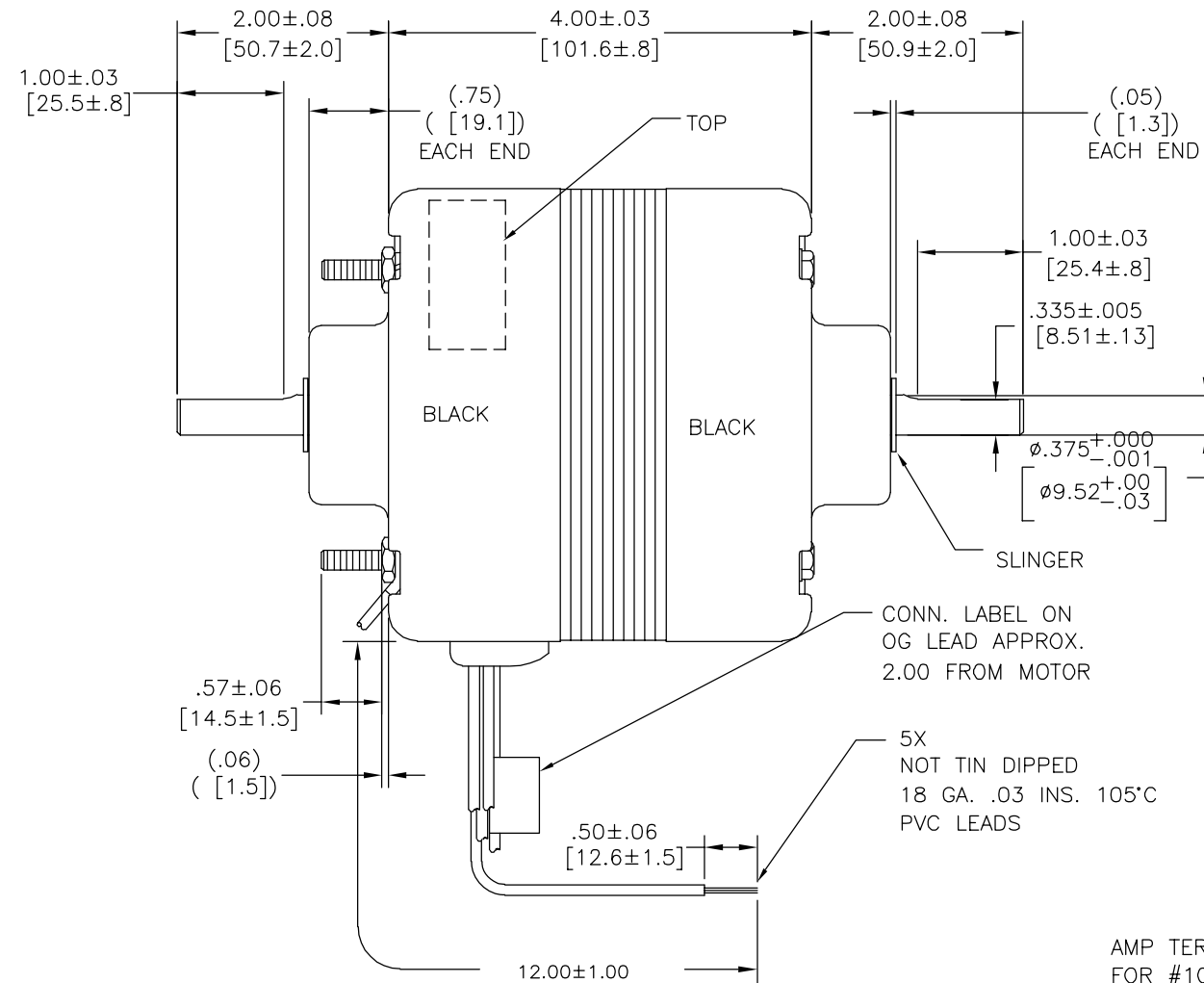
2

1

版本	ECO	编制	日期	批准	日期
AW	0027378	H.REN	07-13-2012	B.SHEN	07-13-2012

CUSTOMER IS SOLELY RESPONSIBLE FOR MOTOR PERFORMANCE AND SUITABILITY IN APPLICATIONS FOR CUSTOMER'S USES

BEARING PRELOAD OLE



AMP TERMINAL #350436-2 FOR #10 SCREW ON GREEN GROUND 18 GA. .03 INS. 105°C PVC ON L.E.

115V	BLACK & RED TOGETHER, BLUE & YELLOW TO LINE, ORANGE TO LINE
230V	BLUE & RED TOGETHER, BLACK OPEN INS. ORANGE TO LINE, YELLOW TO LINE

NAMEPLATE DATA:



THERMALLY PROTECTED

Tipp City, OH



SER. DATE PLT MOD CB2J095N# STK NO. 341
115V/230V 60HZ 2.2/1.1A 1650RPM
BALL BEARINGS 1/10HP 1PH CONT AO ← ROTATION →

ASSEMBLED IN MEXICO

CONN. LABEL 63T473-11

CCWLE

ELECTRICALLY PER SAMPLE S-3699B

形位公差	除另有注明
□ 平面度	尺寸公差如下:
— 直线度	英寸 X XX XXX XXXX
∠ 倾斜度	英寸 ±.1 ±.02 ±.005 ±.0005
⊥ 垂直度	毫米 ±0.5 ±0.13 ±0.013
// 平行度	角度 ±.50 度
○ 圆度	清理毛刺和尖棱
⊘ 圆柱度	英寸 .003-.015 毫米 0.1-0.4
△ 面轮廓度	内圆角
∇ 线轮廓度	英寸 .020 毫米 0.5
∩ 圆跳动	表面粗糙度
⊕ 位置度	英制 125 米制 3.2
⊙ 同轴度	米制尺寸显示在 []
≡ 对称度	

ASME Y14.5M 1994

绘图:

批准:

第三角投影

机密: 本图纸及相关信息所有权归REGAL-BELOIT CORPORATION. 未经REGAL-BELOIT CORPORATION书面授权, 不得泄露、复制、传播或作其他用途。—版权所有

REGAL REGAL-BELOIT CORPORATION

名称

OUTLINE

图幅

C

图号

CB2J095

比例

NONE

图号

1

页号

1