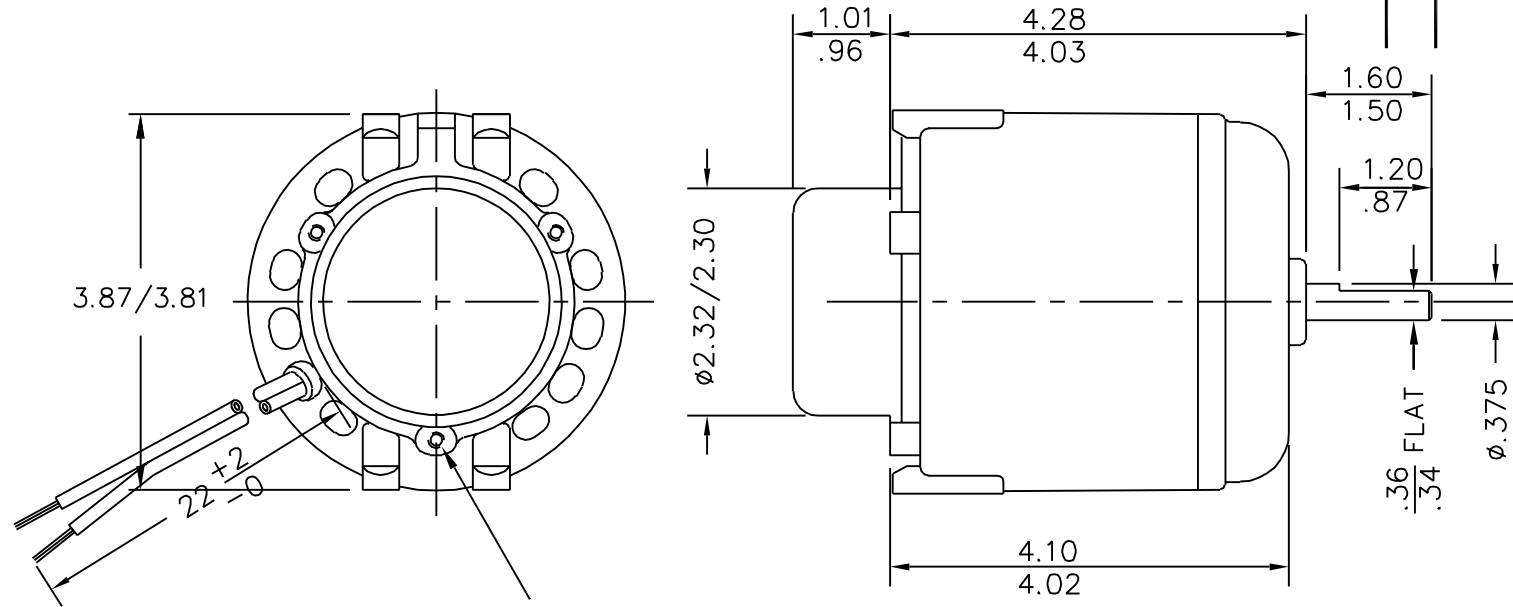


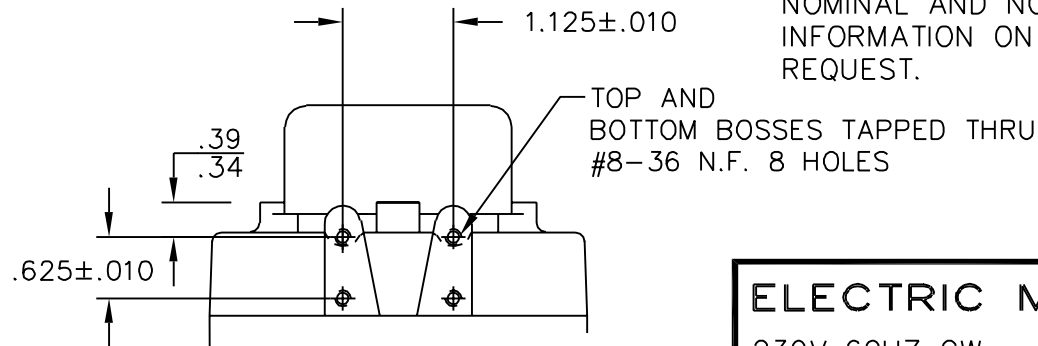
NO. A-23667

NO.	REVISIONS	DATE AND SIGNATURE
1	LEAD WAS (2) #10 EYELETS	7-6-98
2	CUST NAME WAS MAGNETEK	6-7-02



3 #8-36 TAPPED HOLES
SPACED 120° APART ON A
2.813 DIA. CENTER LINE.

OUTLINE DIMENSIONS ON WHICH NO LIMIT IS SPECIFIED ARE NOMINAL AND NOT GUARANTEED AS TO TOLERANCE. ADDITIONAL INFORMATION ON TOLERANCE WILL BE FURNISHED ON SPECIFIC REQUEST.



TOLERANCE
.0000=±.0002 .000=±.005
.00=±.010 FRACTION=±1/64
0°=±30° 0'0°=±5° 0'0'0°=REF. ONLY
ABOVE TOLERANCES APPLY UNLESS
OTHERWISE SPECIFIED TOLERANCES
ARE NOT ACCUMULATIVE.

ELECTRIC MOTORS AND SPECIALTIES INC.			
230V 60HZ CW		GARRETT, INDIANA 46738	
FIRST MADE FOR ESP-OL75EM2 A.O. SMITH		MATERIAL CUST NO. 298	
DRAWN BY JIM NICTER	DATE 7-11-96	SCALE 1/2 SIZE	APPROVED BY DATE
TITLE MOTOR OUTLINE			NO. A-23667