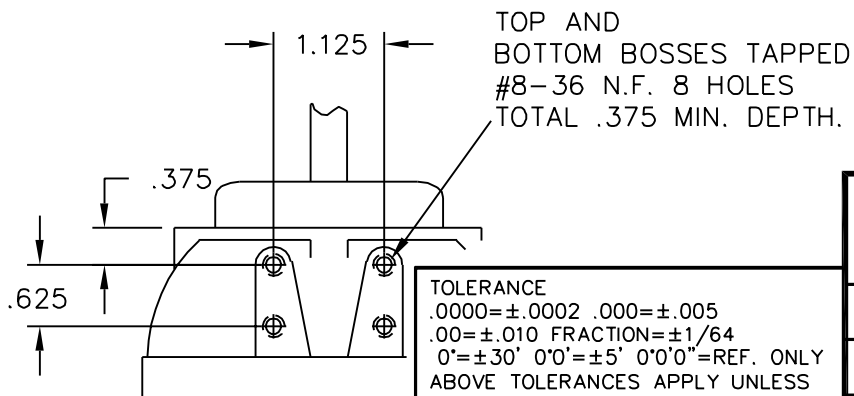
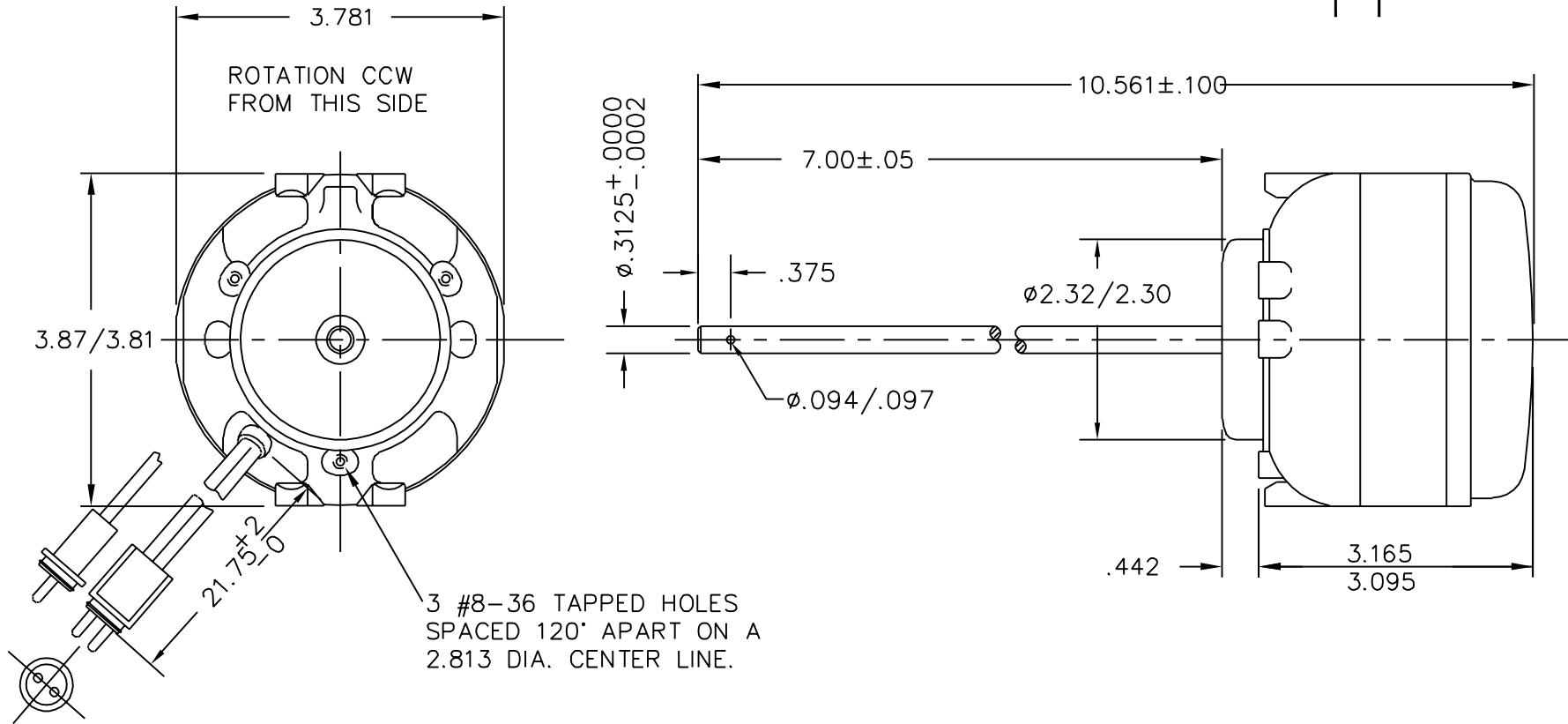


NO. A-23575

| NO. | REVISIONS | DATE AND SIGNATURE |
|-----|------------------------|--------------------|
| 1 | CUST NAME WAS MAGNETEK | 6-7-02 |
| 2 | REMOVED 60/50HZ | 6-11-02 |



TOLERANCE
 .0000=±.0002 .000=±.005
 .00=±.010 FRACTION=±1/64
 0°=±30' 0'0°=±5' 0'0'0°=REF. ONLY
 ABOVE TOLERANCES APPLY UNLESS
 OTHERWISE SPECIFIED. TOLERANCES
 ARE NOT ACCUMULATIVE.

| | | | |
|---|-----------------|--------------------------|---------------------|
| ELECTRIC MOTORS AND SPECIALTIES INC. | | | |
| 115V 60HZ CCW | | GARRETT, INDIANA 46738 | |
| FIRST MADE FOR ESP-L25MJR1B1 A.O. SMITH | | MATERIAL CUST NO. 297 | |
| DRAWN BY JIM NICHTER | DATE 1-19-96 | SCALE 1/2 SIZE | APPROVED BY DATE |
| TITLE MOTOR OUTLINE | | | NO. A-23575 |