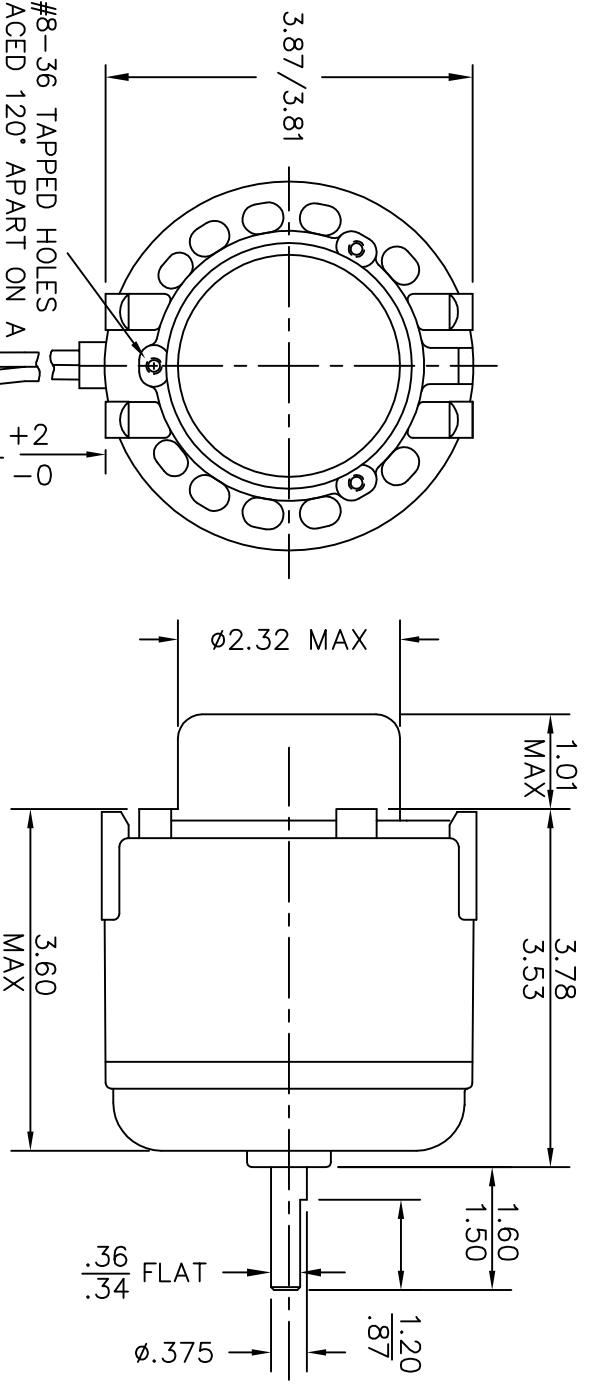


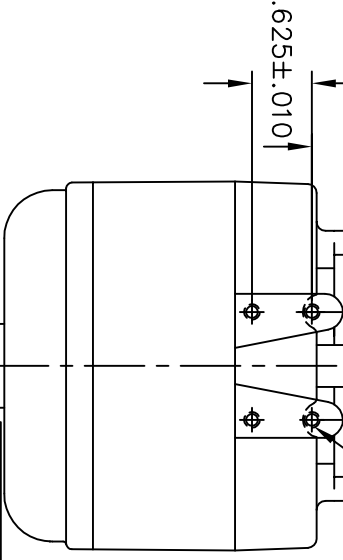
NO. A-23570

NO.	REVISIONS	DATE AND SIGNATURE
1	MOTOR WAS 440V	8-26-97
2	CUST WAS MAGNETEK	6-7-02
3	REMOVED 60/50HZ	6-11-02
4	ADDED MAX DIM'S	2-6-04
5	WAS A. O. SMITH	8-31-11



3 #8-36 TAPPED HOLES SPACED 120° APART ON A 2.813 DIA. CENTER LINE.

1.125±.010
TOP AND BOTTOM BOSSES TAPPED THRU #8-36 N.F. 8 HOLES



OUTLINE DIMENSIONS ON WHICH NO LIMIT IS SPECIFIED ARE NOMINAL AND NOT GUARANTEED AS TO TOLERANCE. ADDITIONAL INFORMATION ON TOLERANCE WILL BE FURNISHED ON SPECIFIC REQUEST.

TOLERANCE
 .0000±.0002 .000±.005
 .00±.010 FRACTION=±1/64
 0°±.30' 0°±.5' 0°0'±REF. ONLY
 ABOVE TOLERANCES APPLY UNLESS OTHERWISE SPECIFIED TOLERANCES ARE NOT ACCUMULATIVE.

ELECTRIC MOTORS AND SPECIALTIES INC.		GARRETT, INDIANA 46738	
460V 60HZ CW		MATERIAL CUST NO. 290	
FIRST MADE FOR	ESP-OL50EM461 Regal Beloit EPC	SCALE	APPROVED BY
DRAWN BY	JIM NICHTER	1/2 SIZE	DATE
TITLE	MOTOR OUTLINE		NO. A-23570