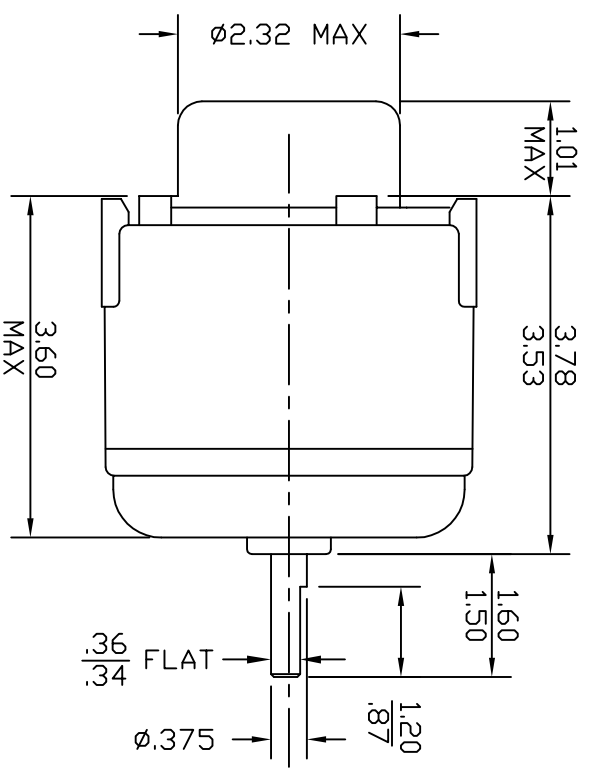
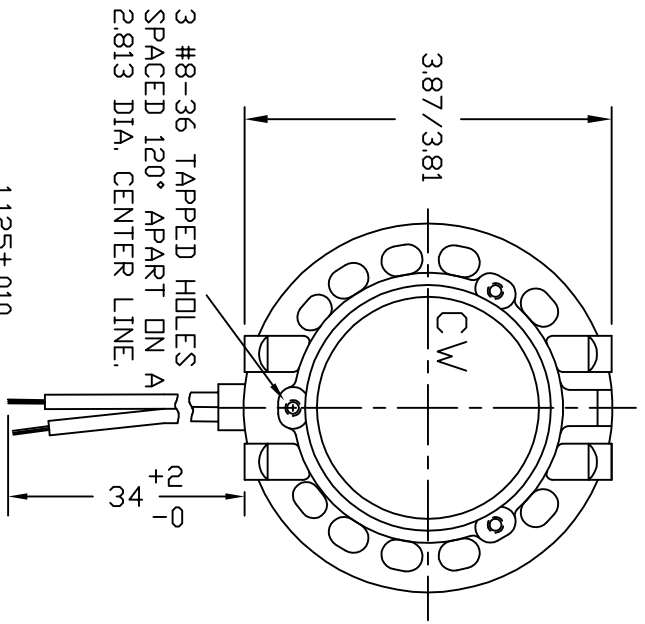


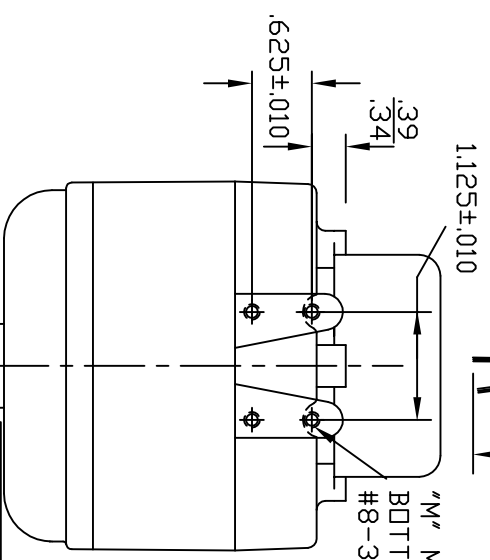
NO. A-21975

NO.	REVISIONS	DATE AND SIGNATURE
1	ADDED DIM JDN	3-24-94
2	CUST NAME WAS MAGNETEK	6-7-02
3	Removed 60/50HZ	6-11-02
4	ADDED MAX DIM'S	1-26-04
5	WAS A. D. SMITH	8-31-11



"M" MOUNTING TOP & BOTTOM BOSSES TAPPED THRU #8-36 N.F. 8 HOLES

OUTLINE DIMENSIONS ON WHICH NO LIMIT IS SPECIFIED ARE NOMINAL AND NOT GUARANTEED AS TO TOLERANCE. ADDITIONAL INFORMATION ON TOLERANCE WILL BE FURNISHED ON SPECIFIC REQUEST.



TOLERANCE

.0000±.0002 .000±.005

.00±.010 FRACTION=1/64

0°±30' 0°±45' 0°0'0"=REF. ONLY

ABOVE TOLERANCES APPLY UNLESS OTHERWISE SPECIFIED. TOLERANCES ARE NOT ACCUMULATIVE.

ELECTRIC MOTORS AND SPECIALTIES INC.

115V 60HZ GARRETT, INDIANA 46738

FIRST MADE FOR	ESP-DL50EM13	Regal Beloit EPC	MATERIAL	CUST NO. 289
DRAWN BY	JIM NICHTER	11-08-93	SCALE	1/2 SIZE
TITLE	MOTOR OUTLINE			NO. A-21975