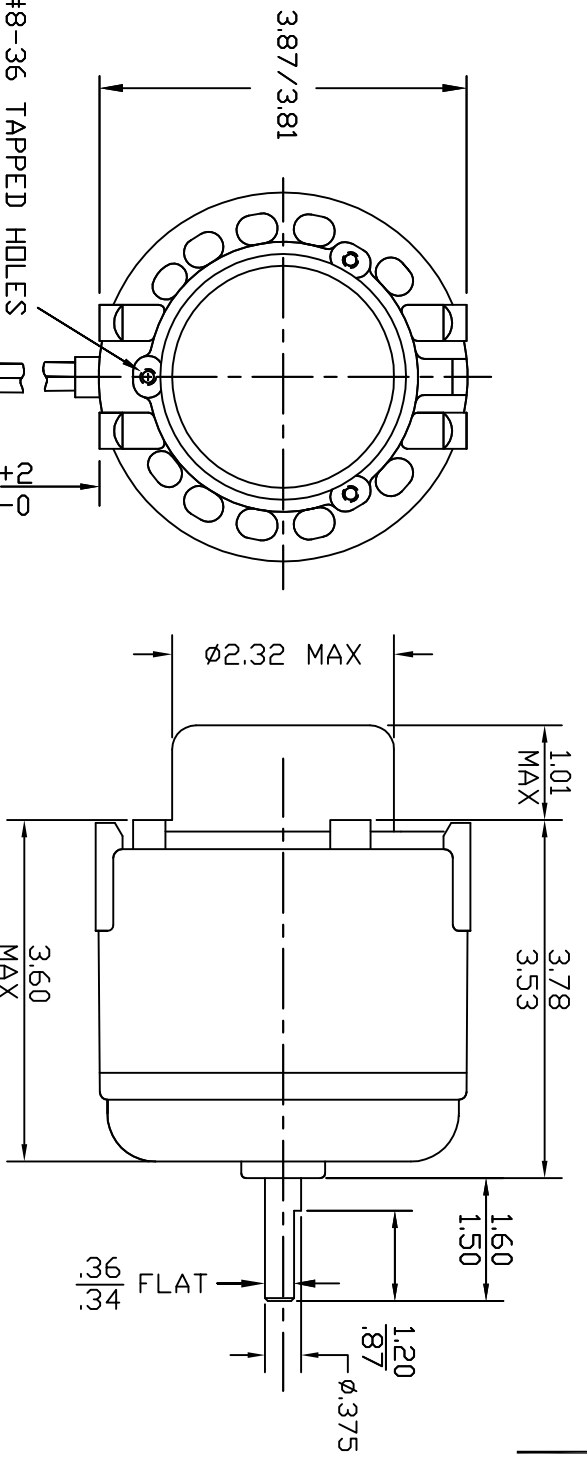


NO. A-21853

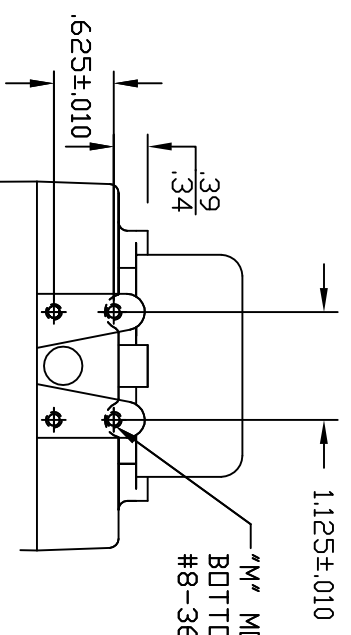
NO.	REVISIONS	DATE AND SIGNATURE
1	CUST NAME WAS MAGNETEK	6-7-02
2	ADDED MAX DIM'S	1-26-04
3	WAS AD. SMITH	8-31-11



3 #8-36 TAPPED HOLES
SPACED 120° APART ON A
2.813 DIA. CENTER LINE.

"M" MOUNTING TOP &
BOTTOM BOSSES TAPPED THRU
#8-36 N.F. 8 HOLES

OUTLINE DIMENSIONS ON WHICH NO LIMIT IS SPECIFIED ARE
NOMINAL AND NOT GUARANTEED AS TO TOLERANCE. ADDITIONAL
INFORMATION ON TOLERANCE WILL BE FURNISHED ON SPECIFIC
REQUEST.



TOLERANCE
 .0000±.0002 .000±.005
 .00±.010 FRACTION=1/64
 0°±30' 0°0'±5' 0°0'0'±REF. ONLY
 ABOVE TOLERANCES APPLY UNLESS
 OTHERWISE SPECIFIED. TOLERANCES
 ARE NOT ACCUMULATIVE.

ELECTRIC MOTORS AND SPECIALTIES INC.
 230V 60/50HZ CW GARRETT, INDIANA 46738

FIRST MADE FOR ESP-DL50EM26	Regal Beloit EPC	MATERIAL CUST NO. 288
DRAWN BY JIM NICHTER	DATE 6-07-93	SCALE 1/2 SIZE
TITLE MOTOR OUTLINE		APPROVED BY NO. A-21853