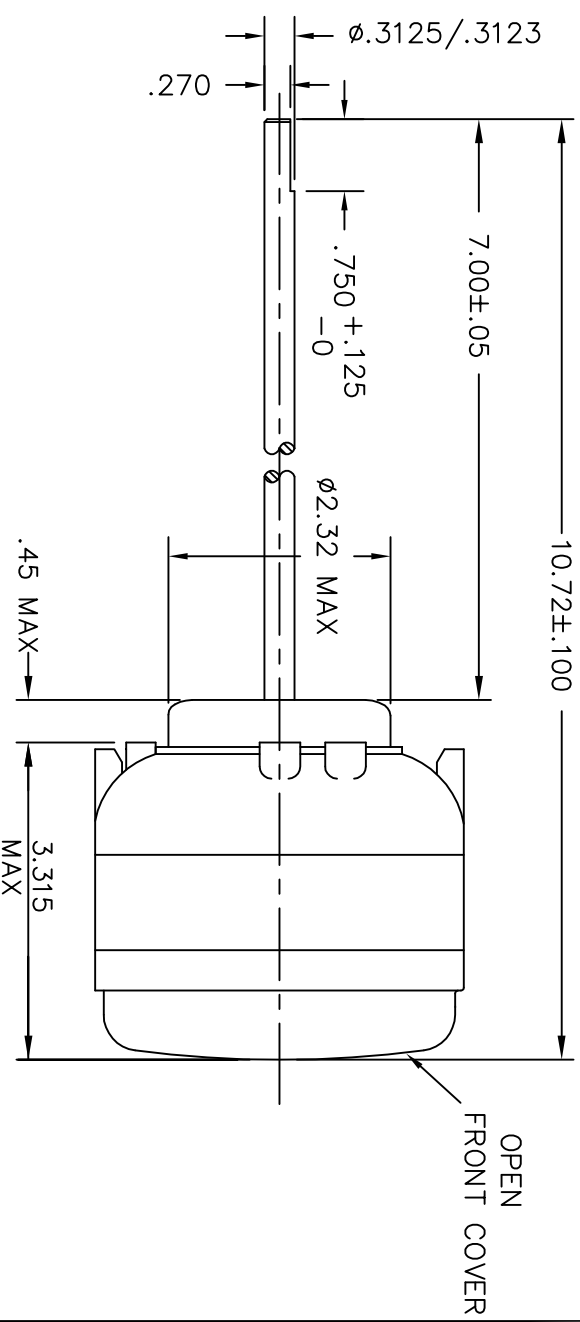
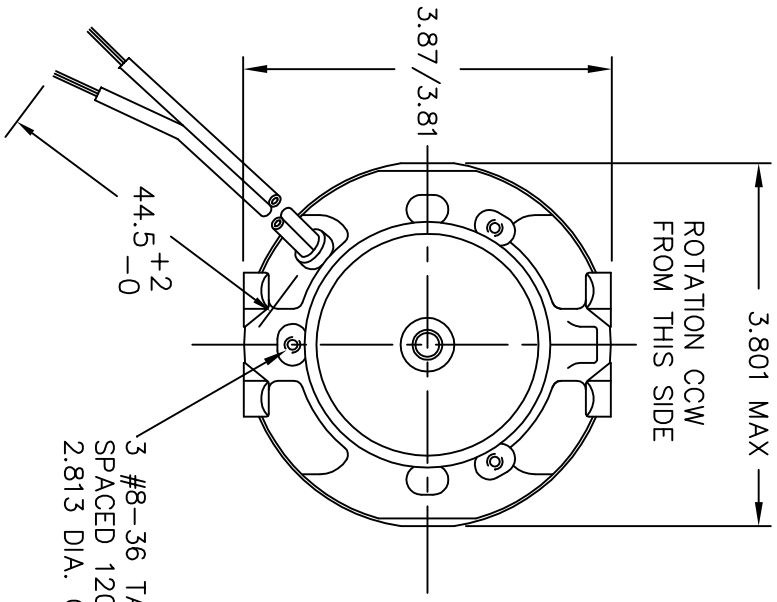


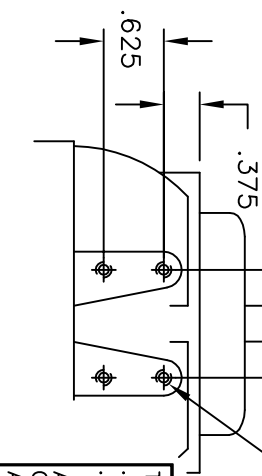
NO. A-23169

NO.	REVISIONS	DATE AND SIGNATURE
4	REMOVED 60/50HZ	6-11-02
5	ADDED MAX DIM'S	2-2-04
6	WAS A.O. SMITH	8-31-11



"M" MOUNTING TOP & BOTTOM BOSSES TAPPED #8-36 N.F. 8 HOLES TOTAL .375 MIN. DEPTH.

OUTLINE DIMENSIONS ON WHICH NO LIMIT IS SPECIFIED ARE NOMINAL AND NOT GUARANTEED AS TO TOLERANCE. ADDITIONAL INFORMATION ON TOLERANCES WILL BE FURNISHED ON SPECIFIC REQUEST.



TOLERANCE  
 .0000=±.0002 .000=±.005  
 .00=±.010 FRACTION=±1/64  
 0°=±.30° 0°=±.5° 0°0'0"=REF. ONLY  
 ABOVE TOLERANCES APPLY UNLESS OTHERWISE SPECIFIED TOLERANCES ARE NOT ACCUMULATIVE.

<b>ELECTRIC MOTORS AND SPECIALTIES INC.</b>		GARRETT, INDIANA 46738	
115V 60HZ CCW		MATERIAL	
FIRST MADE FOR		CUST NO.	
ESP-0115EMJR11 Regal Beloit EPC		277	
DRAWN BY		SCALE	
JIM NICHTER		1/2 SIZE	
DATE		APPROVED BY	
8-15-94		NO. A-23169	
TITLE		DATE	
MOTOR OUTLINE			