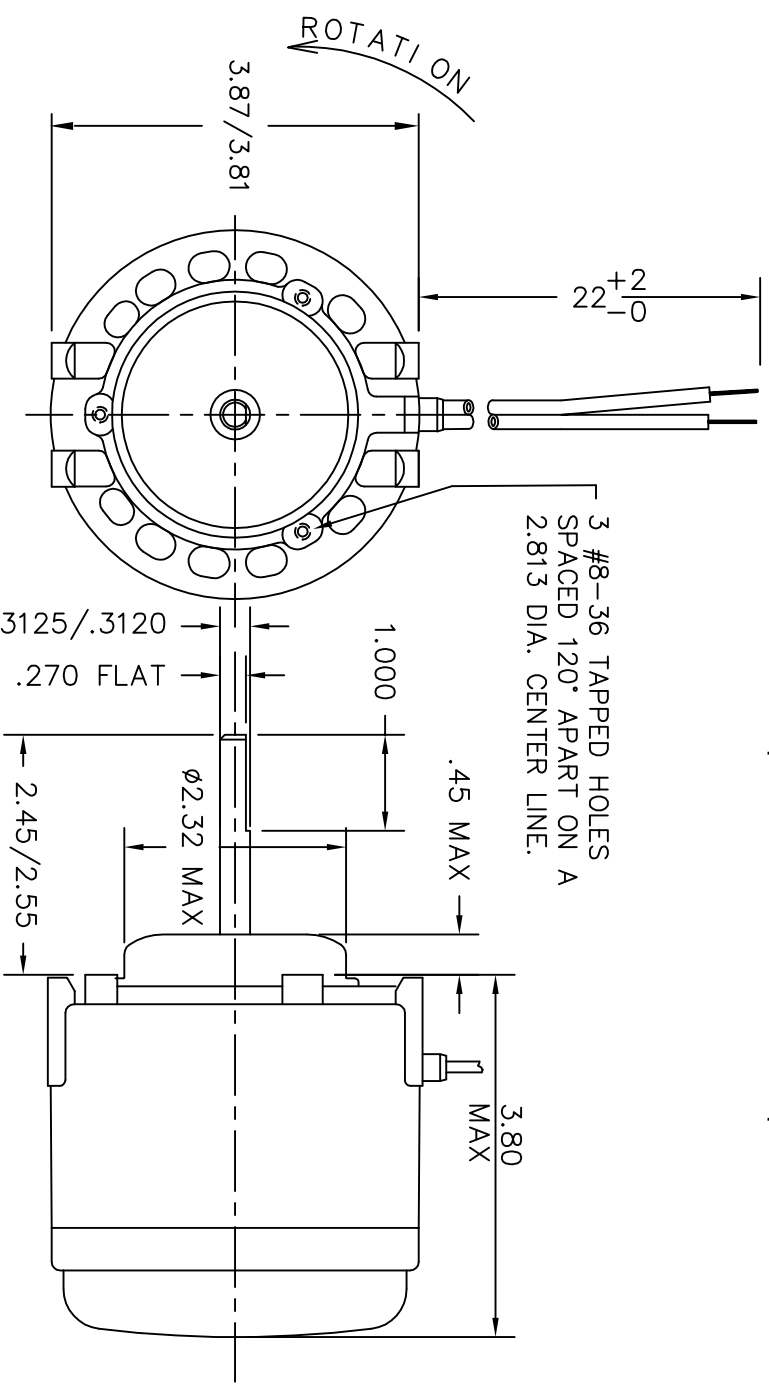
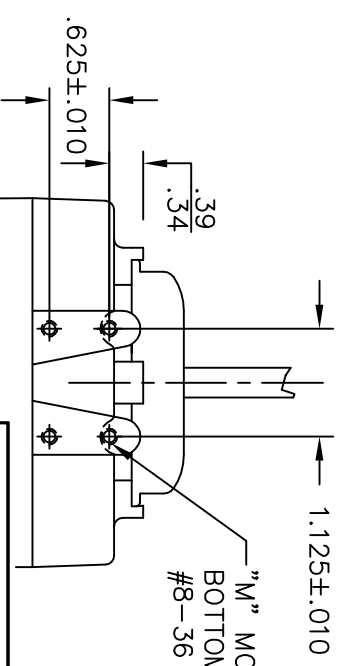


NO. A-23435

NO.	REVISIONS	DATE AND SIGNATURE
1	CORRECTED LEAD VIEW	5-29-98
2	CUST NAME WAS MAGNETEK	6-07-02
3	ADDED MAX DIM'S	2-3-04
4	LEAD WAS 9865-1-A	9-7-05
5	WAS A.O. SMITH	8-31-11



OUTLINE DIMENSIONS ON WHICH NO LIMIT IS SPECIFIED ARE NOMINAL AND NOT GUARANTEED AS TO TOLERANCE. ADDITIONAL INFORMATION ON TOLERANCE WILL BE FURNISHED ON SPECIFIC REQUEST.



TOLERANCE
 .0000±.0002 .000±.005
 .00±.010 FRACTION=±1/64
 0°±.30' 0'0°±.5' 0'0'0"=REF. ONLY
 ABOVE TOLERANCES APPLY UNLESS
 OTHERWISE SPECIFIED TOLERANCES
 ARE NOT ACCUMULATIVE.

ELECTRIC MOTORS AND SPECIALTIES INC.		230V 60HZ CCW		GARRETT, INDIANA 46738	
FIRST MADE FOR		ESP-OL50EMJR21 Regal Beloit EPC		MATERIAL CUST. 276	
DRAWN BY	DATE	SCALE	APPROVED BY		
JIM NICHTER	5-15-95	1/2 SIZE	DATE		
TITLE		NO. A-23435			
MOTOR OUTLINE					