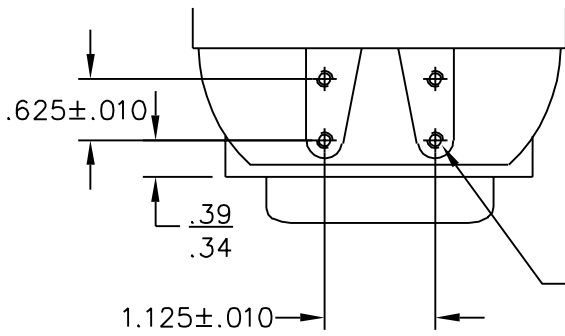


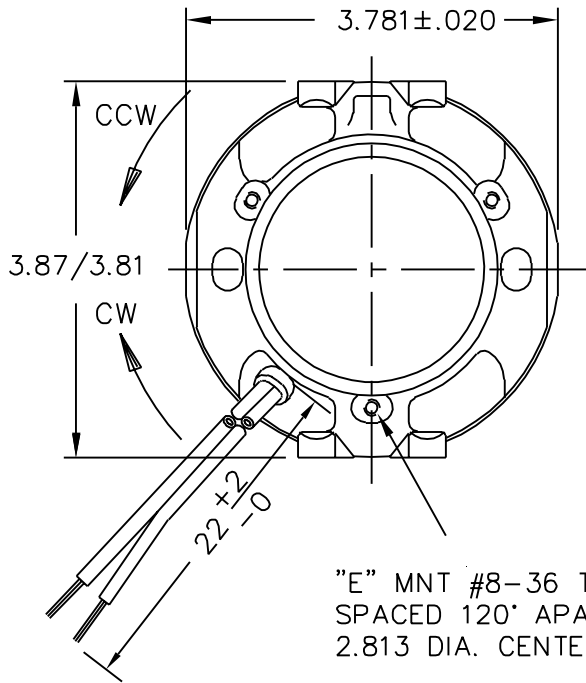
NO. A-23089

| NO. | REVISIONS | DATE AND SIGNATURE |
|-----|-----------------------------------|--------------------|
| 1 | ADDED MODEL NUMBERS | 11-9-94 |
| 2 | LEAD WAS (2) #10 EYELETS | 7-*6-98 |
| 3 | CUST NAME CHANGED WAS MAGNETEK | 6-07-02 |

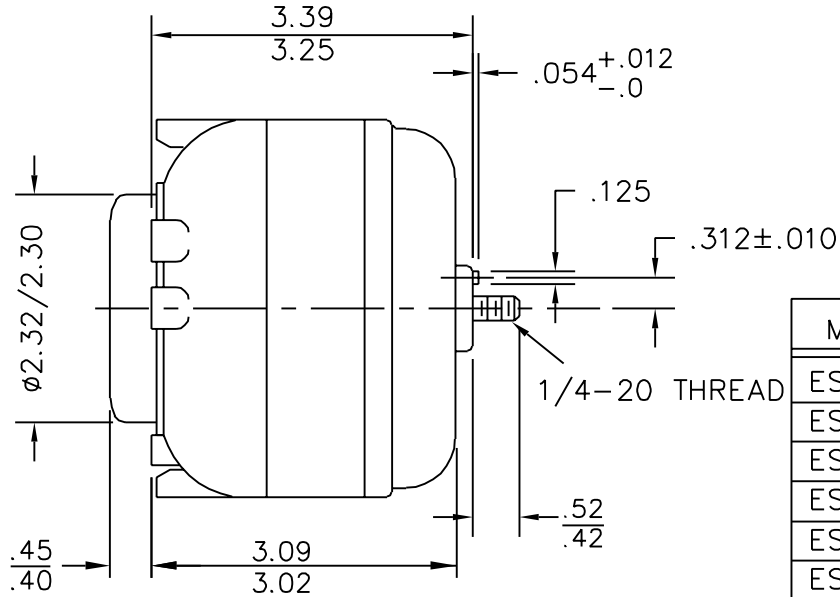


OUTLINE DIMENSIONS ON WHICH NO LIMIT IS SPECIFIED ARE NOMINAL AND NOT GUARANTEED AS TO TOLERANCE. ADDITIONAL INFORMATION ON TOLERANCE WILL BE FURNISHED ON SPECIFIC REQUEST.

"M" MOUNTING
#8-36 N.F. 4 HOLES TAPPED THRU
BOTH SIDES



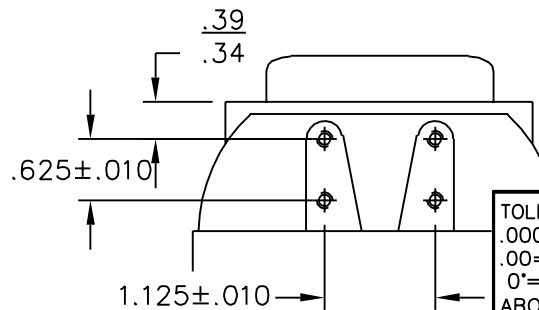
"E" MNT #8-36 TAPPED HOLES
SPACED 120° APART ON A
2.813 DIA. CENTER LINE.



A.O. SMITH

| MODEL | CUST NO. |
|-------------|----------|
| ESP-L16EM1 | = 246 |
| ESP-L16EM2 | = 248 |
| ESP-L16EMR1 | = 247 |
| ESP-L16EMR2 | = 249 |
| ESP-L25EM1 | = 250 |
| ESP-L25EM2 | = 252 |
| ESP-L25EMR1 | = 251 |
| ESP-L25EMR2 | = 253 |
| ESP-L35EM1 | = 254 |
| ESP-L35EM2 | = 256 |
| ESP-L35EMR1 | = 255 |
| ESP-L35EMR2 | = 257 |

R = CCW ROTATION



TOLERANCE
.0000=±.0002 .000=±.005
.00=±.010 FRACTION=±1/64
0°=±30° 0'0°=±5° 0'0'0°=REF. ONLY
ABOVE TOLERANCES APPLY UNLESS
OTHERWISE SPECIFIED TOLERANCES
ARE NOT ACCUMULATIVE.

| | | | |
|---|--|--------------------------|--|
| ELECTRIC MOTORS AND SPECIALTIES INC. | | | |
| 230V 60/50HZ CW GARRETT, INDIANA 46738 | | | |
| FIRST MADE FOR ESP-L16EM2 | | A.O. SMITH | |
| DRAWN BY JIM NICHTER | | DATE 4-11-94 | |
| TITLE MOTOR OUTLINE | | MATERIAL CUST NO. 248 | |
| SCALE 1/2 SIZE | | APPROVED BY DATE | |
| | | NO. A-23089 | |