

4

3

2

1

REV	ECO	REV BY	DATE	APPD	DATE
B	0025356	J.M.Ramirez	04-12-2012	R.Rascon	04-12-2012

GENERAL INFORMATION:

SHAFT RUNOUT: .001 [.03] T.I.R. PER INCH LENGTH OF EXTENSION

END PLAY: .010 TO .063 [.25 TO 1.60]

BEARINGS: SLEEVE

MOUNTING POSITION: HORIZONTAL

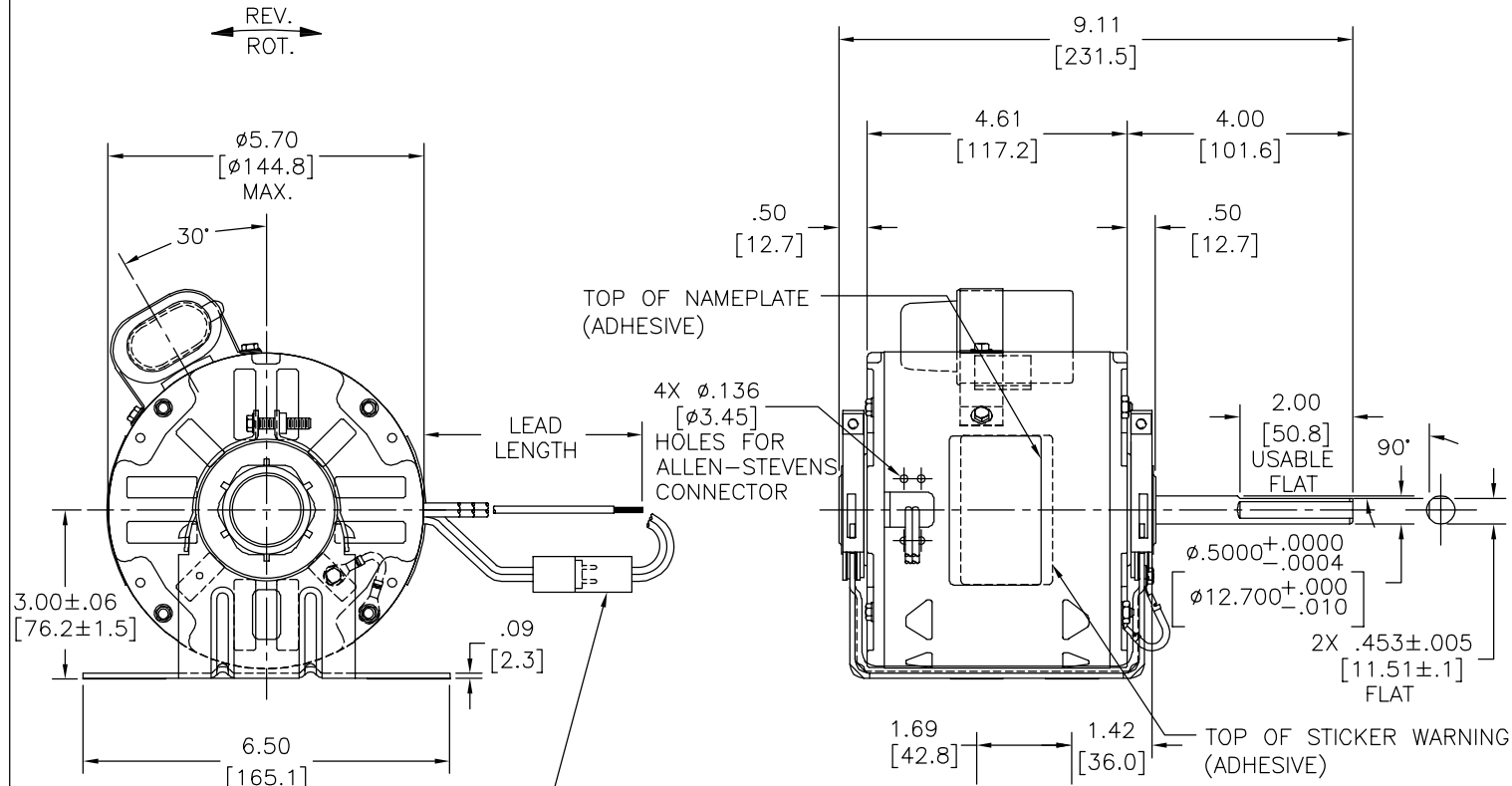
ELECTRICAL DATA:

OVERLOAD PROTECTOR: AUTOMATIC RESET (T.I. 7AM 036)

LEADS: NO. 18 GA., .06 [1.5] THK. PVC 105°C INSUL.

REVERSING PLUGS: NO. 18 GA., .03 [.8] THK. XLP 125°C INSUL.

GROUND LEAD: NO. 18 GA., .03 [.8] THK. (GREEN/YELLOW) INSUL.



- NOTES:
- DISTRIBUTION PART NUMBER: 160A  
GRAINGER PART NUMBER: 2FGP4
  - (2) SCREWS 21P91-37  
(2) MOUNTING RINGS 31D2915P01  
(1) STOP PLATE 46P111-3  
(1) CONNECTOR 614715  
TO BE PUT IN POLY BAG AND SHIPPED WITH EACH MOTOR

COLOR	LENGTH	TERMINAL OR STRIP LENGTH
GREEN/YELLOW (GROUND)	CONNECTED TO BASE	#10 EYELET
BLACK/WHITE	3.0/5.0 [76/127]	REVERSING PLUG
BROWN	CONNECTED TO CAPACITOR	.25 [6.4] FLAG
BROWN/WHITE	CONNECTED TO CAPACITOR	.25 [6.4] FLAG
WHITE	35.0/37.0 [889/940]	.50 [12.7] SKIN
BLACK	35.0/37.0 [889/940]	.50 [12.7] SKIN

MAIN FRAME - OLE	SEMI-ENCL.
END FRAME - OLE	OPEN
MAIN FRAME - LE	SEMI-ENCL.
END FRAME - LE	OPEN

CUSTOMER	DISTRIBUTION SERVICE
----------	----------------------

NAMEPLATE DATA:

MODEL NO.: F48Y62A01  
CUST. P/N: SEE NOTE #1  
HP: 1/3  
ROT.: REVERSIBLE  
RPM: 1625  
TYPE: UF  
FRAME: 48Y  
VOLTS: 208-230  
PH: 1  
AMPS: 3.0  
HZ: 60  
INS.: B  
AMB.: 60° C  
DUTY: AIR OVER  
CAP.: 5 MFD/370 V  
ENCL: SEMI-ENCL.  
UL LOGO  
CSA LOGO  
THERMALLY PROTECTED

EXTERNAL CONNECTION DIAGRAM

SEP. CAP.

BROWN

BRN/WHT

WHITE

BLACK

LINE

ROTATION

BLACK

WHITE

CCWLE

WHITE

BLACK

CWLE

614131-242

PERFORMANCE CURVE NO.	TORQUE @ 1625 RPM (25°C)	APPROVED SAMPLE	UL COMPONENT FILE #	CCN #	CSA FILE #	CLASS #
C32639	30.7 OZ. FT.	0600523B	E46412	PRGY2	LR43341	4211-01

GEOMETRIC CHARACTERISTICS & SYMBOLS

- FLATNESS
- STRAIGHTNESS
- ∠ ANGULARITY
- ⊥ PERPENDICULARITY (SQUARENESS)
- // PARALLELISM
- ROUNDNESS (CIRCULARITY)
- ⊘ CYLINDRICITY
- △ PROFILE OF ANY SURFACE
- ∩ PROFILE OF ANY LINE
- ↑ RUNOUT
- ⊕ TRUE POSITION
- ◎ CONCENTRICITY
- = SYMMETRY

ASME Y14.5M 1994

A.O. SMITH PROVIDES TECHNICAL ASSISTANCE TO OUR CUSTOMERS IN SEVERAL AREAS. SINCE A.O. SMITH DOES NOT RECEIVE ALL DATA CONCERNING THE USE AND APPLICATION OF THE MOTOR, THE SUITABILITY OF THE MOTOR FOR THE APPLICATION MUST BE DETERMINED BY THE CUSTOMER.

DIMENSIONS WITHOUT TOLERANCES ARE FOR REFERENCE ONLY.

DR BY: J.Rupert 04-25-2011

APPD: J.Rupert 04-25-2011

THIRD ANGLE PROJECTION

EDS DATE 11-11-2011  
FORMAT REV G

CONFIDENTIAL: THIS DRAWING AND ITS INFORMATION ARE THE EXCLUSIVE AND CONFIDENTIAL PROPERTY OF REGAL-BELOIT CORPORATION AND ARE NOT TO BE DISCLOSED, DUPLICATED, DISTRIBUTED OR OTHERWISE USED WITHOUT THE WRITTEN CONSENT OF REGAL-BELOIT CORPORATION. -ALL RIGHTS RESERVED.

REGAL-BELOIT CORPORATION

DESCRIPTION: OUTLINE

SIZE: C DWG NO: 160A

SCALE: NONE SHEET: 1

4

3

2

1

4

3

2

1

REVISION:	ECO	REVISADO POR:	FECHA:	APROBADO POR:	FECHA:
B	0025356	J.M.Ramirez	04-12-2012	R.Rascon	04-12-2012

INFORMACION GENERAL:

OSCILACION DE FLECHA: .001 [.03] T.I.R. PER INCH LENGTH OF EXTENSION

JUEGO AXIAL: .010 A .063 [.25 A 1.60]

BALEROS: MANGA

POSICION DEL MONTAJE: HORIZONTAL

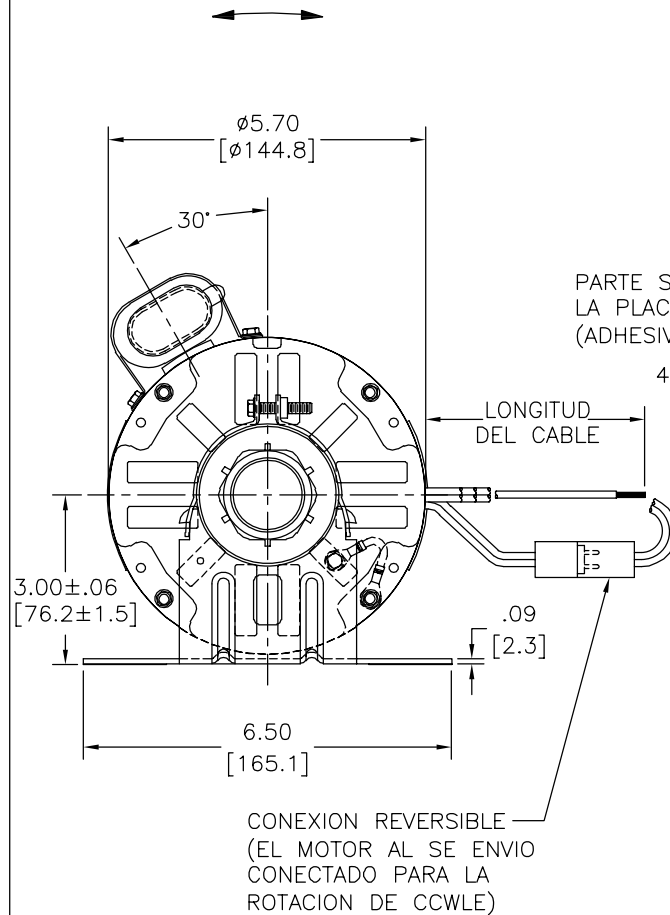
INFORMACION ELECTRICA:

PROTECTOR DE SOBRECARGA: REINICIO AUTOMATICO (T.I. 7AM 036)

CABLES: NO. 18 GA., .06 [1.5] THK. PVC 105°C AISLAM.

CONEXION REVERSIBLE:

CABLE DE TIERRA: NO. 18 GA., .03 [.8] THK. (VERDE/AMARILLO) AISLAM.



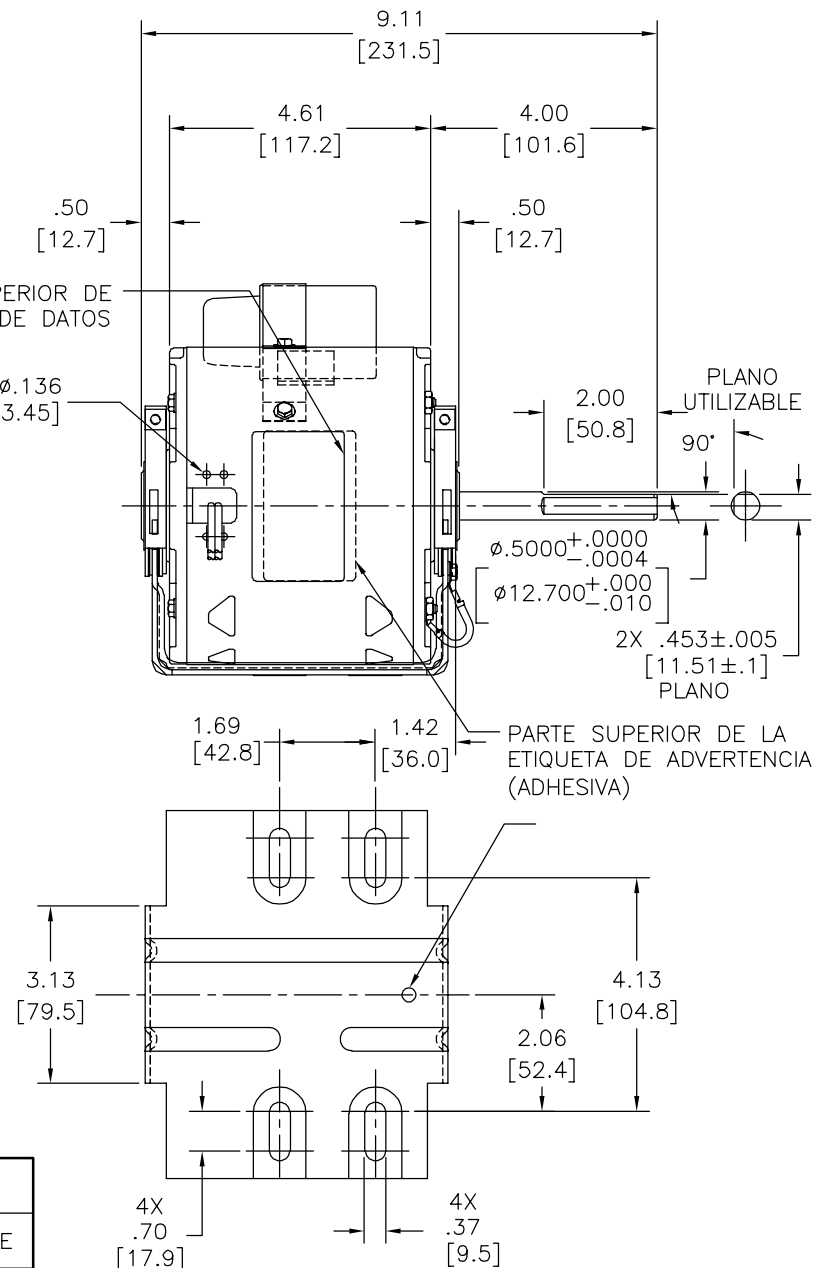
PARTE SUPERIOR DE LA PLACA DE DATOS (ADHESIVA)

4X Ø.136 [Ø3.45]

LONGITUD DEL CABLE

CONEXION REVERSIBLE (EL MOTOR AL SE ENVIO CONECTADO PARA LA ROTACION DE CCWLE)

NOTAS:  
1. NO. DE PARTE DE DISTRIBUCION: 160A  
NO. DE PARTE GRAINGER: 2FGP4



PARTE SUPERIOR DE LA ETIQUETA DE ADVERTENCIA (ADHESIVA)

4X .70 [17.9]

4X .37 [9.5]

VERDE/AMARILLO (TIERRA)	CONECTADO A LA BASE	OJAL #10
NEGRO/BLANCO	3.0/5.0 [76/127]	CONEXION REVERSIBLE
CAFE/BLANCO	CONECTADO AL CAPACITOR	.25 [6.4] BANDERA
CAFE	CONECTADO AL CAPACITOR	.25 [6.4] BANDERA
BLANCO	35.0/37.0 [889/940]	.50 [12.7] DEL PIEL
NEGRO	35.0/37.0 [889/940]	.50 [12.7] DEL PIEL
COLOR	LONGITUD	TERMINAL O LONGITUD DE DESFORRE

CARCASA - LOC	SEMI-ENCERRADO
TAPA - LOC	ABIERTA
CARCASA - LC	SEMI-ENCERRADO
TAPA - LC	ABIERTA

CLIENTE	DISTRIBUTION SERVICE
---------	----------------------

INFORMACION DE ETIQUETA:	DIAGRAMA DE CONEXION EXTRNA
MODEL NO.: F48Y62A01 CUST. P/N: SEE NOTE #1 HP: 1/3 ROT.: REVERSIBLE RPM: 1625 TYPE: UF FRAME: 48Y VOLTS: 208-230 PH: 1 AMPS: 3.0 HZ: 60 INS.: B AMB.: 60° C DUTY: AIR OVER CAP.: 5 MFD/370 V ENCL: SEMI-ENCL. UL LOGO CSA LOGO THERMALLY PROTECTED	SEP. CAP. BROWN BRN/WHT WHITE BLACK LINE ROTATION BLACK BLACK WHITE WHITE CCWLE BLACK WHITE WHITE BLACK CWLE

CURVAS DE FUNCIONAMIENTO	TORSION @ 1625 RPM (25°C)	MUESTRA APROBADA	COMPONENTE UL	CSA
C32639	30.7 OZ. FT.	0600523B	#ARCHIVO PRGY2 LR43341	CLASE # 4211-01

CARACTERISTICAS DE GEOMETRIA Y SIMBOLOS  
 □ PLANICIDAD  
 — RECTITUD  
 < ANGULARIDAD  
 ⊥ PERPENDICULARIDAD (A ESCUADRA)  
 // PARALELISMO  
 ○ REDONDEZ (CIRCULARIDAD)  
 ∅ CILINDRICIDAD  
 △ PERFIL DE CUALQUIER SUPERFICIE  
 ∩ PERFIL DE CUALQUIER LINEA  
 ↗ VARIACION  
 ⊕ POSICION REAL  
 ⊙ CONCENTRICIDAD  
 = SIMETRIA  
 ASME Y14.5M 1994

A.O. SMITH PROVEE ASISTENCIA TECNICA A NUESTROS CLIENTES EN VARIAS AREAS. DESDE QUE A.O. SMITH NO RECIBE TODOS LOS DATOS EN RELACION AL USO Y A LA APLICACION DEL MOTOR, LA APLICACION ADECUADA DEL MOTOR DEBE SER DETERMINADA POR EL CLIENTE.

DIMENSIONES SIN TOLERANCIA SON DE REFERENCIA SOLAMENTE

DIBUJADO POR:	J.Rupert	04-25-2011
APROBADO POR:	J.Rupert	04-25-2011
TERCER ANGULO DE PROYECCION	⊕	FECHA EDS: 11-11-2011 REV. FORMATO: G
CONFIDENCIAL: ESTE DIBUJO Y SU INFORMACION SON PROPIEDAD DE USO EXCLUSIVO Y CONFIDENCIAL DE REGAL-BELOIT CORPORATION. Y NO DEBERAN SER REVELADOS, DUPLICADOS, DISTRIBUIDOS O USARSE DE OTRA MANERA SIN EL CONSENTIMIENTO ESCRITO DE REGAL-BELOIT CORPORATION. -TODOS LOS DERECHOS RESERVADOS.		

**REGAL-BELOIT CORPORATION**

DESCRIPCION: **OUTLINE**

TAMAÑO: C NUMERO DE DIBUJO: 160A

ESCALA: NONE HOJA: 1

4

3

2

1

4

3

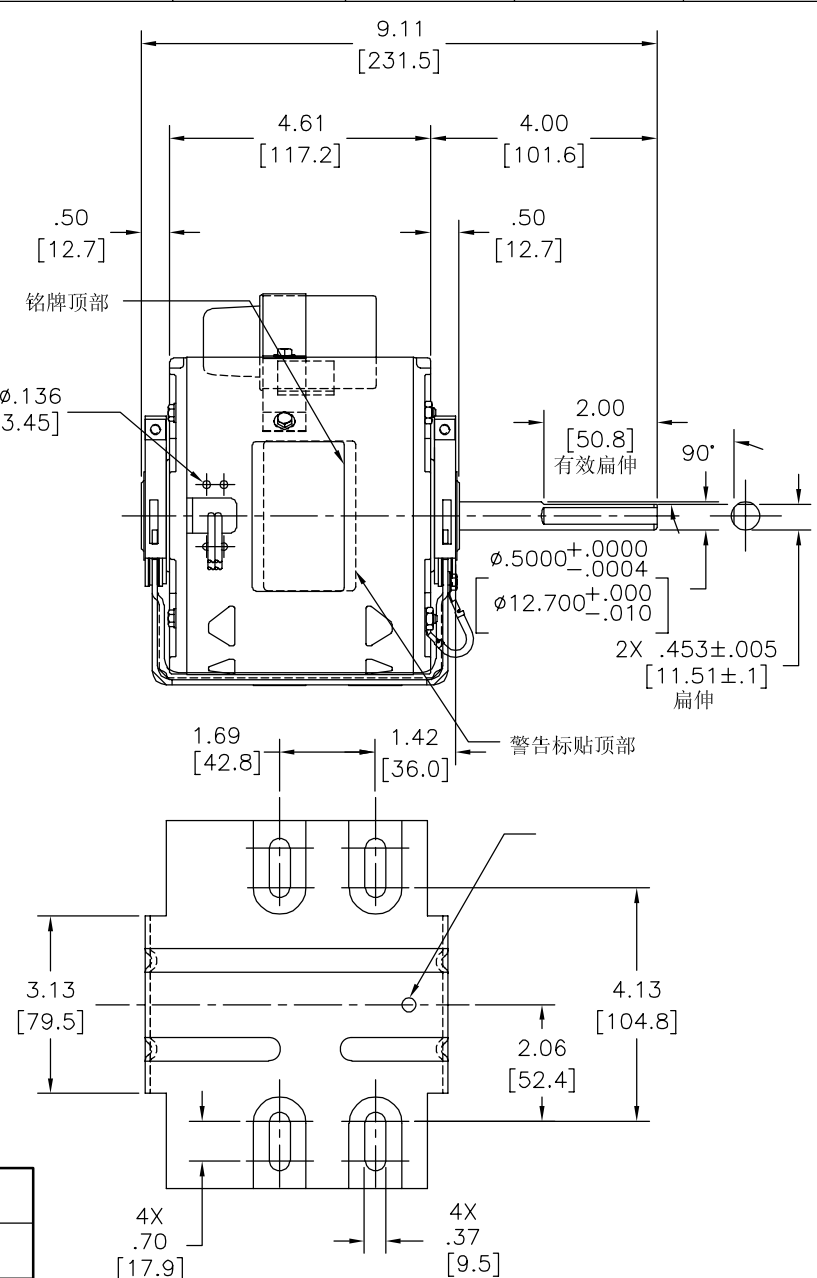
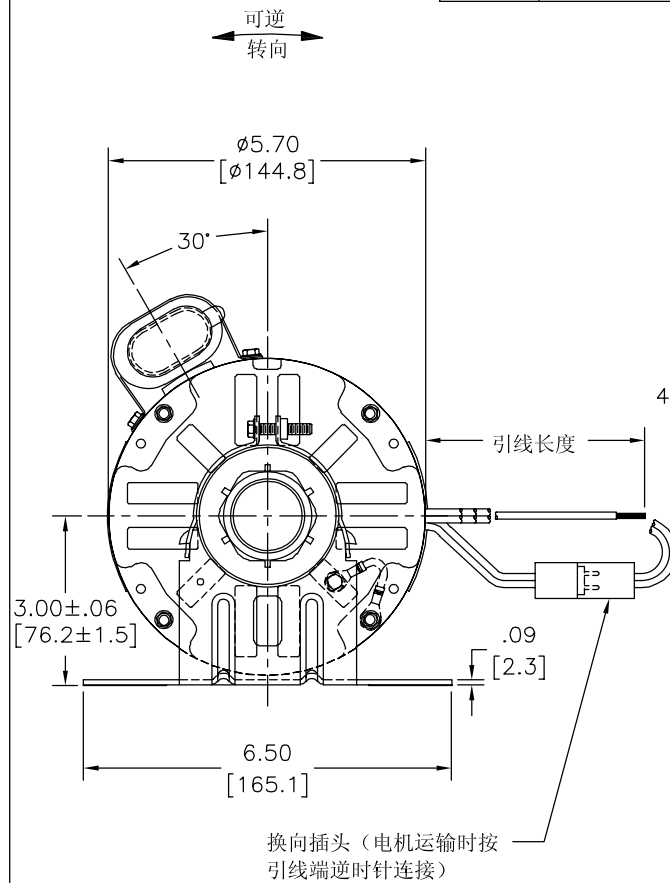
2

1

总技术要求:

- 轴跳动: .001[.03]/1[25.4]外伸轴
- 端部窜动量: .010 到 .063 [.25 到 1.60]
- 轴承: 含油轴承
- 安装位置: 水平
- 电气数据:
- 过载保护: 自动复位 (T. I. 7AM 036)
- 引线: 18# (美制标准), 厚.06[1.5] PVC 105° C 绝缘
- 换向线: 18# (美制标准), 厚.03 [0.8] XLP 125° C 绝缘
- 接地线: 18# (美制标准), 厚.03[0.8]绿色绝缘

版本	ECO	编制	日期	批准	日期
B	0025356	J.M.Ramirez	04-12-2012	R.Rascon	04-12-2012



绿色 (接地线)		#10 带环线
黑/白	3.0/5.0 [76/127]	翻边插头
棕		.25 [6.4] 旗形插
棕/白		.25 [6.4] 旗形插
白	35.0/37.0 [889/940]	.50 [12.7] 剥皮
黑	35.0/37.0 [889/940]	.50 [12.7] 剥皮
颜色	长度	端子或剥线长度

无引线端机壳	
无引线端端盖	开放
有引线端机壳	
有引线端端盖	开放
密封性	

用户	DISTRIBUTION SERVICE
----	----------------------

铭牌数据	外部数据线
MODEL NO.: F48Y62A01 CUST. P/N: SEE NOTE #1 HP: 1/3 ROT.: REVERSIBLE RPM: 1625 TYPE: UF FRAME: 48Y VOLTS: 208-230 PH: 1 AMPS: 3.0 HZ: 60 INS.: B AMB.: 60° C DUTY: AIR OVER CAP.: 5 MFD/370 V ENCL: SEMI-ENCL. UL LOGO CSA LOGO THERMALLY PROTECTED	SEP. CAP. BROWN BRN/WHT WHITE BLACK LINE ROTATION BLACK BLACK WHITE WHITE CCWLE WHITE WHITE BLACK CWLE

性能曲线编号	转矩在 @ 1625 RPM (25° C)	批准样品	UL部件	CSA
C32639	30.7 OZ. FT.	0600523B	文件号 指南	文件号 指南
			E46412 PRGY2	LR43341 4211-01

- 形位公差
- 平面度
- 直线度
- ∠ 倾斜度
- ⊥ 垂直度
- // 平行度
- 圆度
- ⊘ 圆柱度
- △ 面轮廓度
- ∩ 线轮廓度
- ∩ 圆跳动
- ⊕ 位置度
- ⊙ 同轴度
- ≡ 对称度

ASME Y14.5M 1994

A. O. SMITH在个别领域为客户  
提供技术支持。鉴于A. O. SMITH  
未收到任何涉及电机使用和  
应用环境的数据, 电机的适用性  
由客户自己决定。

未注公差尺寸仅供参考。

绘图:	J.Rupert	04-25-2011
批准:	J.Rupert	04-25-2011
第三角投影		图纸格式发布日期 11-11-2011 图纸格式版本 G
机密: 本图纸及相关信息所有权归REGAL-BELOIT CORPORATION 未经REGAL-BELOIT CORPORATION书面授权, 不得泄露、 复制、传播或作其他用途。—版权所有		

名称 OUTLINE	
图幅 C	图号 160A
比例 NONE	页号 1

4

3

2

1