

GENERAL INFORMATION:

SHAFT RUNOUT: .001 [.03] T.I.R. PER INCH LENGTH OF EXTENSION

BEARINGS: BALL

MOUNTING POSITION: HORIZONTAL

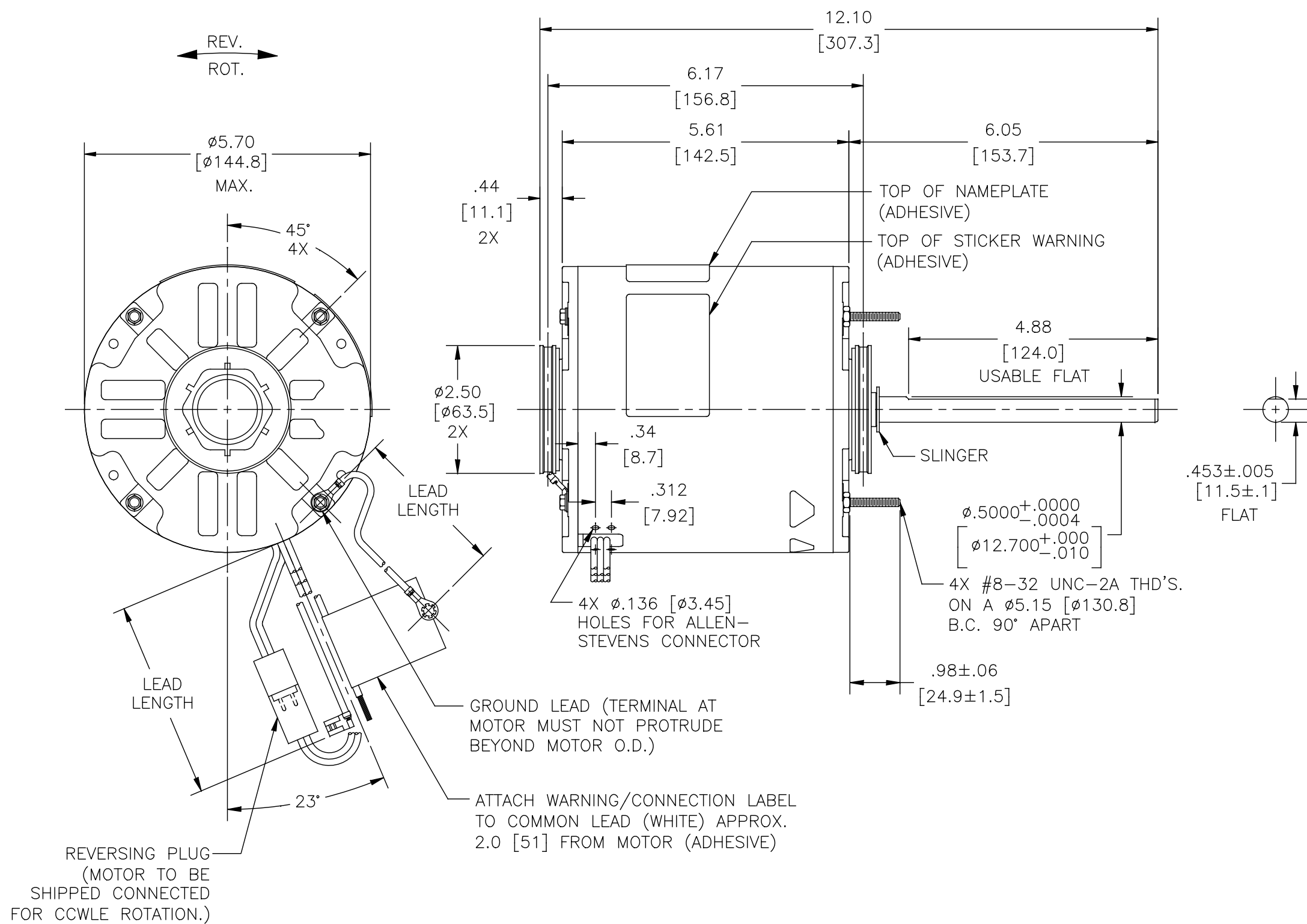
ELECTRICAL DATA:

OVERLOAD PROTECTOR: AUTOMATIC RESET (T.I. 7AM 036)

LEADS: NO. 18 GA., .06 [1.5] THK. PVC 105°C INSUL.

REVERSING PLUGS: NO. 18 GA., .03 [.8] THK. XLP 125°C INSUL.

GROUND LEAD: NO. 18 GA., .03 [.8] THK. (GREEN/YELLOW) INSUL.



| NAMEPLATE DATA:  | EXTERNAL CONNECTION DIAGRAM |
|--|-----------------------------|
| MODEL NO.: F48Y35A01<br>CUST. P/N: 158A<br>HP: 3/4<br>ROT.: REVERSIBLE<br>RPM: 1075<br>TYPE: UF<br>FRAME: 48Y<br>VOLTS: 460<br>PH: 1<br>AMPS: 2.1<br>HZ: 50/60<br>INS.: B<br>AMB.: 60° C<br>DUTY: AIR OVER<br>CAP.: 10 MFD/370 V<br>ENCL: SEMI-ENCL.<br>UL LOGO<br>CSA LOGO<br>THERMALLY PROTECTED |                             |

| PERFORMANCE CURVE NO. | TORQUE @ 1075 RPM (25°C) | APPROVED SAMPLE | UL COMPONENT |       | CSA     |         |
|-----------------------|--------------------------|-----------------|--------------|-------|---------|---------|
|                       |                          |                 | FILE #       | CCN # | FILE #  | CLASS # |
| C32615                | 65.6 OZ. FT.             | 0600547B        | E46412       | PRGY2 | LR43341 | 4211-01 |

| COLOR                 | LENGTH              | TERMINAL OR STRIP LENGTH |
|-----------------------|---------------------|--------------------------|
| GREEN/YELLOW (GROUND) | 11.0/13.0 [279/330] | #10 EYELET               |
| BLACK/WHITE           | 3.0/5.0 [76/127]    | REVERSING PLUG           |
| BROWN                 | 22.0/24.0 [559/610] | .25 [6.4] FLAG           |
| BROWN/WHITE           | 22.0/24.0 [559/610] | .25 [6.4] FLAG           |
| WHITE                 | 22.0/24.0 [559/610] | .50 [12.7] SKIN          |
| BLACK                 | 22.0/24.0 [559/610] | .50 [12.7] SKIN          |

REGAL-BELOIT CORPORATION (RBC) PROVIDES TECHNICAL ASSISTANCE TO OUR CUSTOMERS IN SEVERAL AREAS. SINCE RBC DOES NOT RECEIVE ALL DATA CONCERNING THE USE AND APPLICATION OF THE MOTOR, THE SUITABILITY OF THE MOTOR FOR THE APPLICATION MUST BE DETERMINED BY THE CUSTOMER.

DIMENSIONS WITHOUT TOLERANCES ARE FOR REFERENCE ONLY.

|                  |            |
|------------------|------------|
| MAIN FRAME - OLE | SEMI-ENCL. |
| END FRAME - OLE  | ENCLOSED   |
| MAIN FRAME - LE  | SEMI-ENCL. |
| END FRAME - LE   | OPEN       |

| CUSTOMER | DISTRIBUTION SERVICE |
|----------|----------------------|
|          |                      |

| DRAWING REVISION | REVISION BY | DATE       |
|------------------|-------------|------------|
| C                | B.JI        | 10-10-2016 |
| ECO-0110281      | J.ZHU       | 10-10-2016 |

ECO DESCRIPTION: ONLY UPDATE THE DRAWING

COPYRIGHT REGAL-BELOIT AMERICA, INC. ALL RIGHTS RESERVED. PROPRIETARY AND CONFIDENTIAL INFORMATION - THIS DOCUMENT IS THE PROPERTY OF REGAL-BELOIT AMERICA, INC. (OWNER) AND CONTAINS OWNER'S PROPRIETARY INFORMATION. ANY PERSON, CORPORATION OR OTHER FIRM RECEIVING IT IS DEEMED, BY RECEIVING IT, TO AGREE THAT IT, AND/OR ANY PART OF IT, SHALL NOT BE DISCLOSED TO ANY PERSON, CORPORATION OR OTHER ENTITY, DUPLICATED, AND/OR USED, EXCEPT AS EXPRESSLY APPROVED IN WRITING IN ADVANCE BY OWNER. THIS DOCUMENT SHALL BE RETURNED TO OWNER UPON REQUEST. IT MAY BE SUBJECT TO CERTAIN RESTRICTIONS UNDER APPLICABLE EXPORT CONTROL LAWS AND REGULATIONS.

|                       |                  |
|-----------------------|------------------|
| DRAWN BY: J.RUPERT    | DATE: 04-25-2011 |
| APPROVED BY: J.RUPERT | DATE: 04-25-2011 |
| REFERENCE:            |                  |

|                                      |                   |
|--------------------------------------|-------------------|
| Regal Beloit America, Inc.           |                   |
| DESCRIPTION: MODEL-RFHP-48FR OUTLINE |                   |
| MATERIAL:                            | PROCESS/FINISH:   |
| THIRD ANGLE PROJECTION               | SIZE DWG NO: 158A |
|                                      | SHEET 1           |