

4

3

2

1

| | | | | | |
|-----|---------|-----------|------------|----------|------------|
| REV | ECO | REV BY | DATE | APPD | DATE |
| E | 0025525 | E.SINECIO | 04-23-2012 | R.RASCON | 04-23-2012 |

GENERAL INFORMATION:

SHAFT RUNOUT: .001 [.03] T.I.R. PER INCH LENGTH OF EXTENSION

END PLAY: .010 TO .063 [.25 A 1.60]

BEARINGS: 201 BALL

MOUNTING POSITION: ALL ANGLE

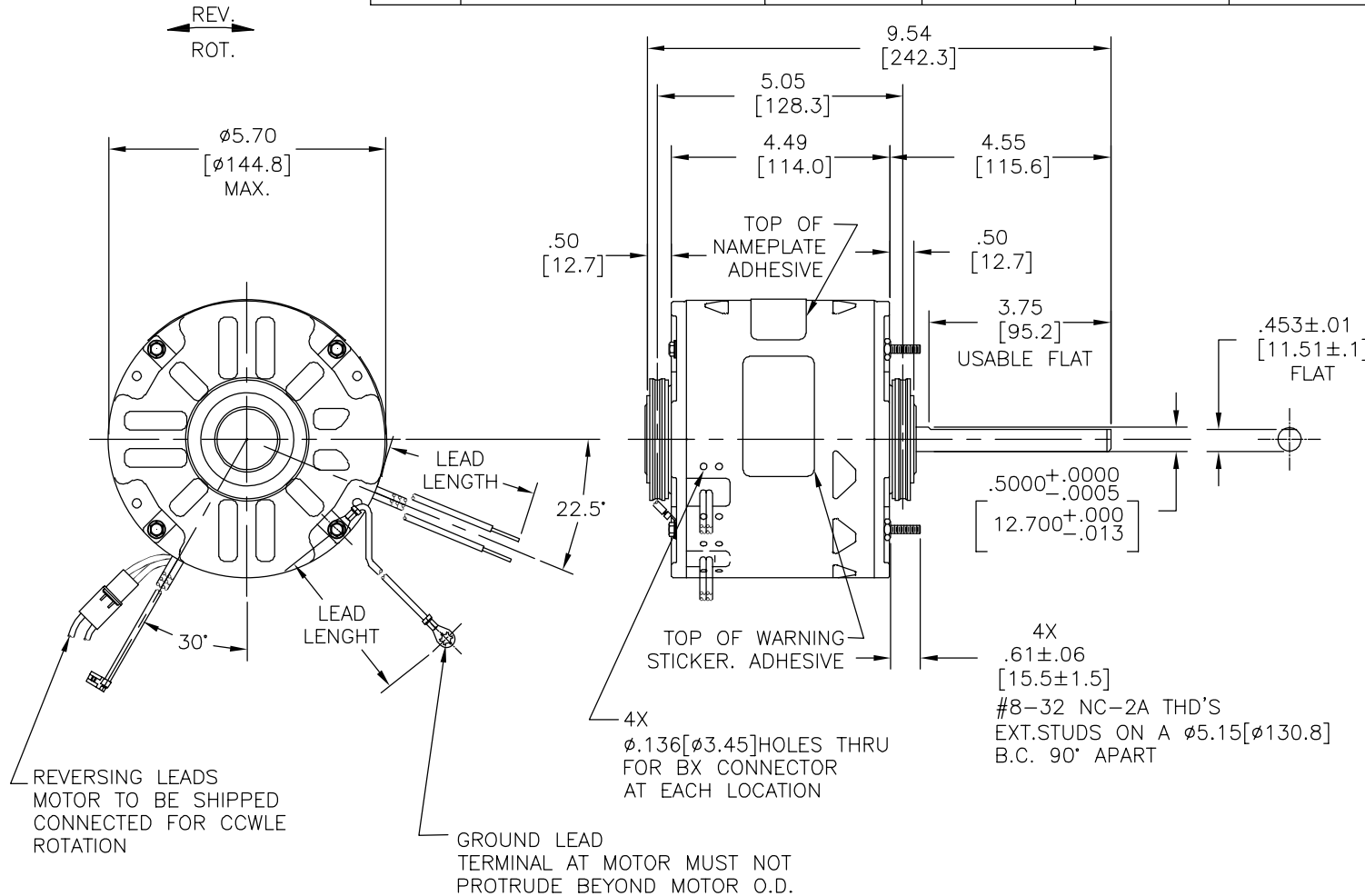
ELECTRICAL DATA:

OVERLOAD PROTECTOR: AUTOMATIC RESET (T.I. 7AM 036)

LEADS: NO. 18 GA., .06 [1.5] THK. PVC 105°C INSUL.

REVERSING LEADS: NO. 18 GA., .03 [.8] THK. 125°C INSUL.

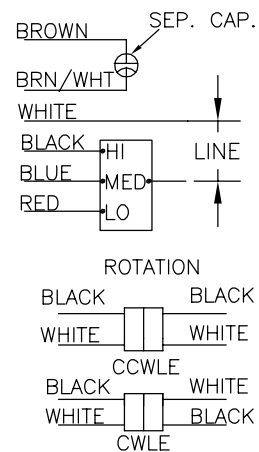
GROUND LEAD: NO. 18 GA., .03 [.8] THK. (GRN/YEL) INSUL.



NAMEPLATE DATA:

EXTERNAL CONNECTION DIAGRAM

MODEL NO.: F48Z23A01
 CUST. P/N: 148A
 HP: 1/3,1/4,1/6
 ROT.: REVERSIBLE
 RPM: 1075/3 SPD
 TYPE: UF
 FRAME: 48Y
 VOLTS: 115
 PH: 1
 AMPS: 5.3,3.9,3.0
 HZ: 60
 INS.: B
 AMB.: 60°C
 DUTY: AIR OVER
 CAP.: 5.0MFD/370V
 ENCL: SEMI-ENCL.
 UL LOGO
 CSA LOGO
 THERMALLY PROTECTED



614131-351

| | | |
|--------------|------------------------|--------------------------|
| GRN/YEL(GRD) | 11.0/13.0 [279/330] | #10 EYELET |
| BLACK/WHITE | 5.0/7.0 [127/178] | REVERSING PLUG(MALE) |
| BLACK/WHITE | 5.0/7.0 [127/178] | REVERSING PLUG(FEMALE) |
| BROWN | 22.0/24.0 [559/610] | .25[6.4] FLAG |
| BROWN/WHITE | 22.0/24.0 [559/610] | .25[6.4] FLAG |
| WHITE | 22.0/24.0 [559/610] | .50[12.7] SKIN |
| BLACK | 22.0/24.0 [559/610] | .50[12.7] SKIN |
| BLUE | 22.0/24.0 [559/610] | .50[12.7] SKIN |
| RED | 22.0/24.0 [559/610] | .50[12.7] SKIN |
| COLOR | LENGTH | TERMINAL OR STRIP LENGTH |

| | |
|------------------|-----------|
| MAIN FRAME - OLE | SEMI-ENCL |
| END FRAME - OLE | OPEN |
| MAIN FRAME - LE | SEMI-ENCL |
| END FRAME - LE | OPEN |

| | |
|----------|-----------------------|
| CUSTOMER | DISTRIBUTION SERVICES |
|----------|-----------------------|

| | | | | | | |
|-----------------------|--------------------------|-----------------|---------------------|-------|------------|---------|
| PERFORMANCE CURVE NO. | TORQUE @ 1075 RPM (25°C) | APPROVED SAMPLE | UL COMPONENT FILE # | CCN # | CSA FILE # | CLASS # |
| C32692 | 34.1 OZ. FT. | 0604310A | E46412 | PRGY2 | LR43341 | 4211-01 |

GEOMETRIC CHARACTERISTICS & SYMBOLS

- FLATNESS
- STRAIGHTNESS
- ANGULARITY
- PERPENDICULARITY (SQUARENESS)
- PARALLELISM
- ROUNDNESS (CIRCULARITY)
- CYLINDRICITY
- PROFILE OF ANY SURFACE
- PROFILE OF ANY LINE
- RUNOUT
- TRUE POSITION
- CONCENTRICITY
- SYMMETRY

ASME Y14.5M 1994

REGAL-BELOIT CORPORATION (RBC) PROVIDES TECHNICAL ASSISTANCE TO OUR CUSTOMERS IN SEVERAL AREAS. SINCE RBC DOES NOT RECEIVE ALL DATA CONCERNING THE USE AND APPLICATION OF THE MOTOR, THE SUITABILITY OF THE MOTOR FOR THE APPLICATION MUST BE DETERMINED BY THE CUSTOMER.

DIMENSIONS WITHOUT TOLERANCES ARE FOR REFERENCE ONLY.

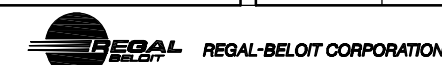
DR BY: Z.HONG 05-16-2007

APPD:

THIRD ANGLE PROJECTION

EDS DATE 02-22-2008
 FORMAT REV G

CONFIDENTIAL: THIS DRAWING AND ITS INFORMATION ARE THE EXCLUSIVE AND CONFIDENTIAL PROPERTY OF REGAL-BELOIT CORPORATION AND ARE NOT TO BE DISCLOSED, DUPLICATED, DISTRIBUTED OR OTHERWISE USED WITHOUT THE WRITTEN CONSENT OF REGAL-BELOIT CORPORATION. -ALL RIGHTS RESERVED.



DESCRIPTION: MODEL-RFHP-48FR OUTLINE

SIZE: C DWG NO: F48Z23A01

SCALE: NONE SHEET: 1

4

3

2

1

4

3

2

1

| | | | | | |
|-----------|---------|---------------|------------|---------------|------------|
| REVISION: | ECO | REVISADO POR: | FECHA: | APROBADO POR: | FECHA: |
| E | 0025525 | E.SINECIO | 04-23-2012 | R.RASCON | 04-23-2012 |

INFORMACION GENERAL:

OSCILACION DE FLECHA: .001[.03] L.T.I. POR PULGADA DE LONG. DE EXTENCION.

JUEGO AXIAL: .010 A .063 [.25 A 1.60]

BALEROS: 201 BALL

POSICION DEL MONTAJE: HORIZONTAL

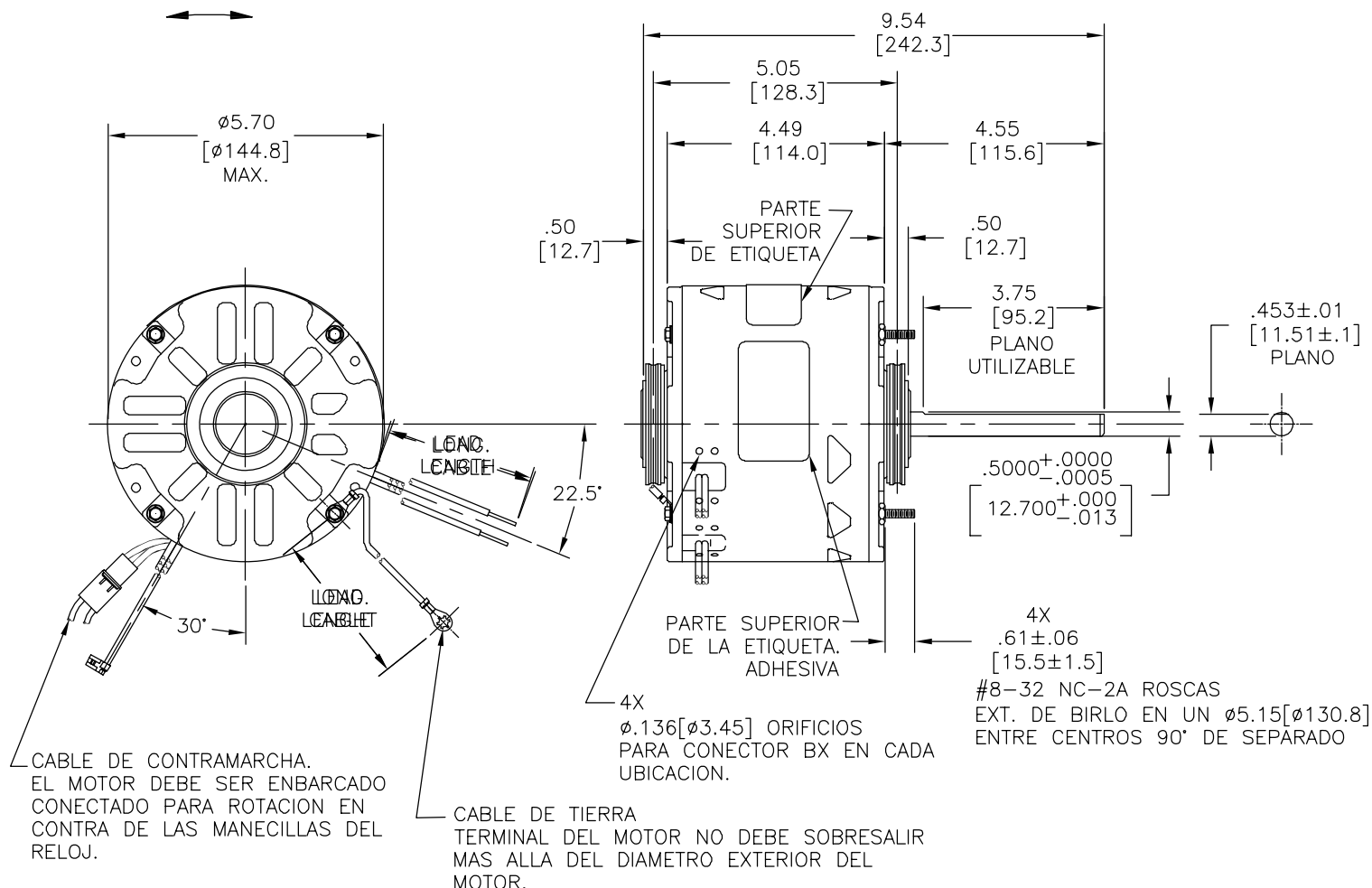
INFORMACION ELECTRICA:

SOBRECARGA DEL PROTECTOR: REINICIO AUTOMATICO (T.I. 7AM 036)

CABLES: NO.188GA.,.066[1.5] GROSOR (V.P.V.05'05'ONS) AISLAMIENTO

CABLE DE REVERSING LEADS: NO.188GA.,.063[1.8] GROSOR (V.P.V.05'05'ONS) AISLAMIENTO

CABLE DE TIERRA: NO.188GA.,.063[1.8] GROSOR (V.P.V.05'05'ONS) AISLAMIENTO



CABLE DE CONTRAMARCHA. EL MOTOR DEBE SER ENBARCADO CONECTADO PARA ROTACION EN CONTRA DE LAS MANECILLAS DEL RELOJ.

CABLE DE TIERRA. TERMINAL DEL MOTOR NO DEBE SOBRESALIR MAS ALLA DEL DIAMETRO EXTERIOR DEL MOTOR.

| | | |
|----------------|---------------------|---------------------------------|
| VE/AM (TIERRA) | 11.0/13.0 [279/330] | #10 EYELET |
| NEGRO/BCO, | 5.0/7.0 [127/178] | TAPON DE CONTRAMARCHA (MACHO) |
| NEGRO/BCO, | 5.0/7.0 [127/178] | TAPON DE CONTRAMARCHA (HEMBRA) |
| CAFE | 22.0/24.0 [559/610] | .25[6.4] BANDERA |
| CAFE/BCO. | 22.0/24.0 [559/610] | .25[6.4] BANDERA |
| BLANCO | 22.0/24.0 [559/610] | .50[12.7] FORRO |
| NEGRO | 22.0/24.0 [559/610] | .50[12.7] FORRO |
| AZUL | 22.0/24.0 [559/610] | .50[12.7] FORRO |
| ROJO | 22.0/24.0 [559/610] | .50[12.7] FORRO |
| COLOR | LONGITUD | TERMINAL O LONGITUD DE DESFORRE |

| | |
|------------------|-----------|
| DE CARCASA - OLE | SEMI-ENCL |
| DE TAPA - OLE | ABIERTO |
| DE CARCASA - LE | SEMI-ENCL |
| DE TAPA - LE | ABIERTO |

| | |
|---------|---------------------------|
| CLIENTE | SERVICIOS DE DISTRIBUCION |
|---------|---------------------------|

| INFORMACION DE ETIQUETA: | DIAGRAMA DE CONEXION EXTRNA |
|---|-----------------------------|
| MODEL NO.: F48Z23A01 CUST. P/N: 148A HP: 1/3,1/4,1/6 ROT.: REVERSIBLE RPM: 1075/3 SPD TYPE: UF FRAME: 48Y VOLTS: 115 PH: 1 AMPS: 5.3,3.9,3.0 HZ: 60 INS.: B AMB.: 60°C DUTY: AIR OVER CAP.: 5.0MFD/370V ENCL: SEMI-ENCL. UL LOGO CSA LOGO THERMALLY PROTECTED | |

| | | | | |
|--------------------------|---------------------------|------------------|----------------|------------------|
| CURVAS DE FUNCIONAMIENTO | TORSION @ 1075 RPM (25°C) | MUESTRA APROBADA | COMPONENTE UL | CSA |
| C32692 | 34.1 OZ. FT. | 0604310A | #ARCHIVO CCN # | #ARCHIVO CLASE # |
| | | | E46412 PRGY2 | LR43341 4211-01 |

CARACTERISTICAS DE GEOMETRIA Y SIMBOLOS

- PLANICIDAD
- RECTITUD
- ∠ ANGULARIDAD
- ⊥ PERPENDICULARIDAD (A ESCUADRA)
- // PARALELISMO
- REDONDEZ (CIRCULARIDAD)
- ∅ CILINDRICIDAD
- △ PERFIL DE CUALQUIER SUPERFICIE
- ∧ PERFIL DE CUALQUIER LINEA
- ∧ VARIACION
- ⊕ POSICION REAL
- ◎ CONCENTRICIDAD
- = SIMETRIA

ASME Y14.5M 1994

DIMENSIONES SIN TOLERANCIA SON DE REFERENCIA SOLAMENTE

REGAL-BELOIT CORPORATION (RBC) PROVEE ASISTENCIA TECNICA A NUESTROS CLIENTES EN VARIAS AREAS, DESDE QUE RBC NO RECIBE TODOS LOS DATOS EN RELACION AL USO Y A LA APLICACION DEL MOTOR, LA APLICACION ADECUADA DEL MOTOR DEBE SER DETERMINADA POR EL CLIENTE.

DIBUJADO POR: Z.HONG 05-16-2007

APROBADO POR:

TERCER ANGULO DE PROYECCION

FECHA EDS: 02-22-2008

REV. FORMATO: G

CONFIDENCIAL: ESTE DIBUJO Y SU INFORMACION SON PROPIEDAD DE USO EXCLUSIVO Y CONFIDENCIAL DE REGAL-BELOIT CORPORATION. Y NO DEBERAN SER REVELADOS, DUPLICADOS, DISTRIBUIDOS O USARSE DE OTRA MANERA SIN EL CONSENTIMIENTO ESCRITO DE REGAL-BELOIT CORPORATION. -TODOS LOS DERECHOS RESERVADOS.

REGAL-BELOIT CORPORATION

DESCRIPCION: MODEL-RFHP-48FR OUTLINE

TAMAÑO: C NUMERO DE DIBUJO: F48Z23A01

ESCALA: NONE HOJA: 1

4

3

2

1

4

3

2

1

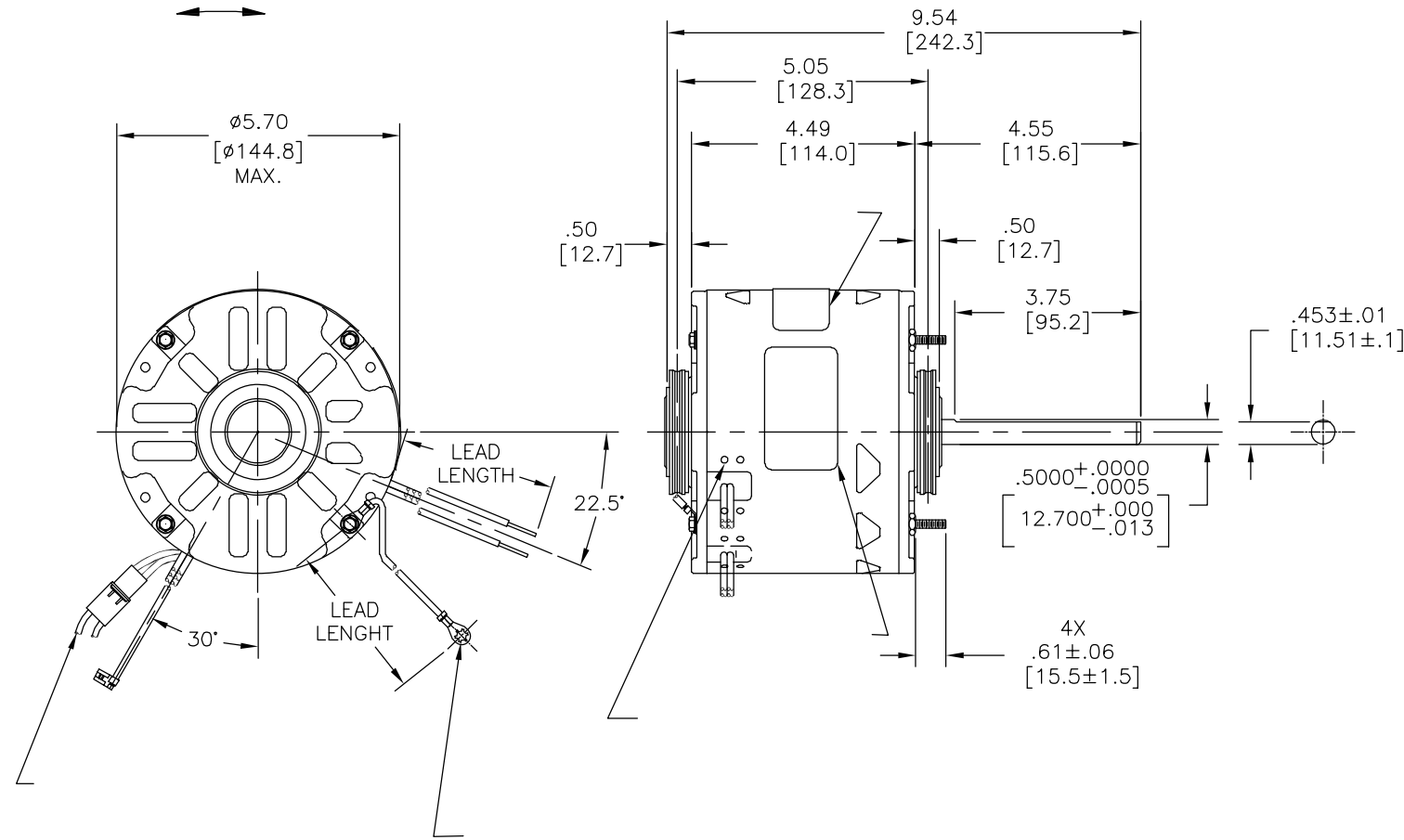
| | | | | | |
|----|---------|-----------|------------|----------|------------|
| 版本 | ECO | 编制 | 日期 | 批准 | 日期 |
| E | 0025525 | E.SINECIO | 04-23-2012 | R.RASCON | 04-23-2012 |

总要求:

轴跳动: .001/1 [.03/25.4] (外伸轴)
 端部窜动量: .010 - .063 [.25 - 1.60]
 轴承: 含油轴承
 安装位置: 水平

电气数据:

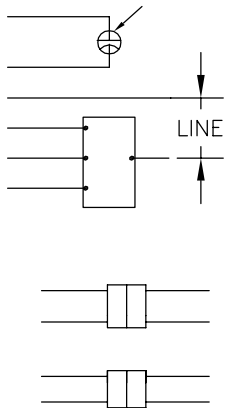
过载保护: 自动复位 (T. I. 7AM 036)
 引线: 18GA, 1厚.06 [.156] PVC 105°C 绝缘
 REVERSING LEADS: NO. 18 GA., .03 [.8] THK. 125°C INSUL.
 接地线: 18GA, 厚.03[0.8] 绿色绝缘
 NO. 18 GA., .03 [.8] THK. (GRN/YEL) INSUL.



铭牌数据

外部连接详图

MODEL NO.: F48Z23A01
 CUST. P/N: 148A
 HP: 1/3, 1/4, 1/6
 ROT.: REVERSIBLE
 RPM: 1075/3 SPD
 TYPE: UF
 FRAME: 48Y
 VOLTS: 115
 PH: 1
 AMPS: 5.3, 3.9, 3.0
 HZ: 60
 INS.: B
 AMB.: 60°C
 DUTY: AIR OVER
 CAP.: 5.0MFD/370V
 ENCL: SEMI-ENCL.
 UL LOGO
 CSA LOGO
 THERMALLY PROTECTED



614131-351

| | | |
|----|------------------------|------------|
| | 11.0/13.0 [279/330] | #10 EYELET |
| | 5.0/7.0 [127/178] | |
| | 5.0/7.0 [127/178] | |
| | 22.0/24.0 [559/610] | |
| | 22.0/24.0 [559/610] | |
| | 22.0/24.0 [559/610] | |
| | 22.0/24.0 [559/610] | |
| | 22.0/24.0 [559/610] | |
| | 22.0/24.0 [559/610] | |
| | 22.0/24.0 [559/610] | |
| | 22.0/24.0 [559/610] | |
| 颜色 | 长度 | 端子或剥线长度 |

| | |
|--------|-----------|
| 非引线端机壳 | SEMI-ENCL |
| 非引线端端盖 | |
| 引线端机壳 | SEMI-ENCL |
| 引线端端盖 | |

| | |
|----|--|
| 用户 | |
|----|--|

| | | | | | | |
|--------|------------------------|----------|--------|-------|---------|---------|
| 性能曲线编号 | 转矩在 --- RPM (25° C) | 批准样品 | UL部件 | | CSA | |
| | | | 文件号 | 指南 | 文件号 | 指南 |
| C32692 | 34.1 OZ. FT. | 0604310A | E46412 | PRGY2 | LR43341 | 4211-01 |

- 形位公差
- 平面度
- 直线度
- ∠ 倾斜度
- ⊥ 垂直度
- // 平行度
- 圆度
- ⊘ 圆柱度
- △ 面轮廓度
- ∩ 线轮廓度
- ∩ 圆跳动
- ⊕ 位置度
- ⊙ 同轴度
- ≡ 对称度

ASME Y14.5M 1994

REGAL-BELOIT CORPORATION (RBC) 在个别领域为客户提供技术支持。鉴于RBC未收到任何涉及电机使用和应用环境的数据, 电机的适用性由客户自己决定。

未注公差尺寸仅供参考。

绘图: Z.HONG 05-16-2007
 批准: .
 第三角投影
 机密: 本图纸及相关信息所有权归REGAL-BELOIT CORPORATION. 未经REGAL-BELOIT CORPORATION书面授权, 不得泄露、复制、传播或作其他用途。—版权所有

名称: REGAL-BELOIT CORPORATION
 MODEL-RFHP-48FR
 OUTLINE
 图幅: C 图号: F48Z23A01
 比例: NONE 页号: 1

4

3

2

1