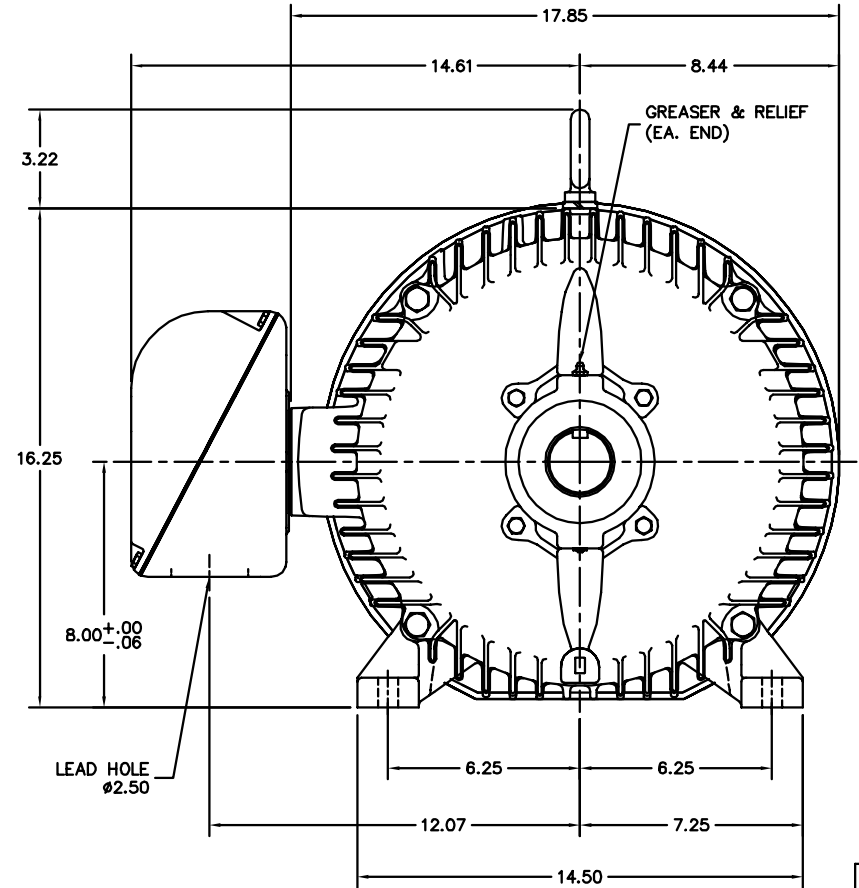
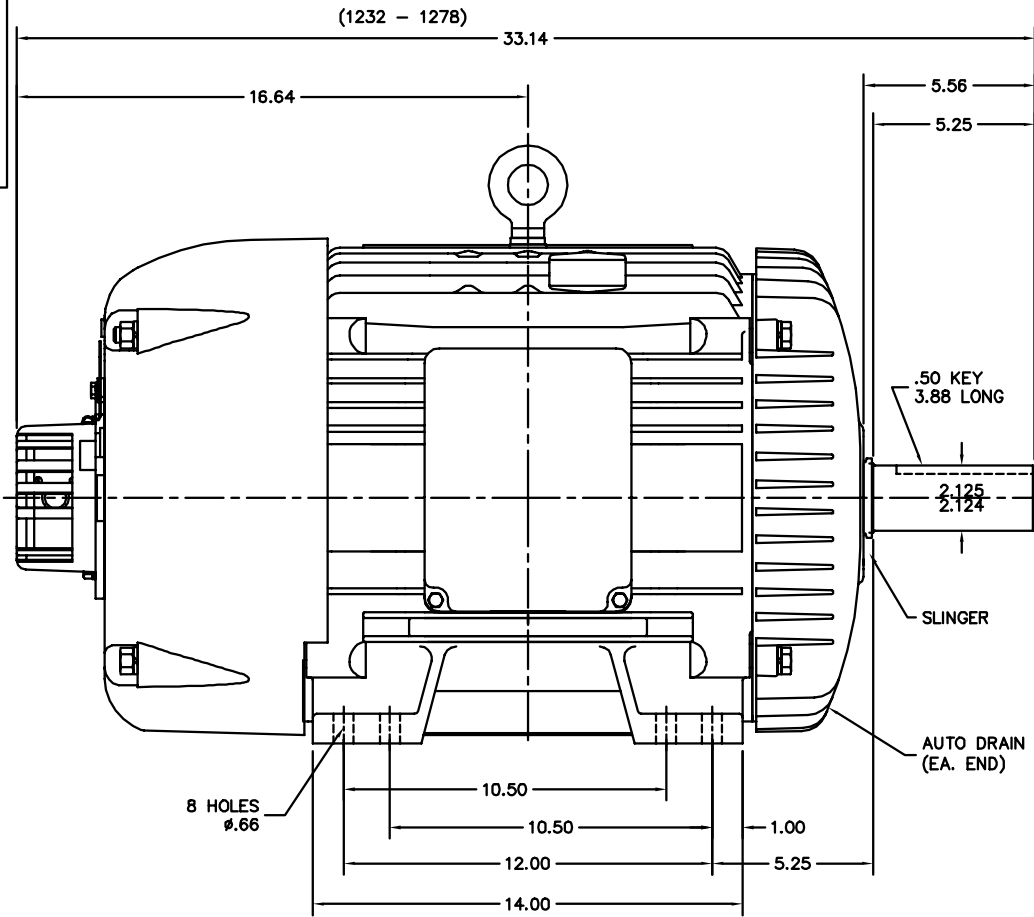


12LYG535



CUSTOMER IS RESPONSIBLE FOR DETERMINING THAT BALDOR'S PRODUCT WILL PERFORM SUITABLY IN THE INTENDED APPLICATION.

REV. DESC: REPLACE HA4001A01 WITH HA4054		
REV. LTR: A	VERSION: 01	TDR: 000000857690
FILE: \AAA\00193\302	REVISED: 09:31:23 06/11/2014	BY: ENBRISO
MTL: -		

**BALDOR**

HORZ TEFC 324-6T VECTOR W/HS35 ENC & CVR

SH 1 of 1

12LYG535