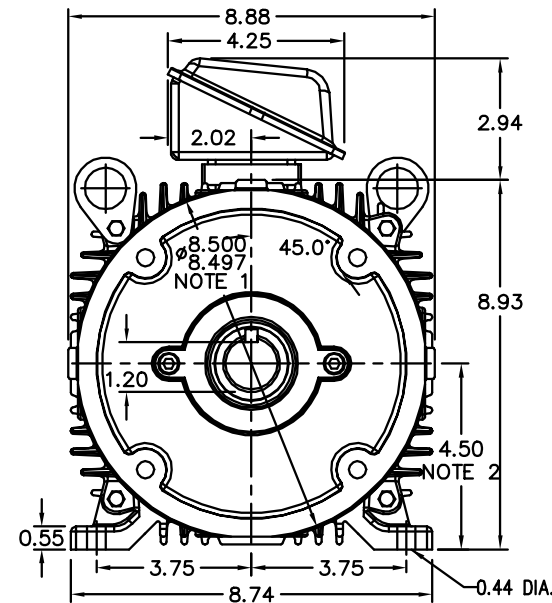
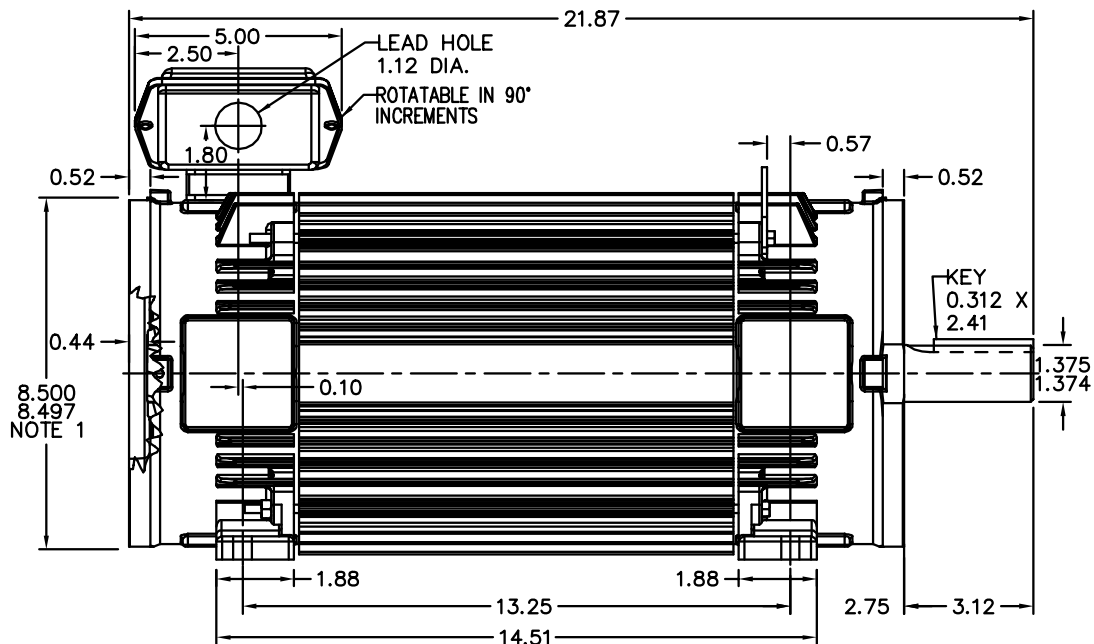


RPM-AC FINNED FRAME VARIABLE SPEED ALTERNATING CURRENT MOTOR FL1852CZ

ENCLOSURE: TOTALLY ENCLOSED
 MOUNTING: FOOT / NEMA 210TC C-FACE
 DRIVE METHOD: COUPLED OR BELTED

COOLING: NON-VENTILATED

ACCESSORIES: PROVISIONS FOR
 TACHOMETER MOUNTING
 ONLY WHEN SPECIFIED



NOTE 1: C-FACE & TACHOMETER MOUNTING
 1/2-13 TAP, 1.00 DEEP, ON A 7.25 DIA. BOLT CIRCLE
 FACE RUNOUT AND ECCENTRICITY 0.004 MAX. T.I.R.

NOTE 2: SHAFT HEIGHT WILL NOT BE EXCEEDED
 SHIMS UP TO 0.03 INCHES IN THICKNESS ARE USUALLY
 REQUIRED FOR COUPLED OR GREARED MACHINES

TERMINAL BOX MAY BE LOCATED F1 OR F2 IF SPECIFIED
 40 AMP STEEL TERMINAL BOX SHOWN
 REFER TO 616779-50 FOR SPECIFIED TERMINAL BOX DIMENSIONS
 REFER TO 616779-55 FOR SPECIFIED TACHOMETER DIMENSIONS

MOTOR WEIGHT: 194 LBS. (MAY VARY 15%)
 DIMENSIONS ARE IN INCHES SCALE: 1.00

CUSTOMER IS RESPONSIBLE FOR DETERMINING THAT BALDOR'S PRODUCT WILL PERFORM SUITABLY IN THE INTENDED APPLICATION.

REV. DESC: LOADED TO BUS		
REV. LTR: -	VERSION: 00	TDR: 000000481267
FILE: \RGG\00003\410	REVISED: 11:13:35 11/14/2008	BY: CONBAT
MTL: -		

BALDOR • DODGE • RELIANCE

DIM SH 210TC RPMAC TENV FL1852CZ FT MT PROV FOR TACH
 SH 1 of 1