

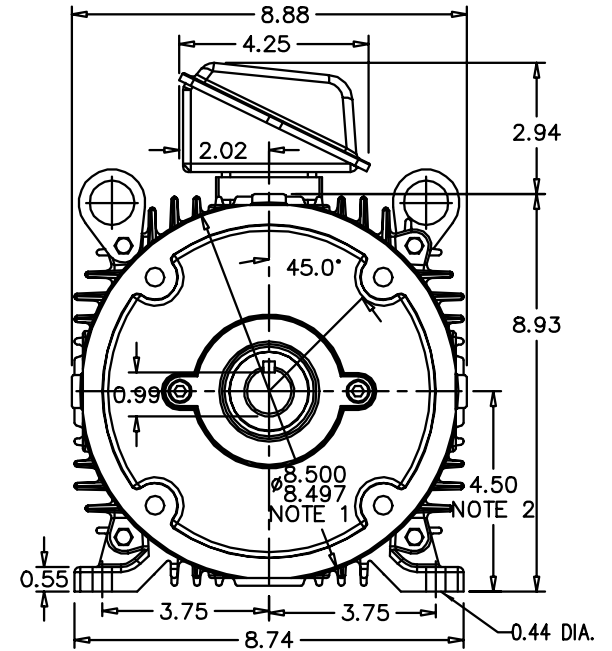
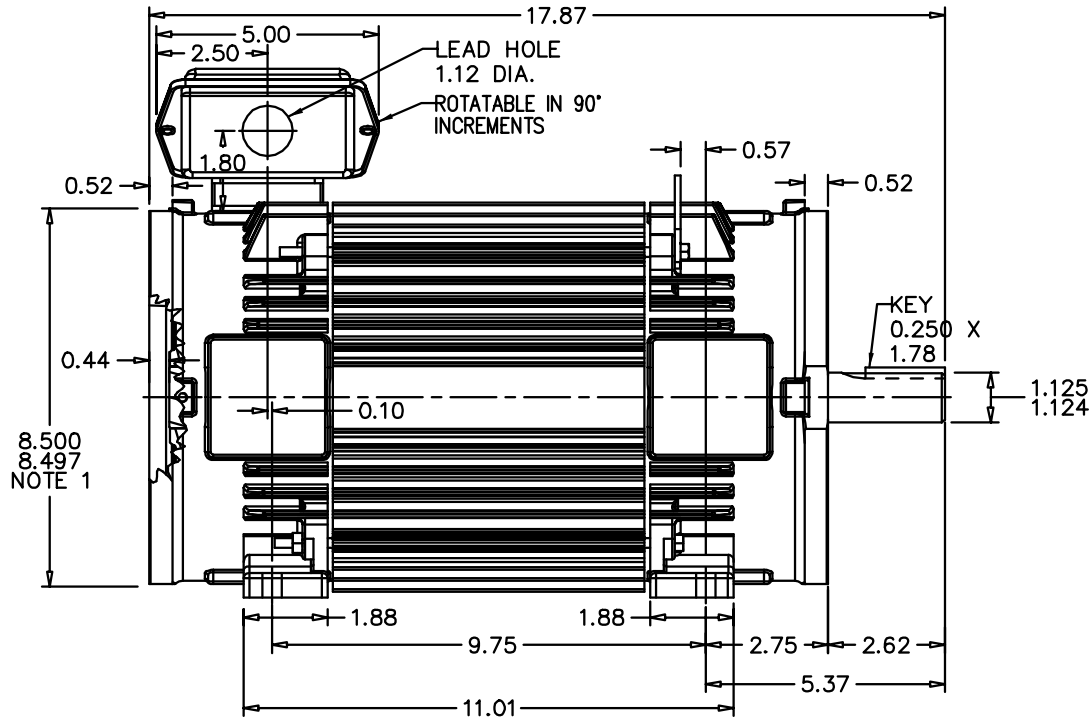
617228-003

RPM-AC FINNED FRAME VARIABLE SPEED ALTERNATING CURRENT MOTOR FL1838C

ENCLOSURE: TOTALLY ENCLOSED
 MOUNTING: FOOT / NEMA 180TC C-FACE
 DRIVE METHOD: COUPLED OR BELTED

COOLING: NON-VENTILATED

ACCESSORIES: PROVISIONS FOR
 TACHOMETER MOUNTING
 ONLY WHEN SPECIFIED



NOTE 1: C-FACE & TACHOMETER MOUNTING
 1/2-13 TAP, 1.00 DEEP, ON A 7.25 DIA. BOLT CIRCLE
 FACE RUNOUT AND ECCENTRICITY 0.004 MAX. T.I.R.

NOTE 2: SHAFT HEIGHT WILL NOT BE EXCEEDED
 SHIMS UP TO 0.03 INCHES IN THICKNESS ARE USUALLY
 REQUIRED FOR COUPLED OR GEARED MACHINES

TERMINAL BOX MAY BE LOCATED F1 OR F2 IF SPECIFIED
 40 AMP STEEL TERMINAL BOX SHOWN
 REFER TO 616779-50 FOR SPECIFIED TERMINAL BOX DIMENSIONS
 REFER TO 616779-55 FOR SPECIFIED TACHOMETER DIMENSIONS

MOTOR WEIGHT: 143 LBS. (MAY VARY 15%)
 DIMENSIONS ARE IN INCHES SCALE: 1.00

CUSTOMER IS RESPONSIBLE FOR DETERMINING THAT BALDOR'S PRODUCT WILL PERFORM SUITABLY IN THE INTENDED APPLICATION.

REV. DESC: ADD DIMENSION FROM FOOT HOLE TO END OD SHAFT			BALDOR	
REV. LTR: A	VERSION: 01	TDR: 00000892384	DIM SHT RPM AC TE NON VENT FL1838C FT / 180TC MTG PROV TACH SH 1 of 1	
FILE: \RGG\00003\495	REVISED: 12:55:38 02/12/2015	BY: RGGWT		
MTL: -				

617228-003