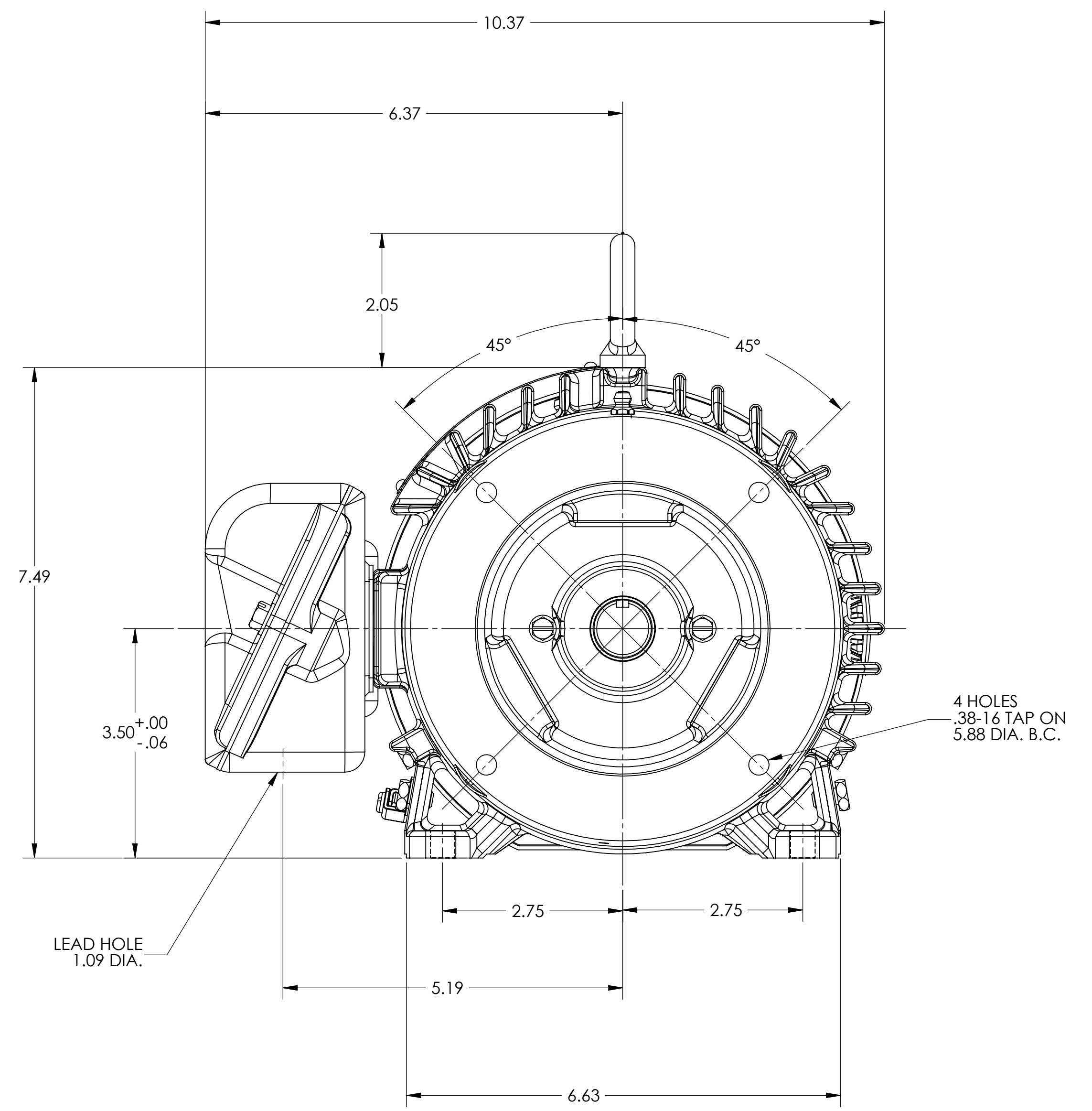
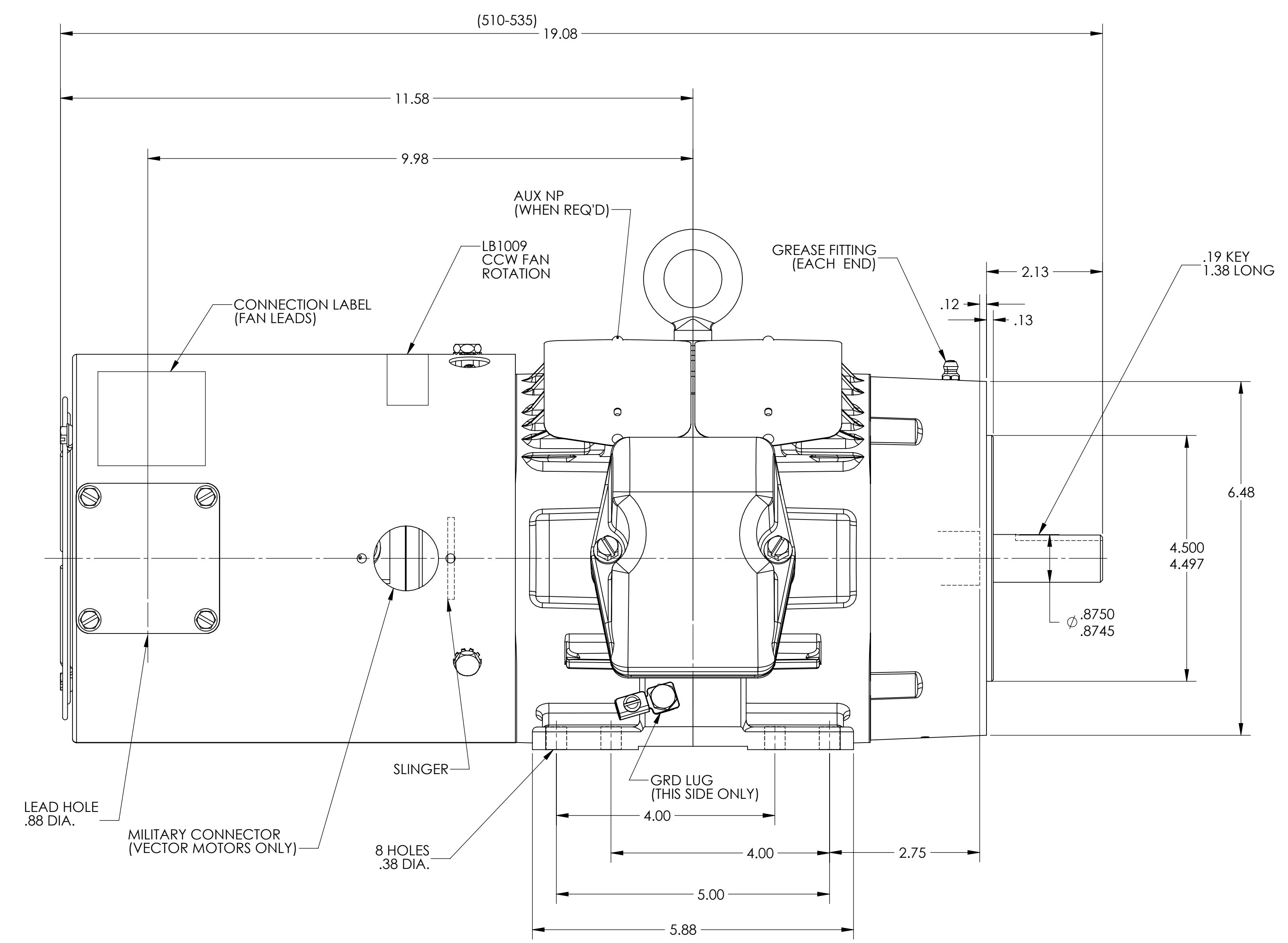


05LYE535



REV. DESC: 05SF1100A11 WAS A01, PAM PART CONSOLIDATION.			
REV: C	VERSION: 02	REVISED: 01.22.27 05/07/2019	TDR: 000001107505
MODEL NO. 05LYE535		REF:	
BY: ENBILT0			

BALDOR ELECTRIC Co.
 STD HORZ 143-5TC TEBC 05M STD "BA" INV/VEC (THRU-SHAFT ENC)

05LYE535