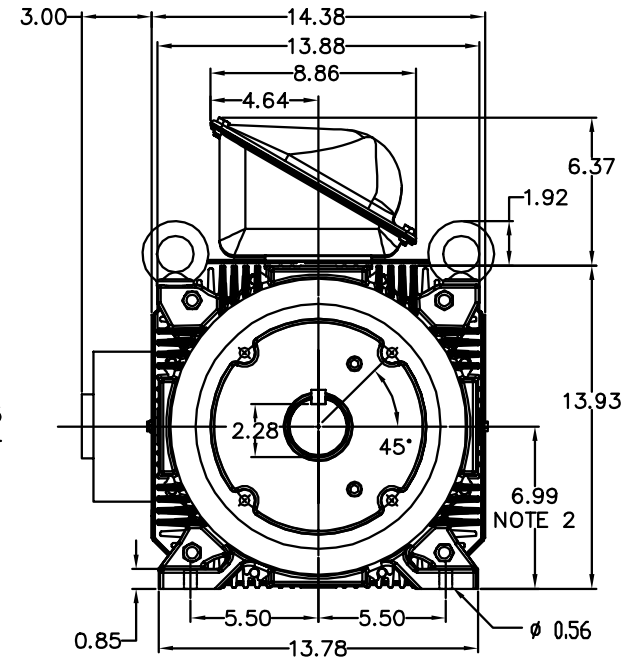
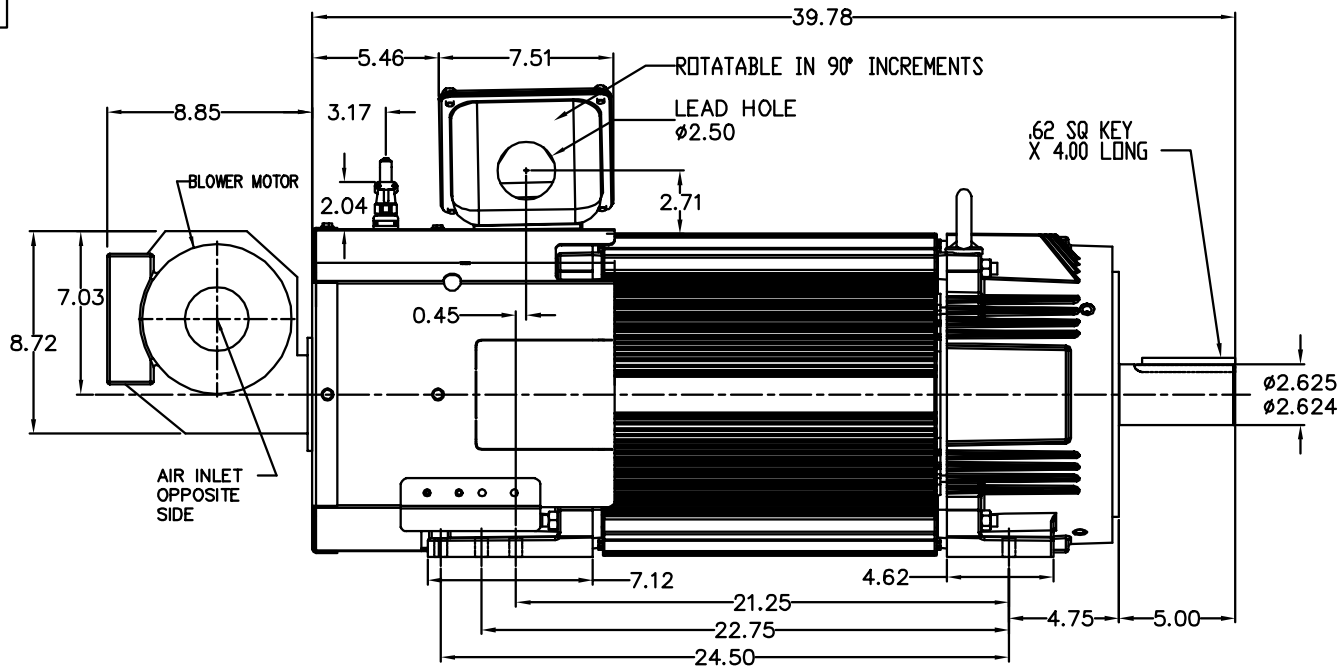


RPM-AC FINNED FRAME VARIABLE SPEED ALTERNATING CURRENT MOTOR UFL & FL2898Z

ENCLOSURE: TOTALLY ENCLOSED
MOUNTING: FOOT
DRIVE METHOD: COUPLED OR BELTED

COOLING: BLOWER COOLED

ACCESSORIES: FLANGE MOUNTED ENCODER



NOTE 1: O.D.E. C-FACE & TACHOMETER MOUNTING
1/2-13 TAP, 1.00 DEEP, ON A Ø 7.25 B.C.
FACE RUNDOUT AND ECCENTRICITY 0.004 MAX. T.I.R.

TERMINAL BOX MAY BE LOCATED F1 OR F2 IF SPECIFIED
160 AMP STEEL TERMINAL BOX SHOWN

NOTE 2: SHAFT HEIGHT WILL NOT BE EXCEEDED
SHIMS UP TO 0.03 INCHES IN THICKNESS ARE USUALLY
REQUIRED FOR COUPLED OR GEARED MACHINES

DIMENSIONS ARE IN INCHES
MOTOR WEIGHT: 890 LBS. (MAY VARY 15%)

CUSTOMER IS RESPONSIBLE FOR DETERMINING THAT THIS PRODUCT WILL PERFORM SUITABLY IN THE INTENDED APPLICATION.

REV. DESC: CHANGE FAN COVER FROM 708535-10B TO -10C		
REV. LTR: B	VERSION: 02	TDR: 00001083672
FILE: \RGG\00016\948	REVISED: 12:53:03 09/13/2018	BY: RGGWT
MTL: -		

BALDOR - RELIANCE®	
D/S,FL2898CZ,TEAO-BC,TACH W/ MS CONN,STD.SHAFT EXT,RMM BLWR	
SH 1 of 1	