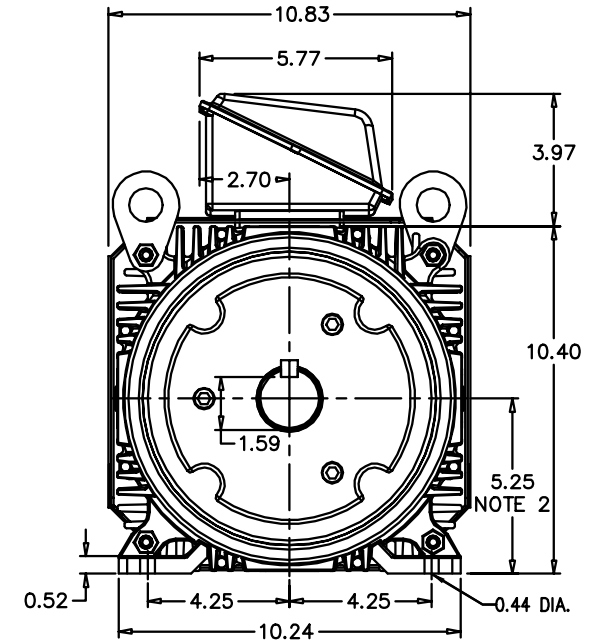
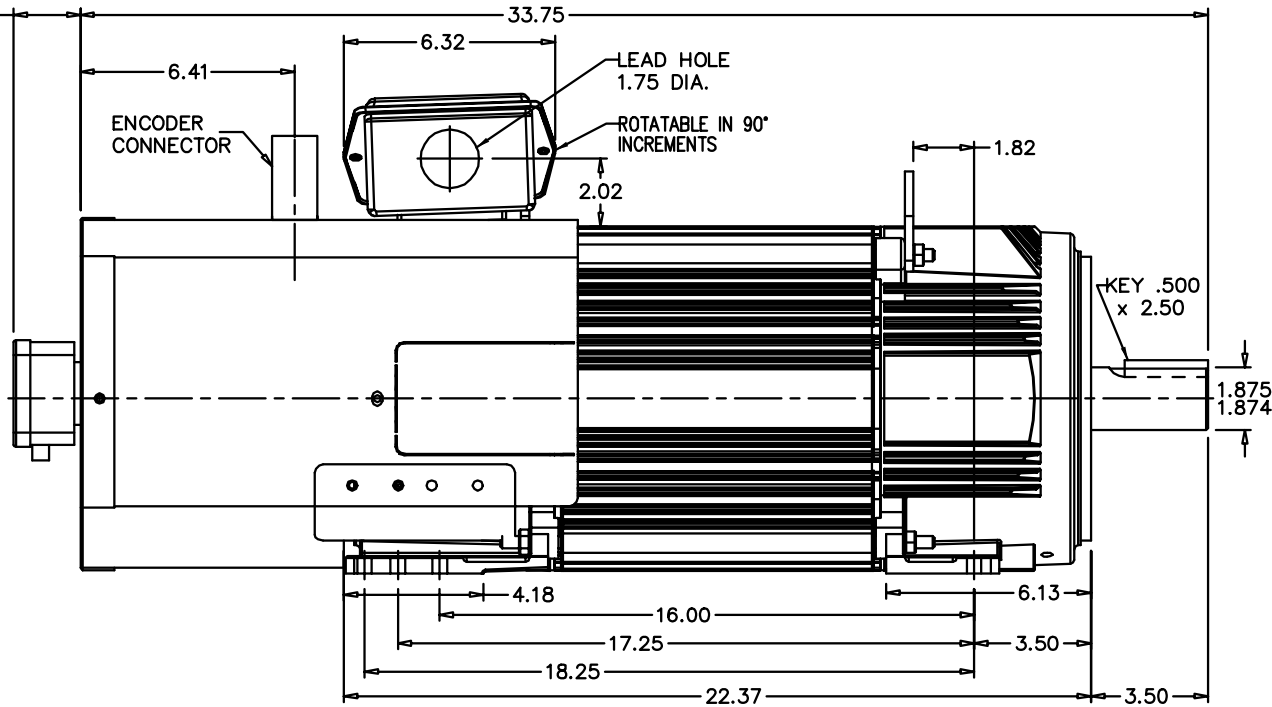


RPM-AC FINNED FRAME VARIABLE SPEED ALTERNATING CURRENT MOTOR FL2173Z

ENCLOSURE: TOTALLY ENCLOSED
MOUNTING: FOOT
DRIVE METHOD: COUPLED OR BELTED

COOLING: BLOWER COOLED
ACCESSORIES: ENCODER

2.06
MIN.
AIR
SPACE



NOTE 1: C-FACE & TACHOMETER MOUNTING
1/2-13 TAP, 1.00 DEEP, ON A 7.25 DIA. BOLT CIRCLE
FACE RUNOUT AND ECCENTRICITY 0.004 MAX. T.I.R.

NOTE 2: SHAFT HEIGHT WILL NOT BE EXCEEDED
SHIMS UP TO 0.03 INCHES IN THICKNESS ARE USUALLY
REQUIRED FOR COUPLED OR GREARED MACHINES

TERMINAL BOX MAY BE LOCATED F1 OR F2 IF SPECIFIED
61 AMP STEEL TERMINAL BOX SHOWN
REFER TO 616779-50 FOR SPECIFIED TERMINAL BOX DIMENSIONS

MOTOR WEIGHT: 355 LBS. (MAY VARY 15%)
DIMENSIONS ARE IN INCHES SCALE: 1.00

CUSTOMER IS RESPONSIBLE FOR DETERMINING THAT THIS PRODUCT WILL PERFORM SUITABLY IN THE INTENDED APPLICATION.

REV. DESC: CHANGE TO GENERIC CONNECTOR AND ENCODER		
REV. LTR: B	VERSION: 02	TDR: 00000984829
FILE: \RGG\00025\787	REVISED: 11:52:22 06/27/2016	BY: RGGWT
MTL: -		

BALDOR

DIM SHT,RPMAC,TEBC,FL2173Z,ENCODER

SH 1 of 1