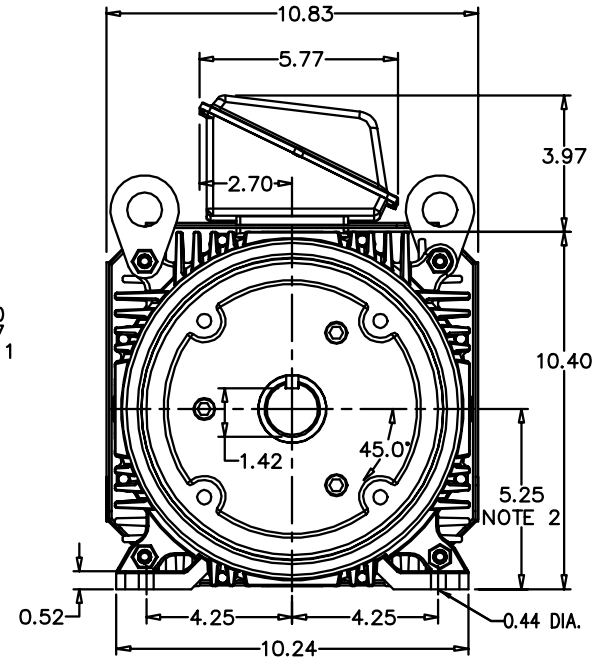
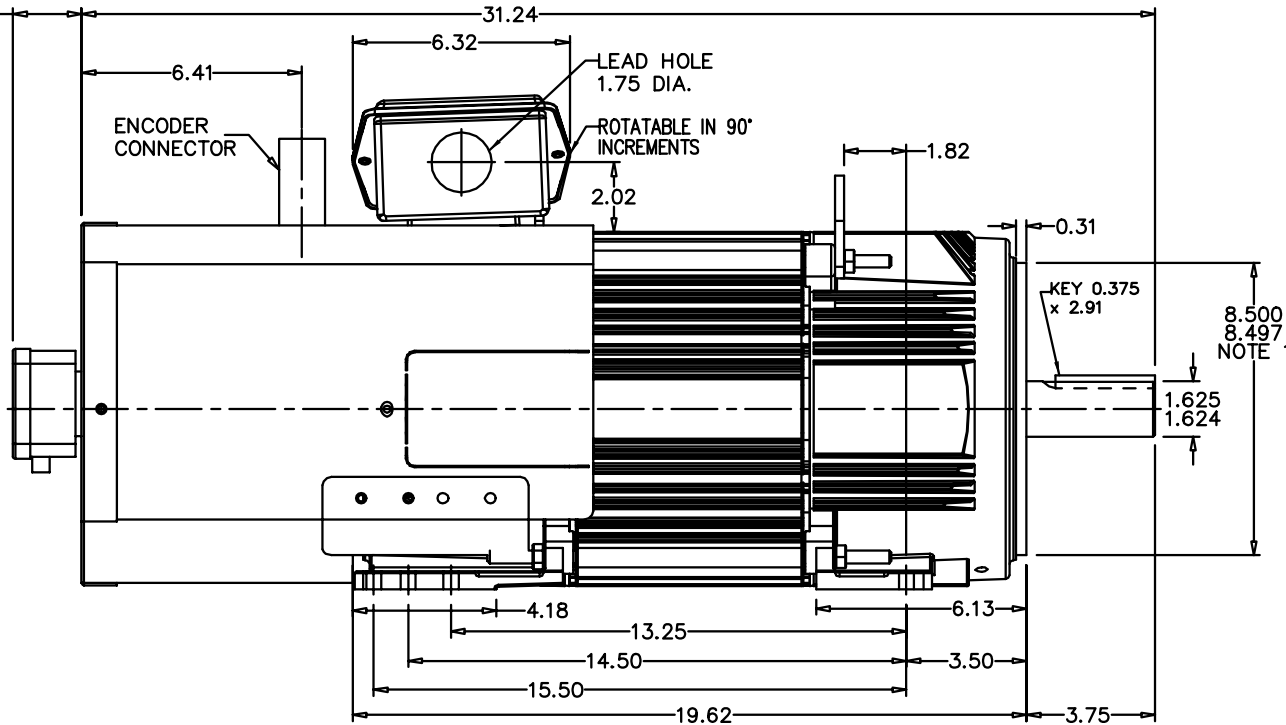


# RPM-AC FINNED FRAME VARIABLE SPEED ALTERNATING CURRENT MOTOR FL2162CZ

ENCLOSURE: TOTALLY ENCLOSED  
 MOUNTING: FOOT / NEMA 250TC C-FACE  
 DRIVE METHOD: COUPLED OR BELTED

COOLING: BLOWER COOLED  
 ACCESSORIES: ENCODER

2.06  
MIN.  
AIR  
SPACE



NOTE 1: C-FACE & TACHOMETER MOUNTING  
 1/2-13 TAP, 1.00 DEEP, ON A 7.25 DIA. BOLT CIRCLE  
 FACE RUNOUT AND ECCENTRICITY 0.004 MAX. T.I.R.

NOTE 2: SHAFT HEIGHT WILL NOT BE EXCEEDED  
 SHIMS UP TO 0.03 INCHES IN THICKNESS ARE USUALLY  
 REQUIRED FOR COUPLED OR GEARED MACHINES

TERMINAL BOX MAY BE LOCATED F1 OR F2 IF SPECIFIED  
 61 AMP STEEL TERMINAL BOX SHOWN  
 REFER TO 616779-50 FOR SPECIFIED TERMINAL BOX DIMENSIONS

MOTOR WEIGHT: 290 LBS. (MAY VARY 15%)  
 DIMENSIONS ARE IN INCHES SCALE: 1.00

CUSTOMER IS RESPONSIBLE FOR DETERMINING THAT THIS PRODUCT WILL PERFORM SUITABLY IN THE INTENDED APPLICATION.

|  |                              |                  |
|--|------------------------------|------------------|
| REV. DESC: CHANGE TO GENERIC CONNECTOR AND ENCODER |                              |                  |
| REV. LTR: B  | VERSION: 02                  | TDR: 00000984829 |
| FILE: \RGG\00025\786                               | REVISED: 10:23:09 06/27/2016 | BY: RGGWT        |
| MTL: -   |                              |                  |

**BALDOR**

DIM SHT,RPMAC,TEBC,FL2162CZ,ENCODER

SH 1 of 1