

# RPM-AC FINNED FRAME VARIABLE SPEED ALTERNATING CURRENT MOTOR NEMA HL364T

COOLING: FAN COOLED

ENCLOSURE: TOTALLY ENCLOSED

MOUNTING: FOOT

DRIVE METHOD: DIRECT

619707-001

D

D

C

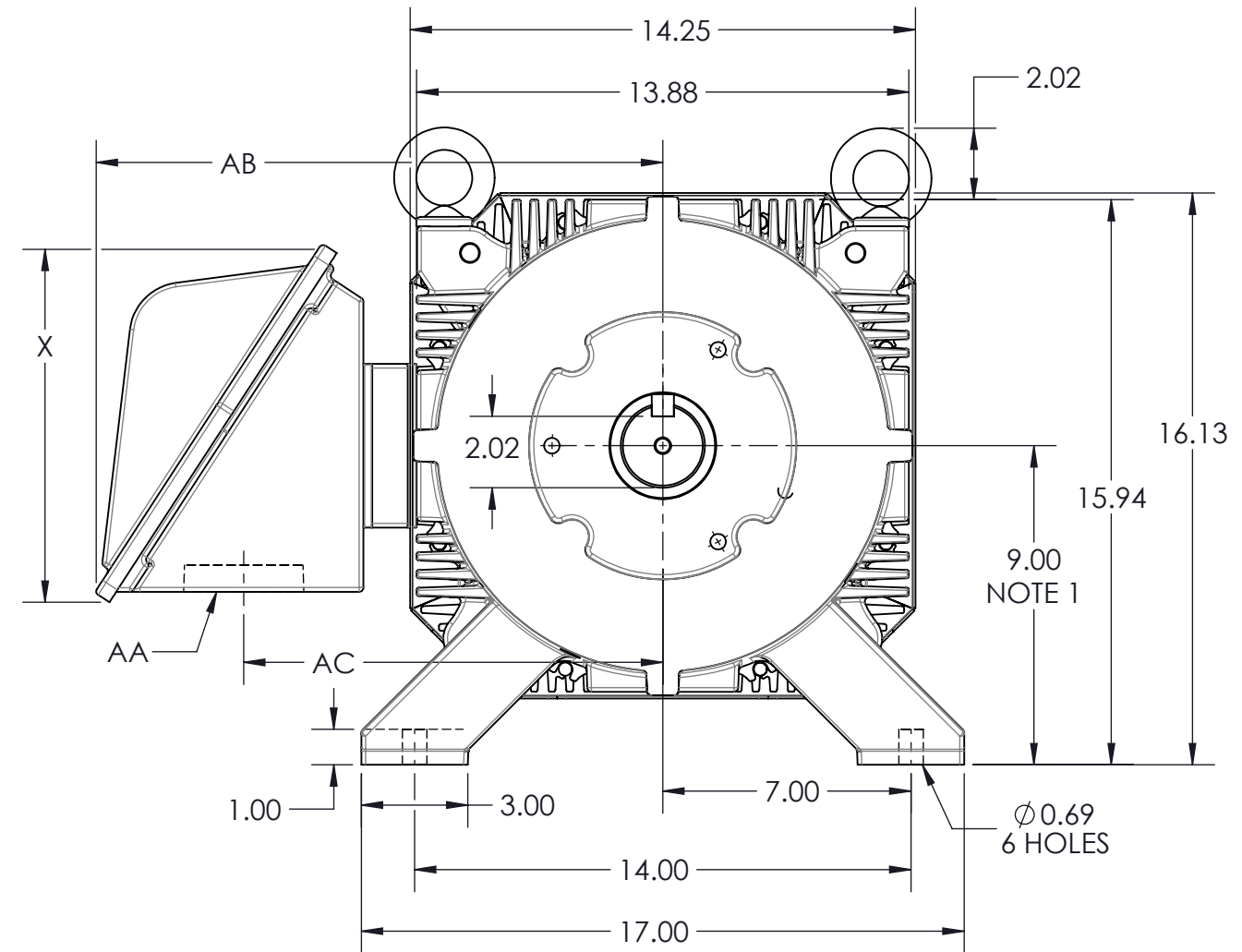
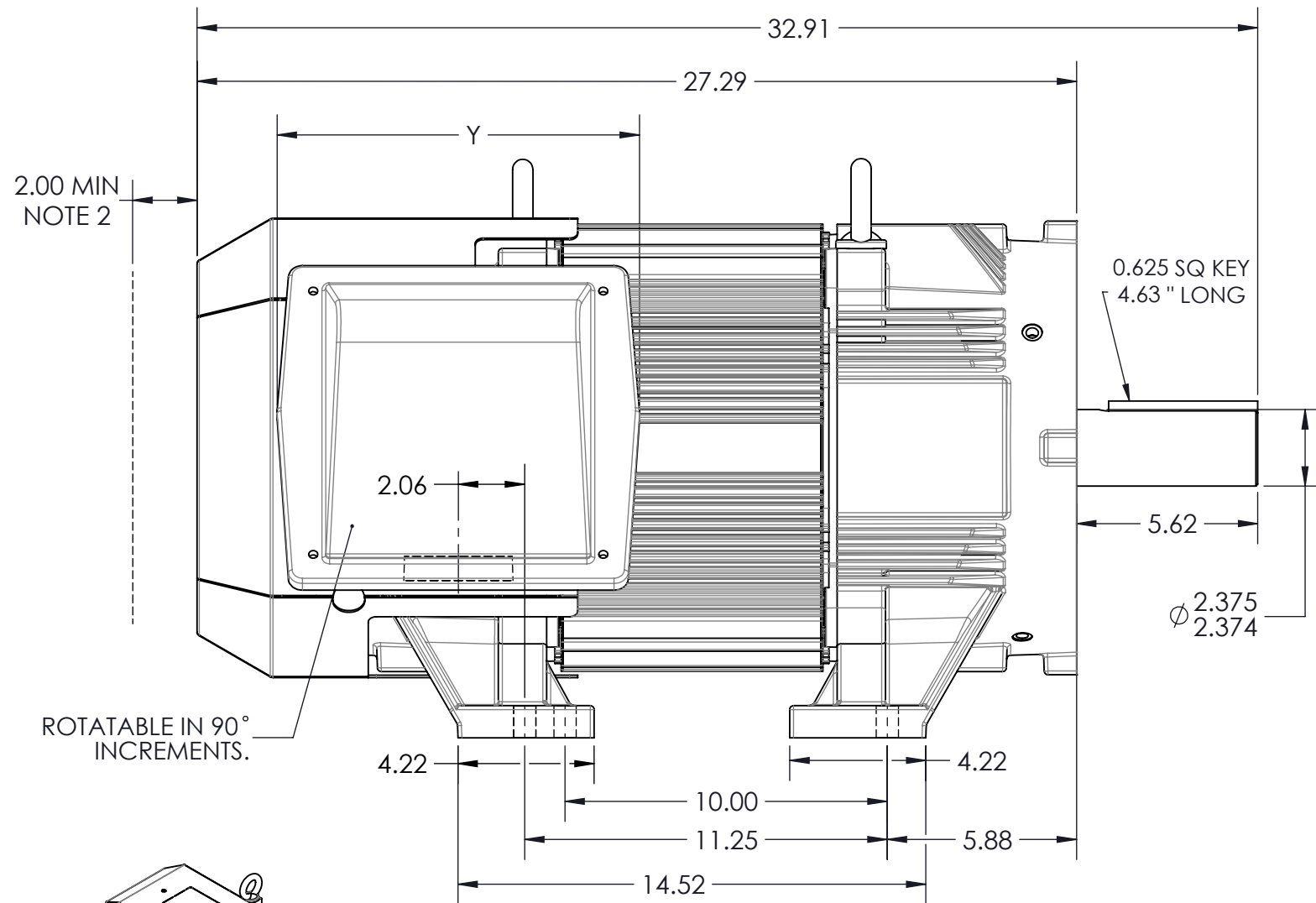
C

B

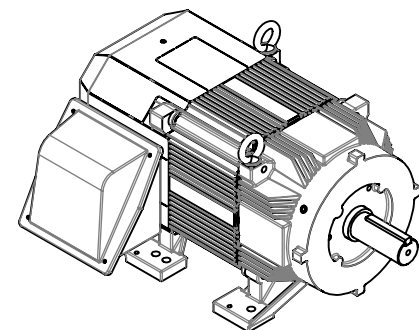
B

A

A



ROTATABLE IN 90° INCREMENTS.



DIMENSIONS ARE IN INCHES  
MOTOR WEIGHT: 690 LBS. (MAY VARY 15% FOR NON-STANDARD RATINGS AND / OR ACCESSORIES.)

NOTES:

- SHAFT HEIGHT WILL NOT BE EXCEEDED. SHIMS UP TO 0.06 INCHES IN THICKNESS ARE USUALLY REQUIRED FOR COUPLED OR GEARED MACHINES.
- WALLS OR OBSTRUCTIONS MUST NOT ENCROACH ON AIR INLET SPACE.

TERMINAL BOX MAY BE LOCATED F1, F2, OR F3 IF SPECIFIED.  
TERMINAL BOX MAY BE LOCATED DRIVE END OR OPPOSITE DRIVE END IF SPECIFIED.  
REFER TO DATA TRANSMITTAL OR PARTS LIST FOR TERMINAL BOX PART NUMBER

TERMINAL BOX	X	Y	AA	AB	AC	MAX AMPS	REMARKS
706320-016A	10.56	9.00	4	16.20	12.06	305	STEEL
702658-001C	12.10	14.62	5	18.94	13.82	500	STEEL
706310-063B	15.37	14.78	--	18.65	14.29	400	MILL BOX
706310-063B	15.37	14.78	--	18.40	14.04	400	MILL BOX WITH TERMINAL STRIP
706320-013A	10.00	10.50	4.0 TAP	16.06	11.82	210	CAST IRON (AS SHOWN)
706320-014D	12.75	15.00	5	19.06	13.82	510	CAST IRON

CUSTOMER IS RESPONSIBLE FOR DETERMINING THAT BALDOR'S PRODUCT WILL PERFORM SUITABLY IN THE INTENDED APPLICATION

REV. DESC: UPDATE FAN CVR,C/BOX & TABLE,NAME TO HL			
REV: C	VERSION: 03	REVISED: 08:45:21 06/06/2016	TDR: 000000979577
MODEL NO. 619707-001		REF: -	
BY: USMAWOO		B	

**BALDOR**

DIM SHEET,NEMA HL364T,RPM-AC FL2873,TEFC

619707-001

8

7

6

5

4

3

2

1