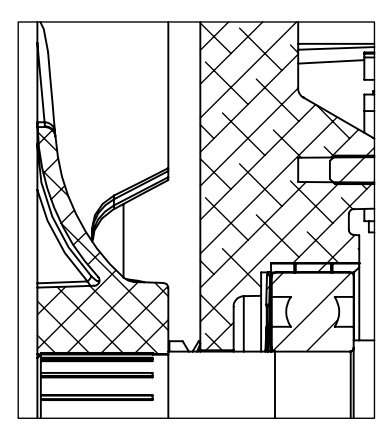
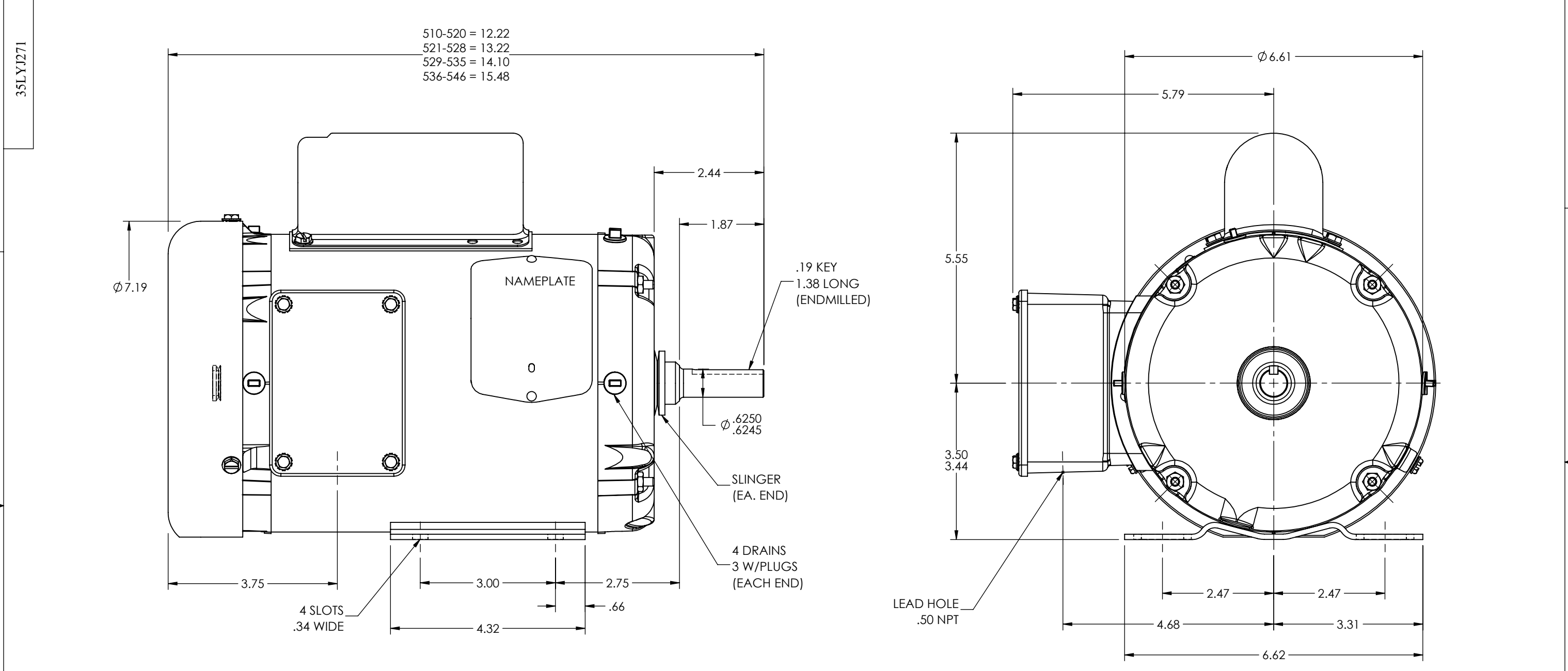
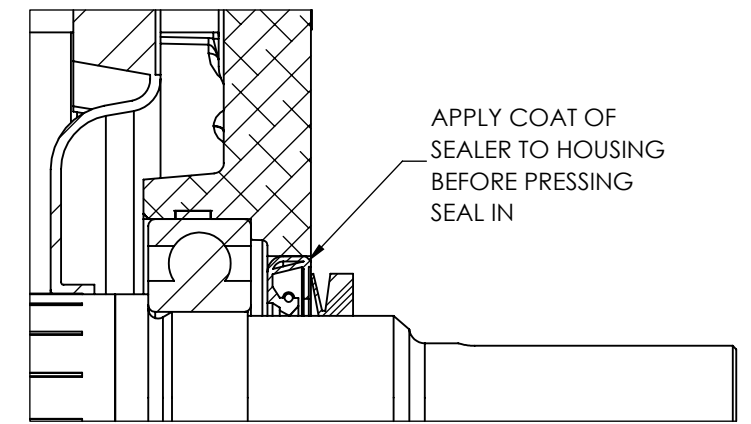


8 7 6 5 4 3 2 1



FRONT END DETAIL



PULLEY END DETAIL

CUSTOMER IS RESPONSIBLE FOR DETERMINING THAT THE PRODUCT WILL PERFORM SUITABLY IN THE INTENDED APPLICATION

REV. DESC: LOADING OF SWD DWG FOR 2D TO 3D CONVERSION - PKG16			
REV: K	VERSION: 04	REVISED: 02:34:52 02/04/2019	TDR: 000001098202
MODEL NO. 35LYJ271		REF: -	
BY: ENSTEK0			<b>B</b>

**BALDOR - RELIANCE®**

HORZ 56 TEFC L WD (S/P 9-1)  
SH 1 of 1

A

A

D

D

C

C

B

B

8 7 6 5 4 3 2 1

35LYJ271