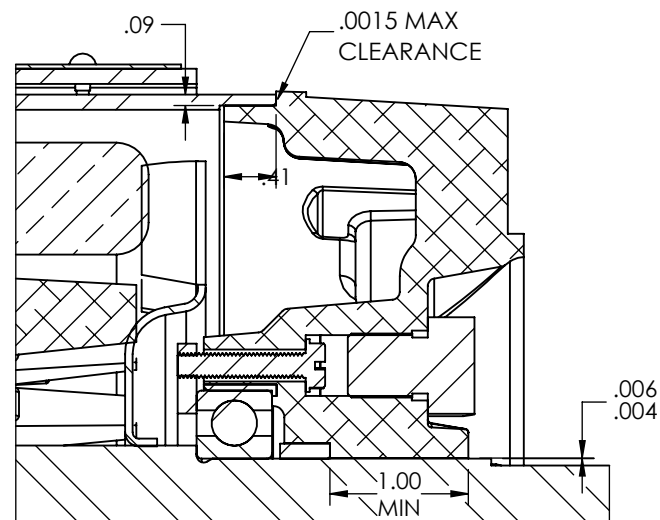
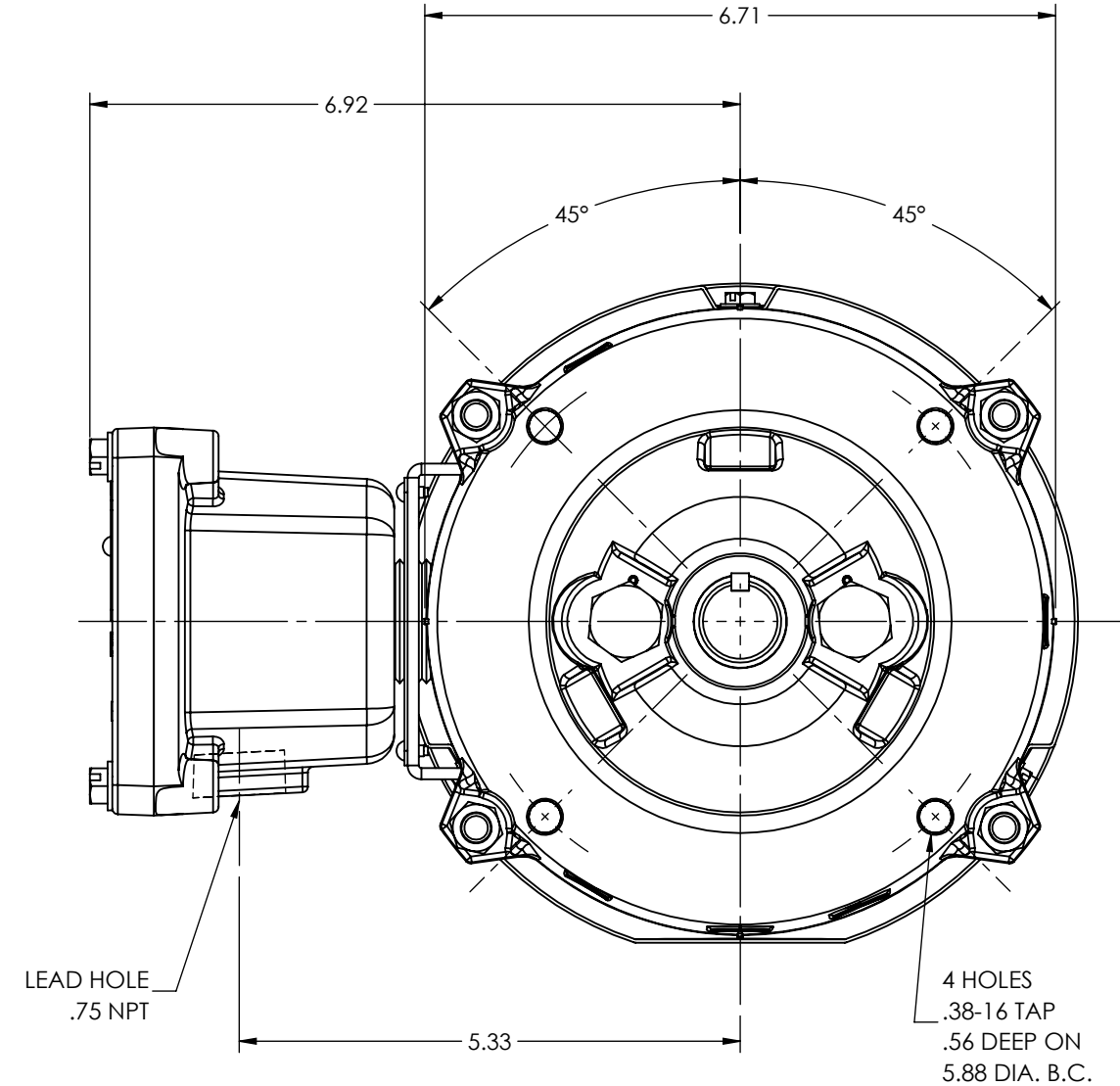
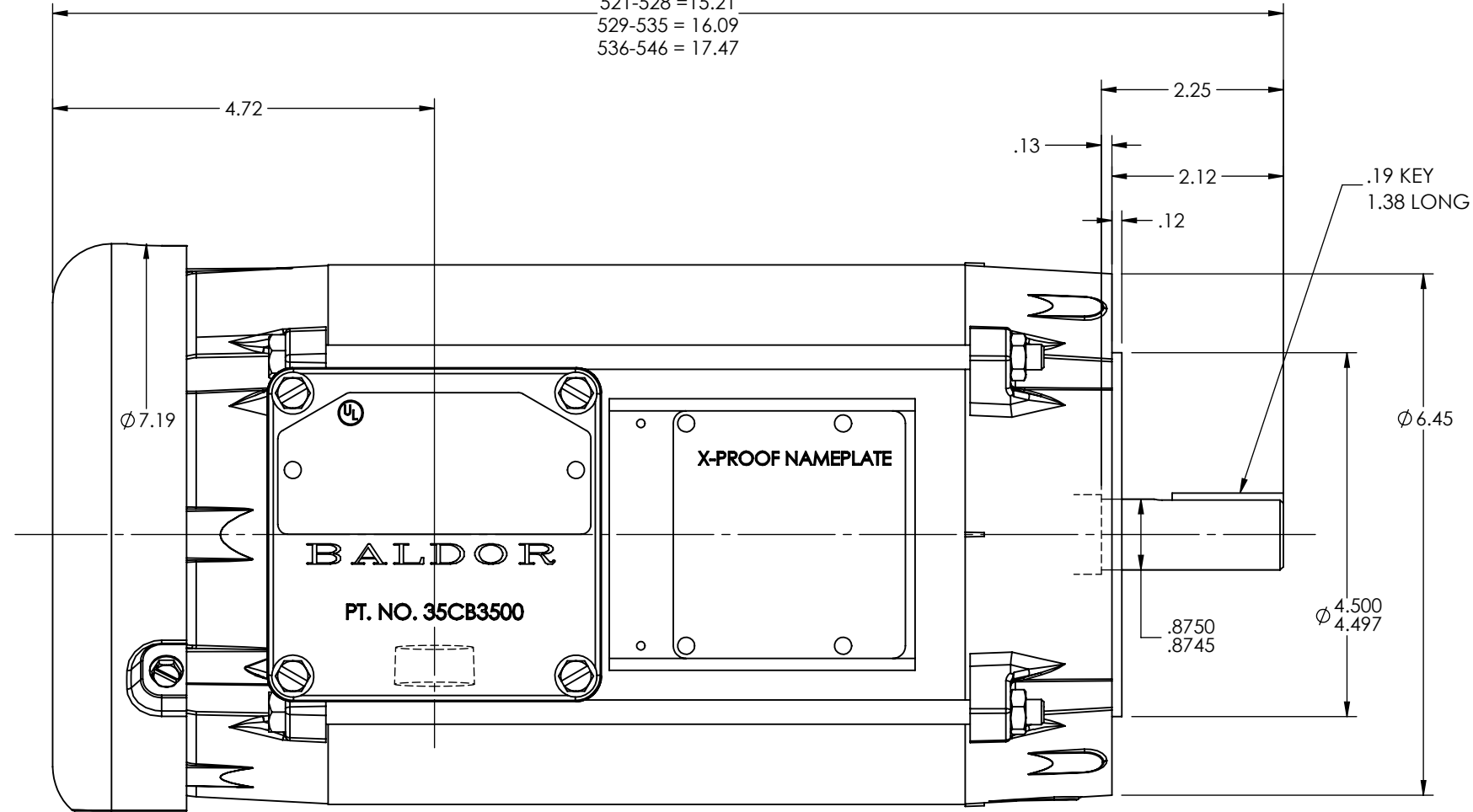


35LYE380

510-520 = 14.33
521-528 = 15.21
529-535 = 16.09
536-546 = 17.47



DRIVE END DETAIL

CUSTOMER IS RESPONSIBLE FOR DETERMINING THAT THE PRODUCT WILL PERFORM SUITABLY IN THE INTENDED APPLICATION

REV. DESC: CONVERT AUTOCAD DRW TO SWD DRW			
REV: M	VERSION: 04	REVISED: 01:18:59 04/20/2023	TDR: 000001207032
MODEL NO. 35LYE380			REF: -
BY: ENALEM0			B

BALDOR - RELIANCE®

STD VERT 143-5TC XPFC X35M CLI GP D, CLII GP F&G

35LYE380