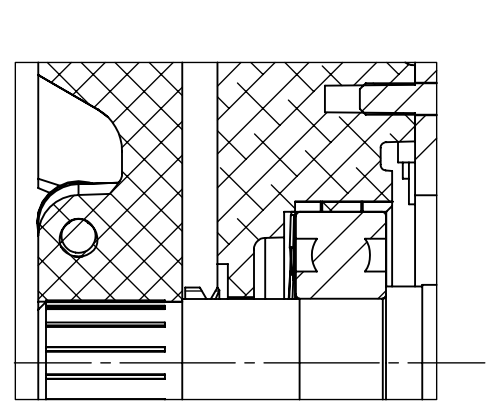
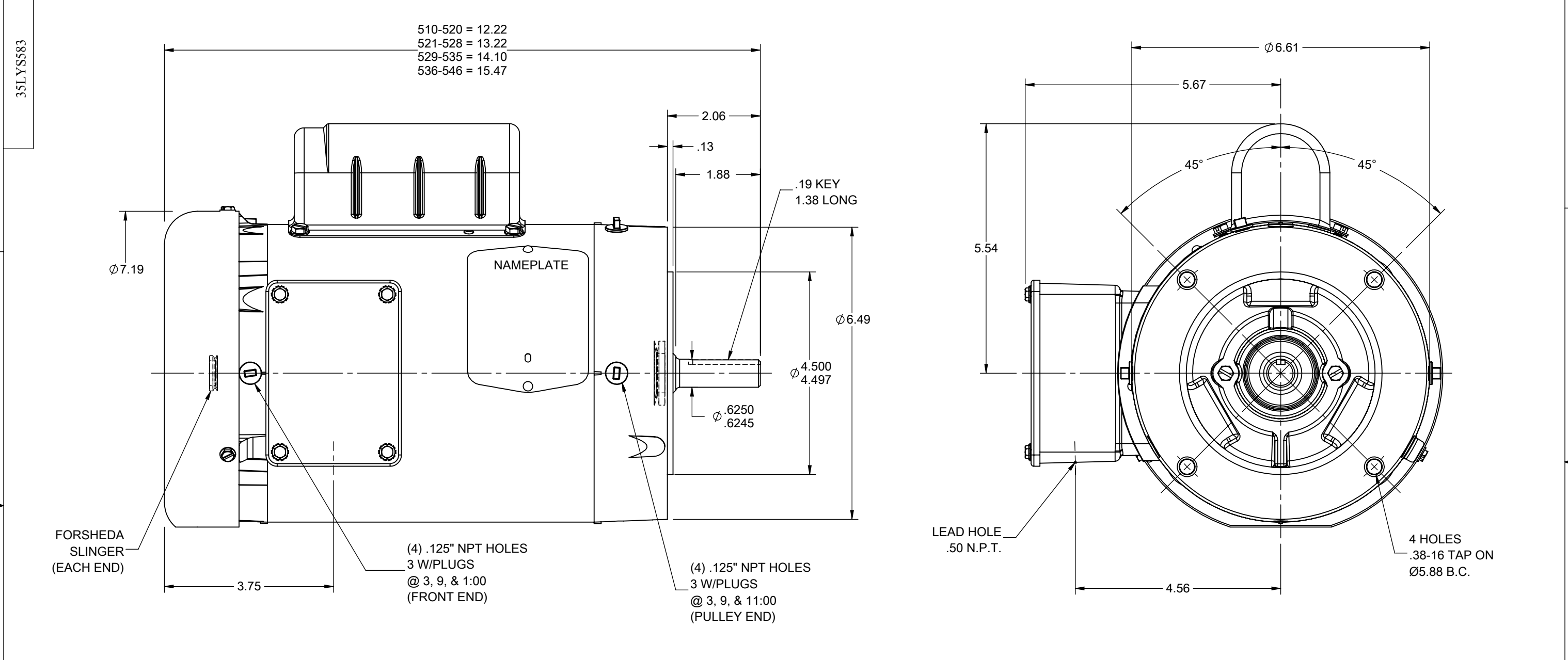
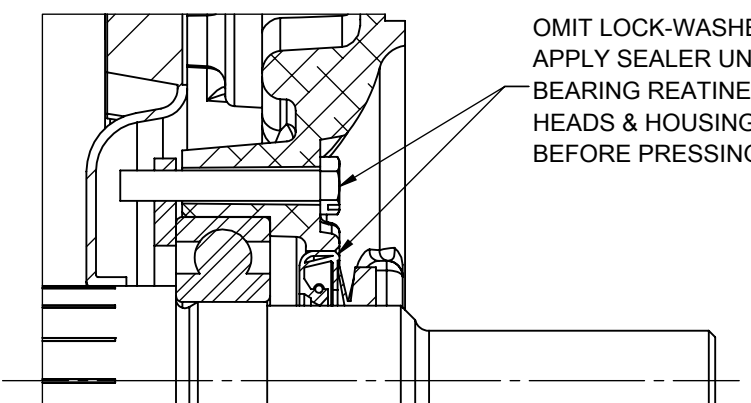


8 7 6 5 4 3 2 1



FRONT END DETAIL



PULLEY END DETAIL

OMIT LOCK-WASHERS &
 APPLY SEALER UNDER
 BEARING RETAINER SCREW
 HEADS & HOUSING O.D.
 BEFORE PRESSING IN SEAL

CUSTOMER IS RESPONSIBLE FOR DETERMINING THAT THE PRODUCT WILL PERFORM SUITABLY IN THE INTENDED APPLICATION

REV. DESC: FLIP PU SEAL			
REV: G	VERSION: 07	REVISED: 08:04:16 03/12/2019	TDR: 000001102328
MODEL NO. 35LYS583			REF: -
BY: ENWINB0			B

BALDOR - RELIANCE®

STD VERT 56C TEFC 35L WD (S/P #9)
 SH 1 of 1

A

35LYS583

8 7 6 5 4 3 2 1