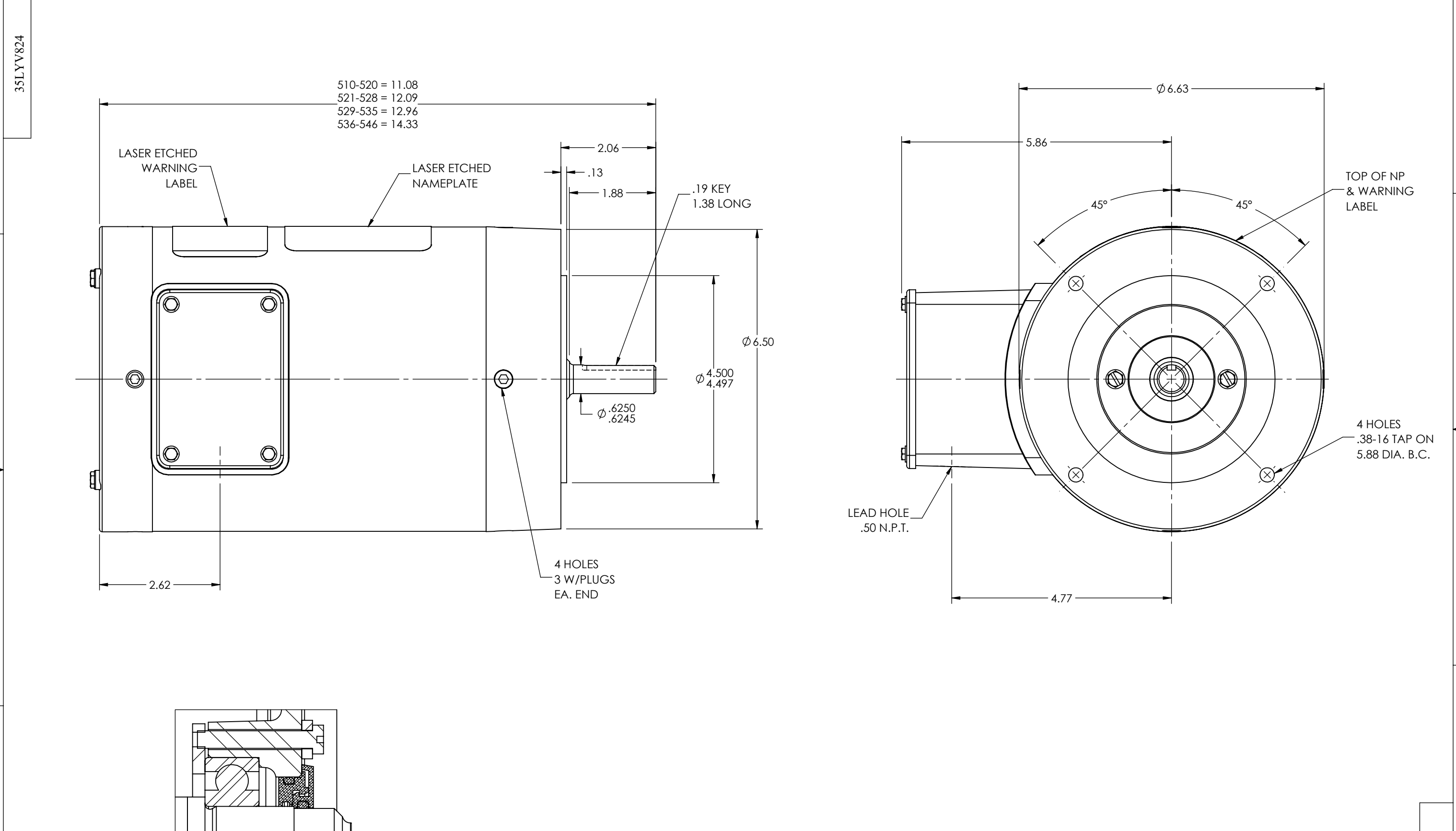


8 7 6 5 4 3 2 1



CUSTOMER IS RESPONSIBLE FOR DETERMINING THAT THE PRODUCT WILL PERFORM SUITABLY IN THE INTENDED APPLICATION

REV. DESC: LOADING OF SWD DWG FOR 2D TO 3D CONVERSION - PKG11			
REV: B	VERSION: 02	REVISED: 03:18:02 11/30/2018	TDR: 000001092572
MODEL NO. 35LYV824		REF: -	
BY: ENSTEK0		B	

BALDOR - RELIANCE®

VERT 56C TENV 35M WD4 W/LOCKED PU BRG & LASER ETCHED BAND
SH 1 of 1

8 7 6 5 4 3 2 1

35LYV824