

DUTY MASTER ALTERNATING CURRENT MOTORS

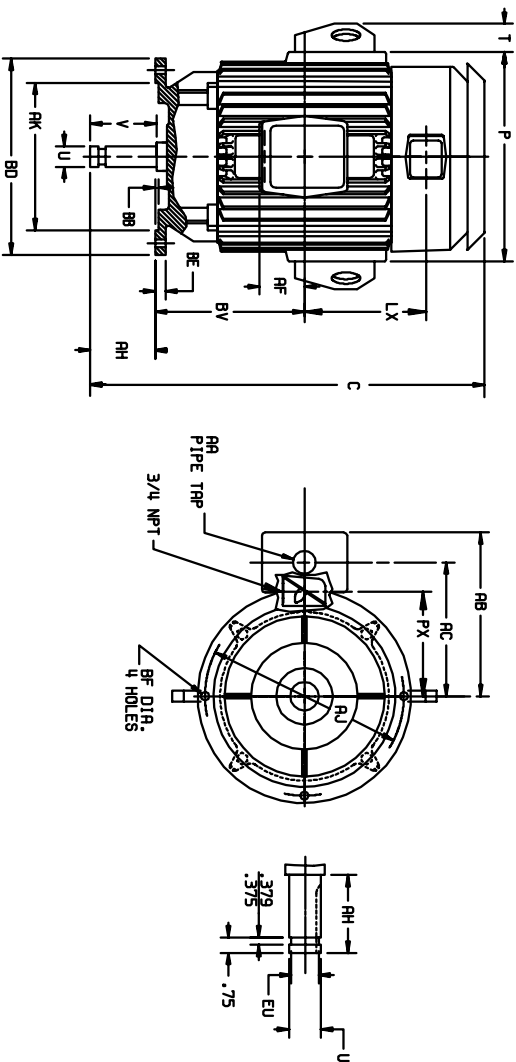
SQUIREL-CAGE INDUCTION
CAST IRON CONSTRUCTION

ENCLOSURE: TOTALLY ENCLOSED

MOUNTING: NEMA VP API THRUST DESIGN - SOLID SHAFT

COOLING: FAN COOLED

FRAMES 250VP THRU 440VP



DIMENSIONS ARE IN INCHES; SEE SHEET 2 FOR DIMENSIONS IN MILLIMETERS

FRAME	P	T	CAST IRON TERMINAL BOX				BH	BD	BE	BF	AJ	AK	(4)	RECOM. BOLT	LX	PX
			AA	AB	AC	AF										
254VP-258VP	14.00	2.25	1-1/4	10.81	8.81	2.50	.19	10.00	.62	.44	9.12	8.250	3/8 X 1.50	6.31	10.50	
284VP-286VP	15.50	2.25	1-1/2	12.62	10.19	3.00	.19	10.00	.69	.44	9.12	8.250	3/8 X 1.50	6.88	11.00	
324VP-328VP	17.38	2.25	2	15.44	11.69	3.62	.25	16.50	.88	.69	14.75	13.500	5/8 X 2.00	8.00	12.00	
364VP-365VP	20.25	2.25	3	18.00	13.81	4.12	.25	16.50	.88	.69	14.75	13.500	5/8 X 2.00	8.38	13.00	
404VP-405VP	22.62	2.50	3	19.25	15.08	4.12	.25	16.50	.94	.69	14.75	13.500	5/8 X 2.00	9.62	14.75	
444VP-445VP	25.25	2.50	3	22.19	17.44	6.00	.25	16.50	1.06	.69	14.75	13.500	5/8 X 2.25	11.12	15.56	

(1)

FRAME SIZE	C	BV	AH(6)	SHAFT AND KEY				WEIGHT LBS. (3)	
				V	U(2)	EU(5)	SQ.		LGTH.
254VP	28.10	9.44	2.750	2.75	1.1250	.875	.250	1.25	330
258VP	28.10	9.44	2.750	2.75	1.1250	.875	.250	1.25	340
284VP	30.66	10.44	2.750	2.75	1.1250	.875	.250	1.25	480
286VP	30.66	10.44	2.750	2.75	1.1250	.875	.250	1.25	475
324VP	34.60	11.75	4.500	4.50	1.6250	1.250	.375	3.00	610
328VP	34.60	11.75	4.500	4.50	1.6250	1.250	.375	3.00	650
364VP	37.25	12.75	4.500	4.50	1.6250	1.250	.375	3.00	880
365VP	37.25	12.75	4.500	4.50	1.6250	1.250	.375	3.00	980
404VP	41.75	14.62	4.500	4.50	1.6250	1.250	.375	3.00	1310
405VP	41.75	14.62	4.500	4.50	1.6250	1.250	.375	3.00	1310
444VP	47.57	17.50	4.500	4.50	2.125	1.750	.500	3.00	1890
445VP	47.57	17.50	4.500	4.50	2.125	1.750	.500	3.00	1890

(1)

- (1) SPECIAL DIMENSIONS APPLYING TO THIS ORDER ON THIS LINE. IF MOUNTING CLEARANCE DETAILS ARE REQUIRED, CONSULT FACTORY.
- (2) "U" VARIES UP TO 2.125 DIA. +.0000, -.0005 MAXIMUM PERMISSIBLE SHAFT RUNOUT WHEN MEASURED AT END OF SHAFT EXTENSION IS .001 MAX. T.I.R.
- (3) MOTOR WEIGHTS MAY VARY BY 1% DEPENDING UPON RATING. FACE RUNOUT AND 250VP - 440VP .004 MAX. T.I.R.
- (4) "AK" VARIES 250VP - 280VP +.003, -.000 ECCENTRICITY
- (5) "EU" VARIES +.000, -.005
- (6) "AH" VARIES +.030, -.030
- (7) AUXILIARY CONDUIT BOX SUPPLIED ONLY WHEN SPECIFIED.

CUSTOMER IS RESPONSIBLE FOR DETERMINING THAT BALDOR'S PRODUCT WILL PERFORM SUITABLY IN THE INTENDED APPLICATION.

REV. DESC: REMOVED "AG" AND ADD "C" DIMENSION	VERSION: 03	TDR: 000000821455
REV. LTR: C	REVISED: 03:31:17 10/08/2013	BY: RAGJSS1
FILE: \RAG\00008\703		
MTL: -		

BALDOR

DIM SHT 250-440VP TEFC API THRUST DESIGN CAST IRON CBOX

SH 1 of 1

FRAME _____ TYPE _____ CERTIFIED FOR _____
 ORDER _____ ITEM _____ HP _____ RPM _____ PH _____ HZ _____ VOLTS _____
 SALES ORDER _____ APPROVED BY _____ DATE _____