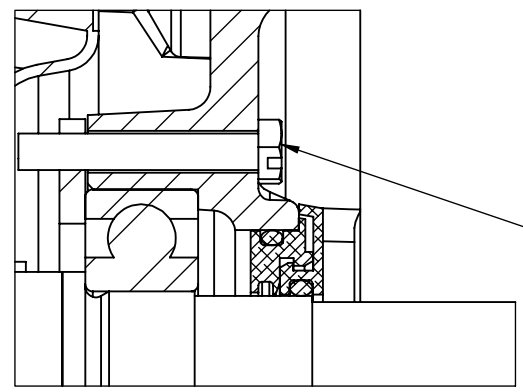
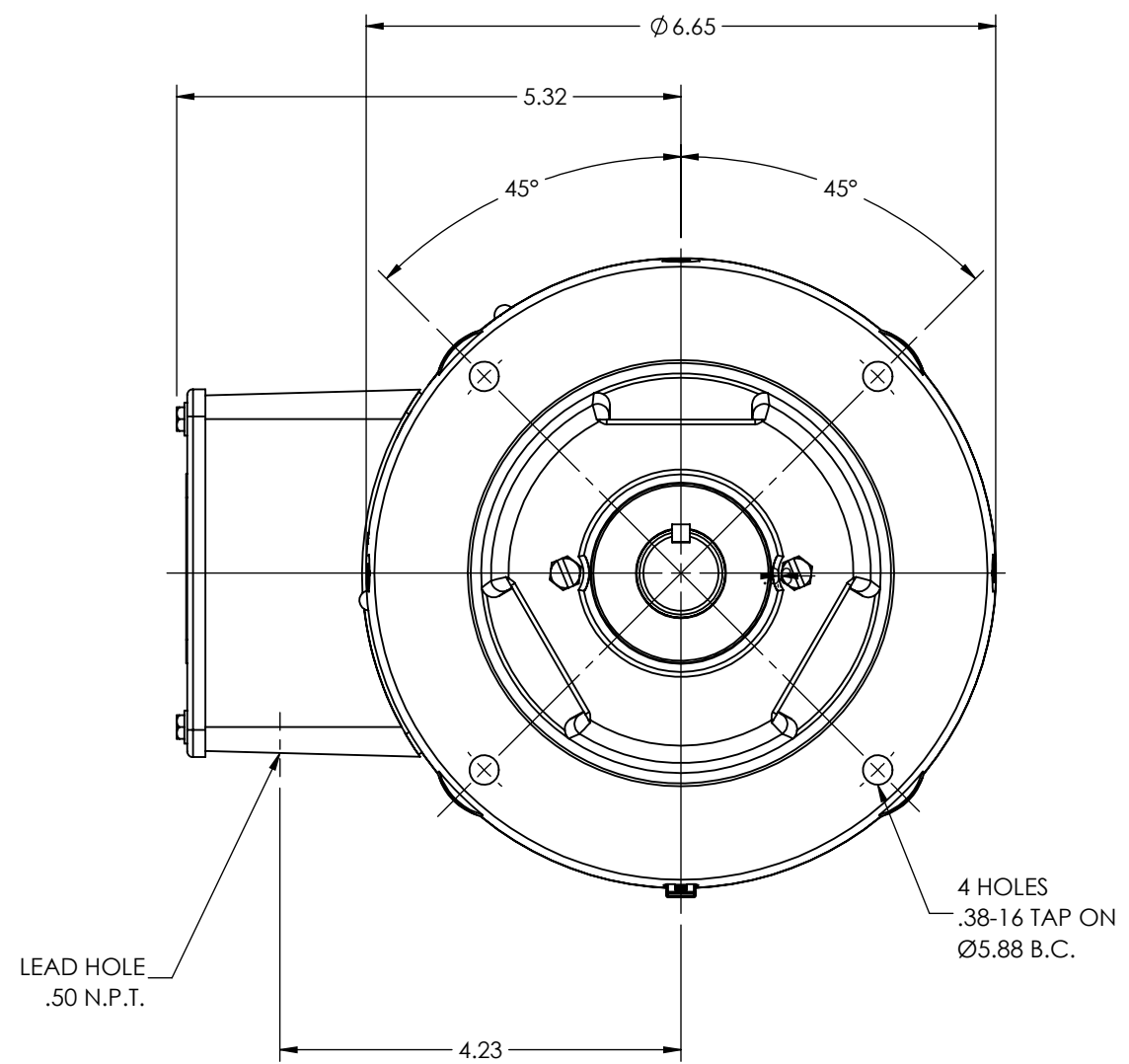
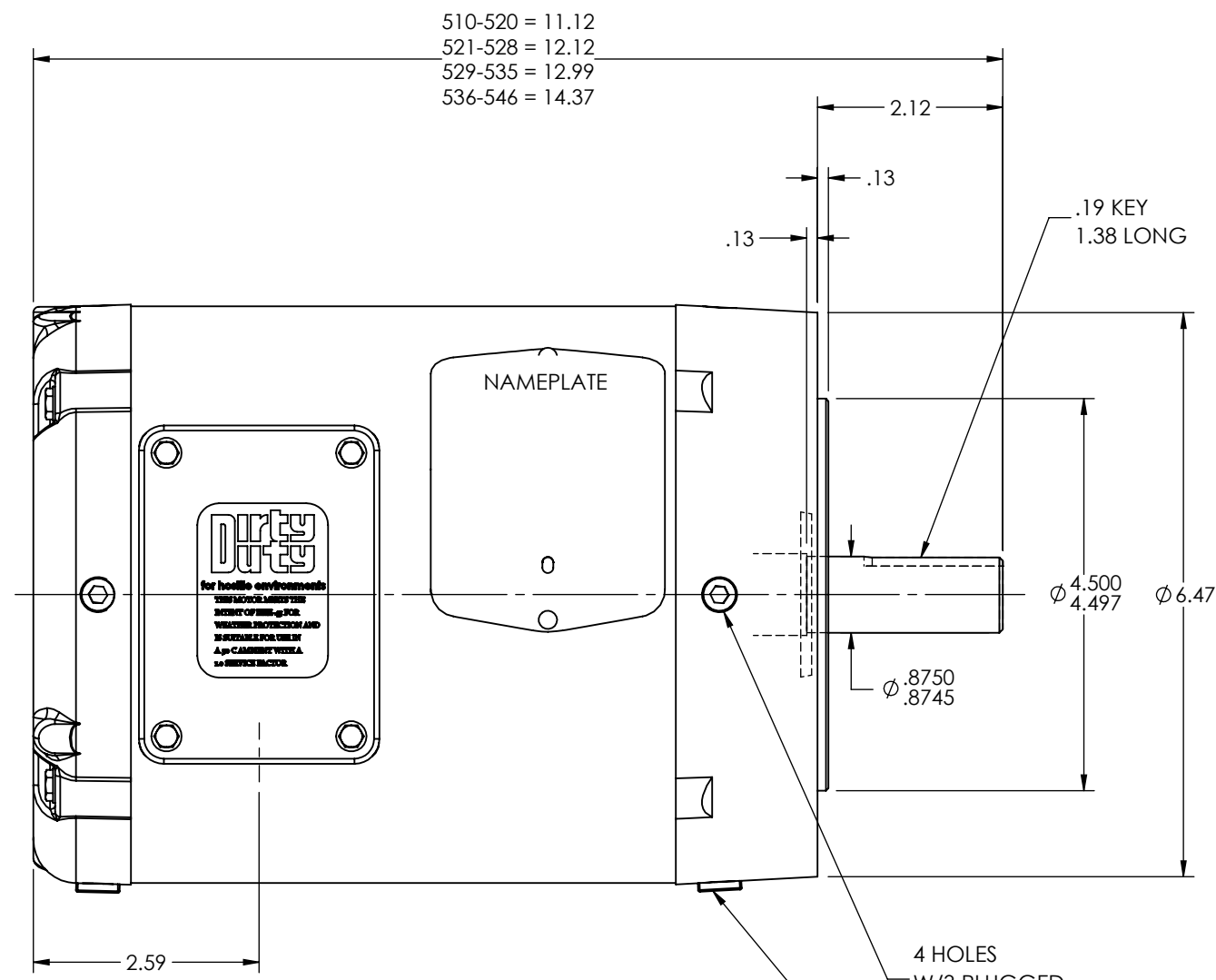


8 7 6 5 4 3 2 1

35LYE4321

D
C
B
A



APPLY COAT OF SEALER UNDER BRG RET SCREW HEADS

PULLEY END DETAIL

CUSTOMER IS RESPONSIBLE FOR DETERMINING THAT THE PRODUCT WILL PERFORM SUITABLY IN THE INTENDED APPLICATION

REV. DESC: LOADING OF SWD DWG FOR 2D TO 3D CONVERSION PKG 16			
REV: A	VERSION: 01	REVISED: 01:30:03 02/01/2019	TDR: 000001098202
MODEL NO. 35LYE4321			REF: -
BY: ENALEM0			B

BALDOR - RELIANCE®

STD VERT 143-5TC TENV 35M DDP
SH 1 of 1

35LYE4321

8 7 6 5 4 3 2 1