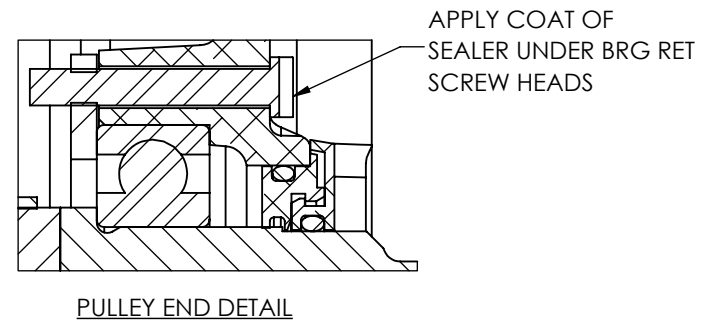
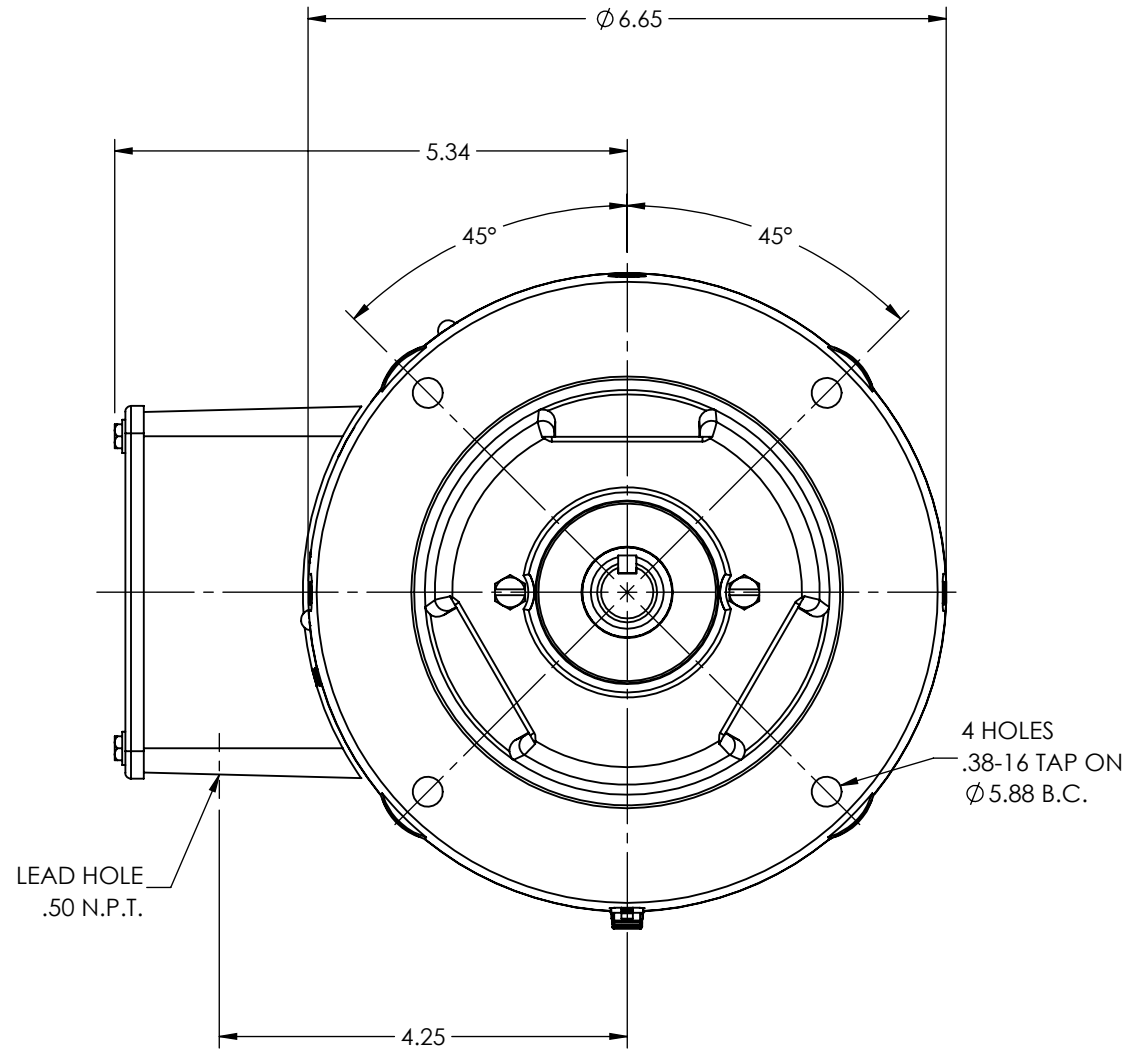
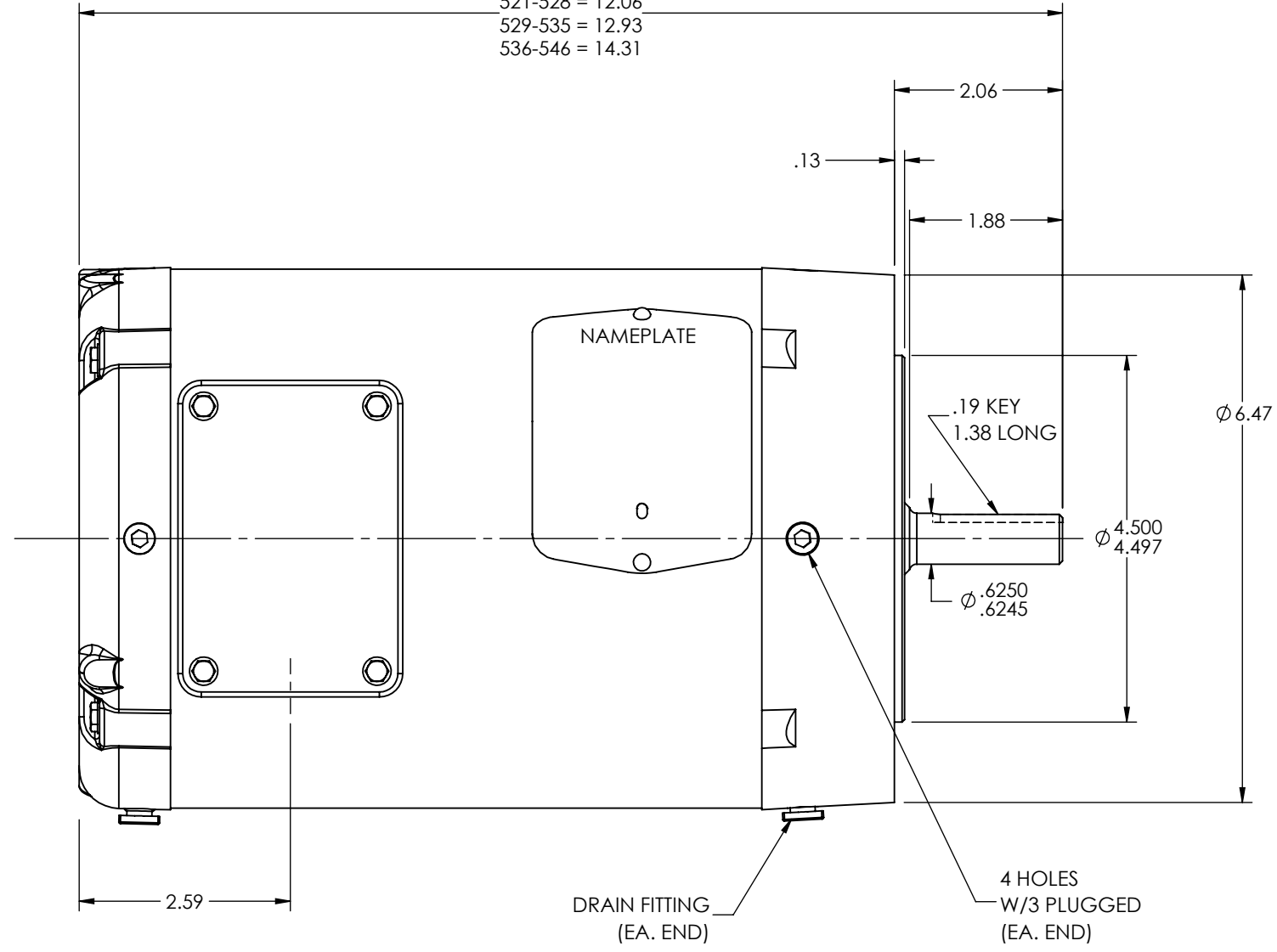


8 7 6 5 4 3 2 1

35LYE4329

510-520 = 11.06  
 521-528 = 12.06  
 529-535 = 12.93  
 536-546 = 14.31



CUSTOMER IS RESPONSIBLE FOR DETERMINING THAT THE PRODUCT WILL PERFORM SUITABLY IN THE INTENDED APPLICATION

REV. DESC: LOADING OF SWD DWG FOR 2D TO 3D CONVERSION - PKG15			
REV: A	VERSION: 01	REVISED: 10:23:46 01/22/2019	TDR: 000001096905
MODEL NO. 35LYE4329		REF: -	
BY: ENSTEK0			<b>B</b>

**BALDOR - RELIANCE®**

STD VERT 56C TENV 35M DDP  
 SH 1 of 1

35LYE4329

8 7 6 5 4 3 2 1