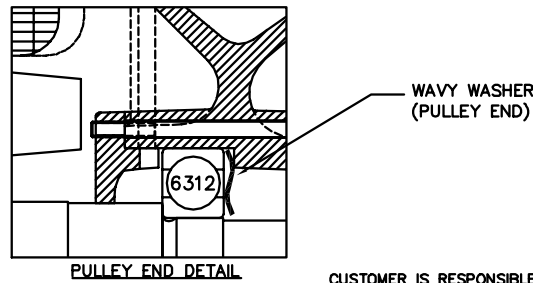
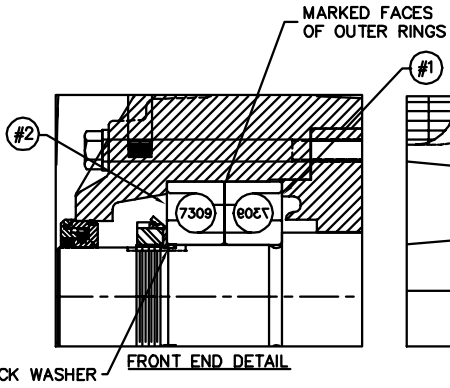
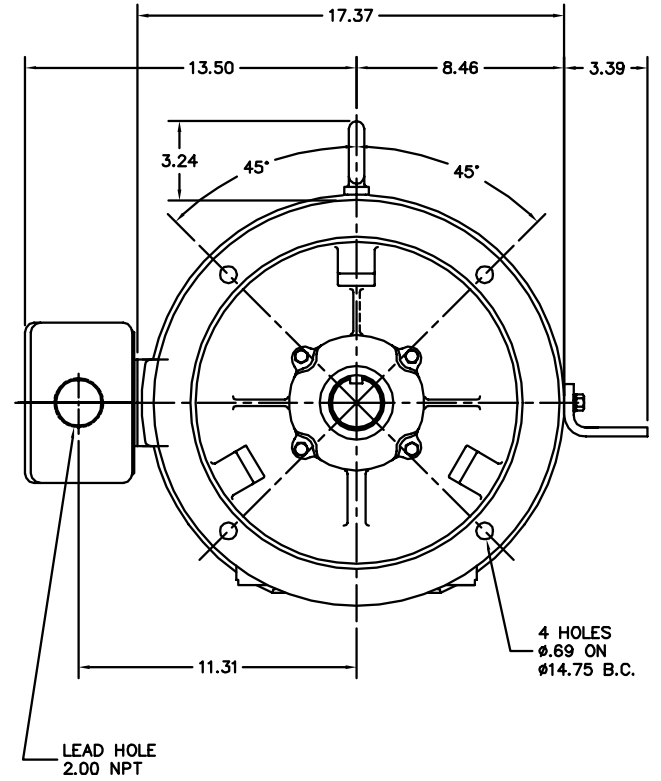
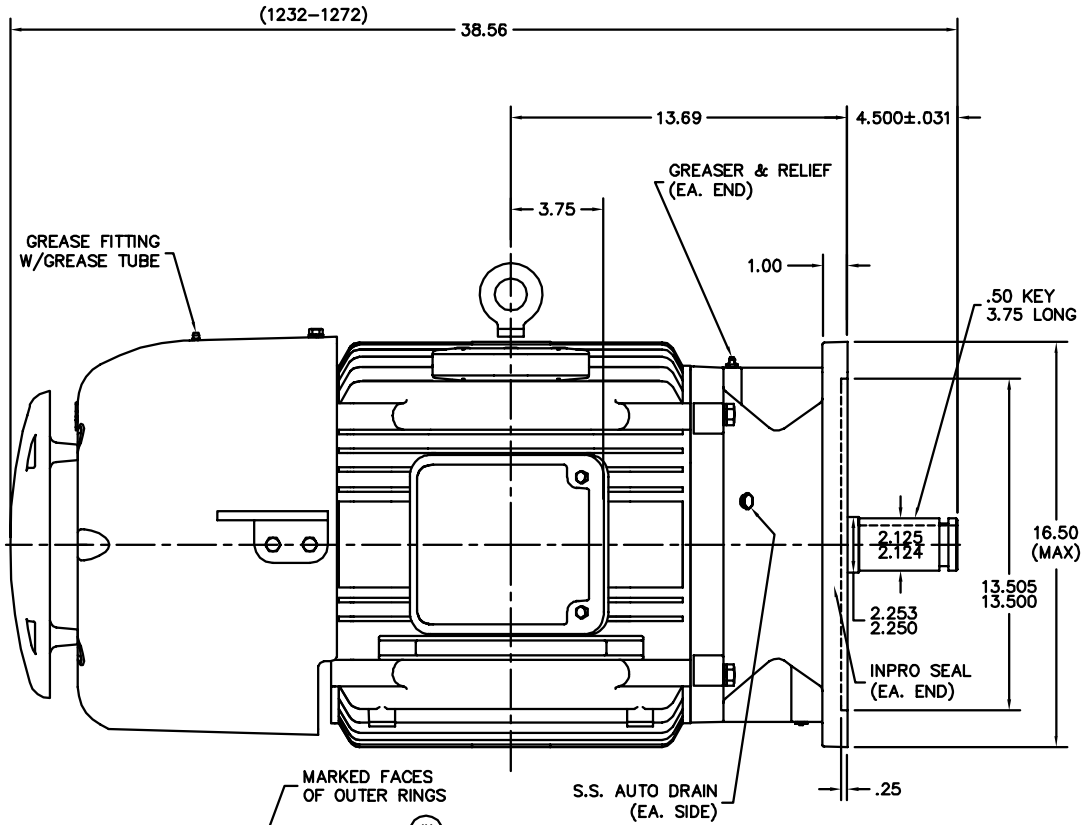


12LYH444



CUSTOMER IS RESPONSIBLE FOR DETERMINING THAT BALDOR'S PRODUCT WILL PERFORM SUITABLY IN THE INTENDED APPLICATION.

REV. DESC: REMOVE FACE DRAIN FROM PUEP		
REV. LTR: A	VERSION: 01	TDR: 00000930170
FILE: \AAA\00212\960	REVISED: 01:15:35 07/15/2015	BY: ENCARCO
MTL: -		

**BALDOR**

VERT TEFC 324-6LP 841 DRIP CVR, VERT LIFT

SH 1 of 1

12LYH444