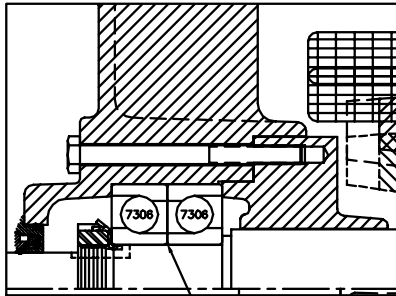
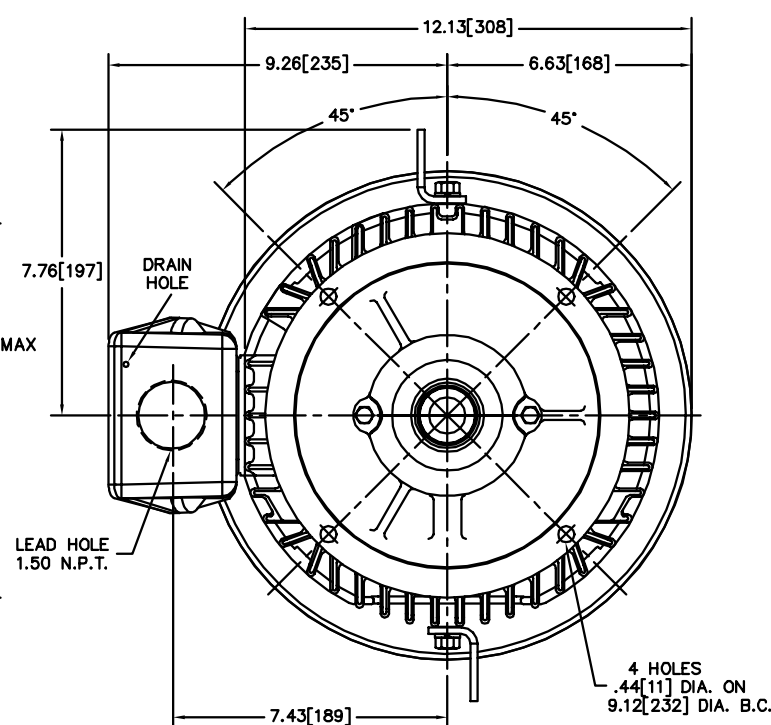
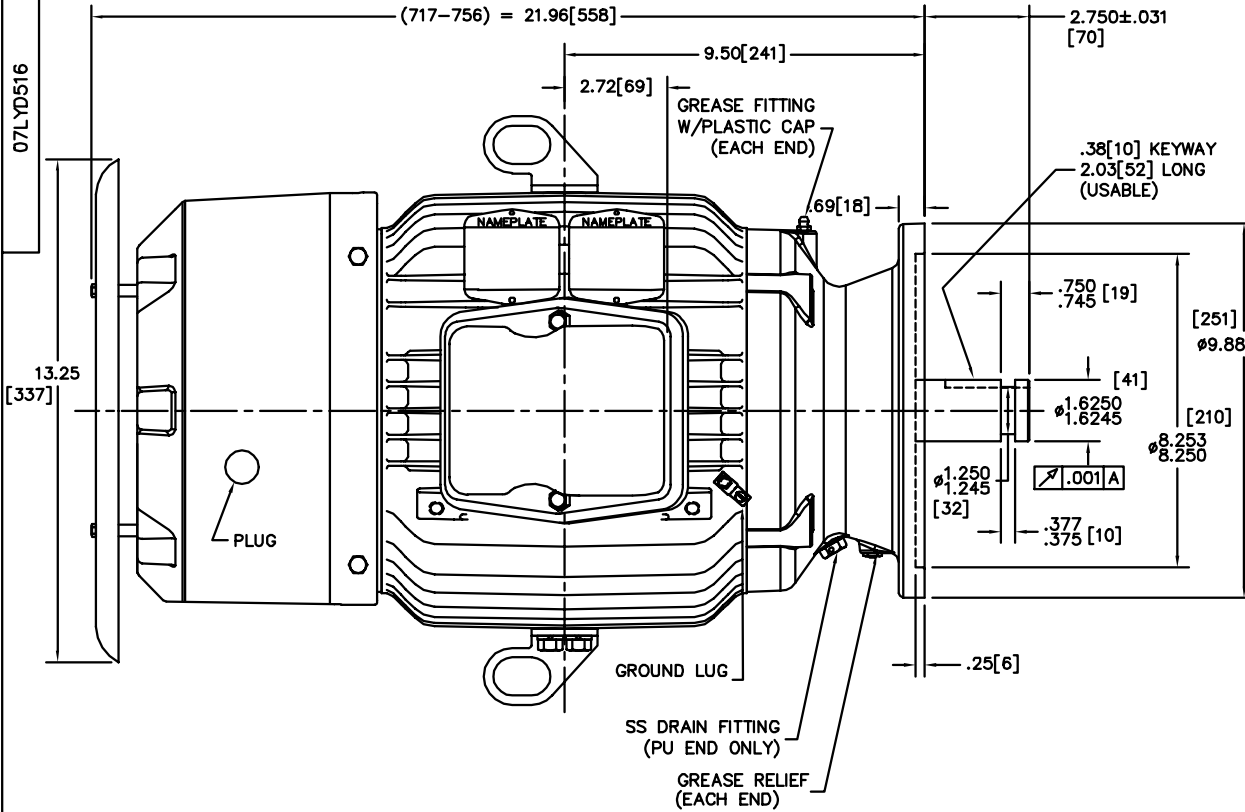
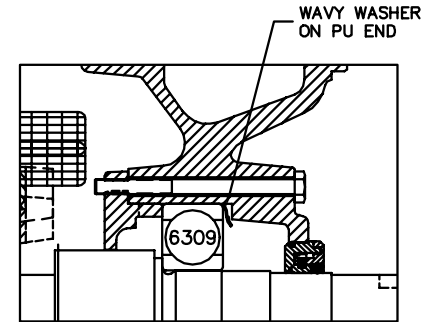


07LYD516



SMALL SIDE OF INTER RACE SHOULD BE TOUCHING EACH OTHER.



CUSTOMER IS RESPONSIBLE FOR DETERMINING THAT BALDOR'S PRODUCT WILL PERFORM SUITABLY IN THE INTENDED APPLICATION.

REV. DESC: NEW	VERSION: 00	TDR: 000001100671
REV. LTR: -	REVISED: 09:54:34 03/24/2019	BY: USTRYAY
FILE: \AAA\00247\796		
MTL: -		

**BALDOR - RELIANCE®**

VER 213-5LP TEFC 307M W6 CP IEEE841 7306 DUPLEX

SH 1 of 1

07LYD516