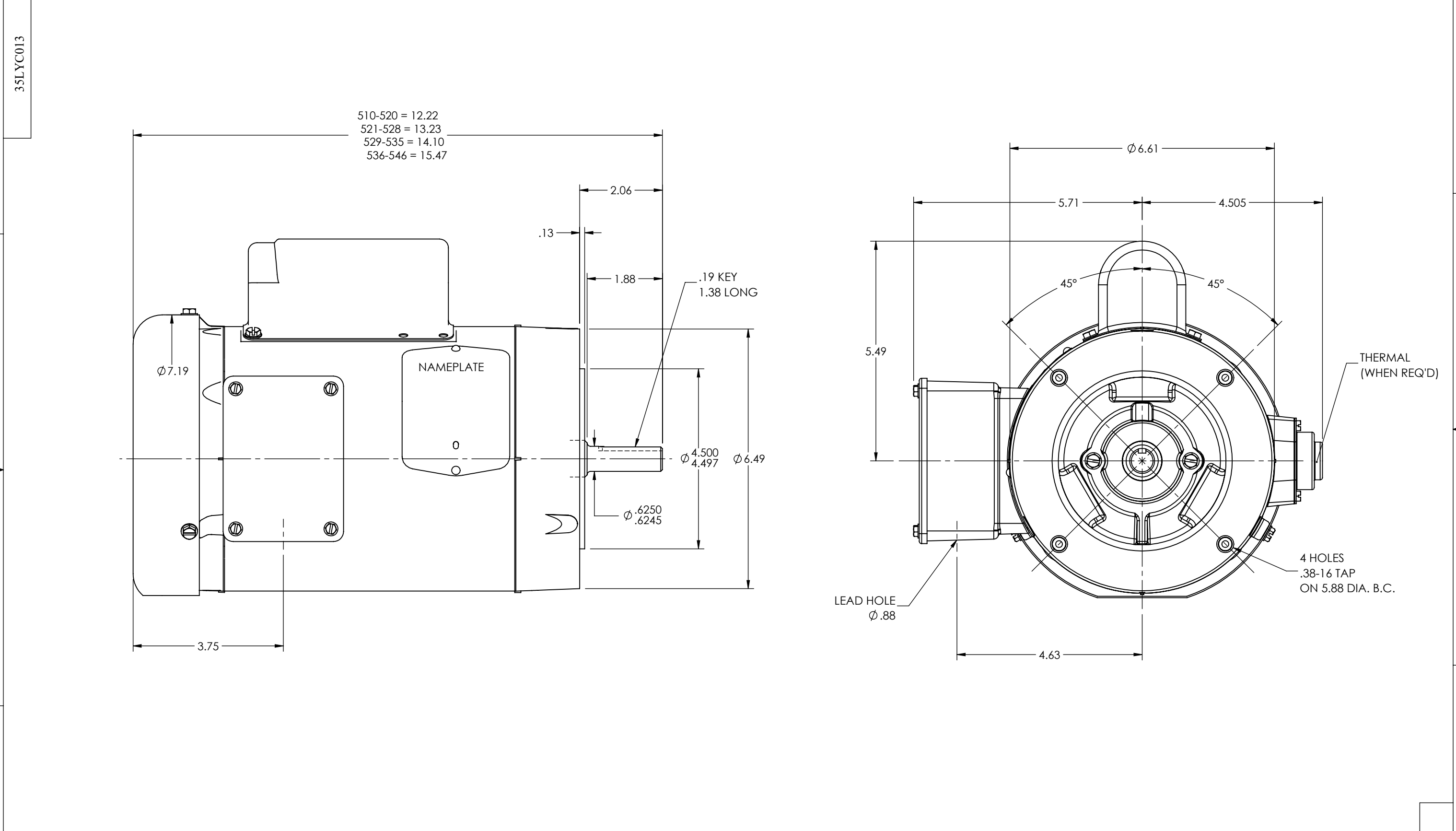


8 7 6 5 4 3 2 1



CUSTOMER IS RESPONSIBLE FOR DETERMINING THAT BALDOR'S PRODUCT WILL PERFORM SUITABLY IN THE INTENDED APPLICATION.

REV. DESC: SHOW OPTIONAL THERMAL			
REV: M	VERSION: 05	REVISED: 12:10:42 03/20/2019	TDR: 000001102974
MODEL NO: 35LYC013			REF: -
BY: USTRAY1	Material: -	B	

BALDOR - RELIANCE®

STD VERT 56C TEFC 35L
SH 1 of 1

35LYC013

8 7 6 5 4 3 2 1