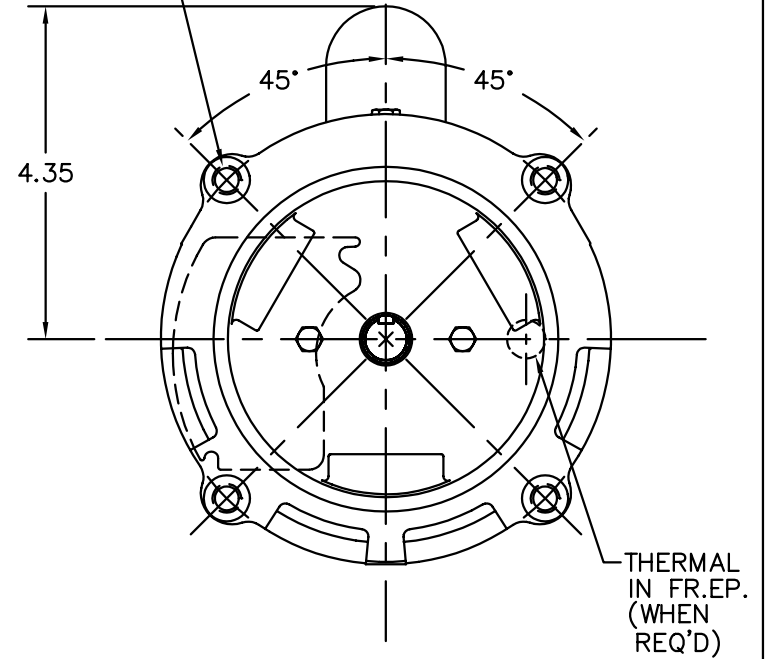


4 HOLES
 .38-16 TAP
 .56 DEEP ON
 5.88 DIA. B.C.



CUST. NAME	CUST. P.O.	CERTIFIED BY	MODEL	INSUL	AMB
------------	------------	--------------	-------	-------	-----

H.P.	MTG	TYPE	R.P.M.	VOLTS	ENCL	PHASE	FREQ	FRAME
------	-----	------	--------	-------	------	-------	------	-------

REMARKS:

REV:	-	NEW
------	---	-----

BALDOR ELECTRIC Co.

34F493	RER: 34F009	BY: DM	REVISED: 12/29/97
	FILE: AAA00049996	TDR: 0139579	

VERT 34L NEMA 56C OPEN W/DRIP COVER, TERM PLATE & ATO IN FREQ