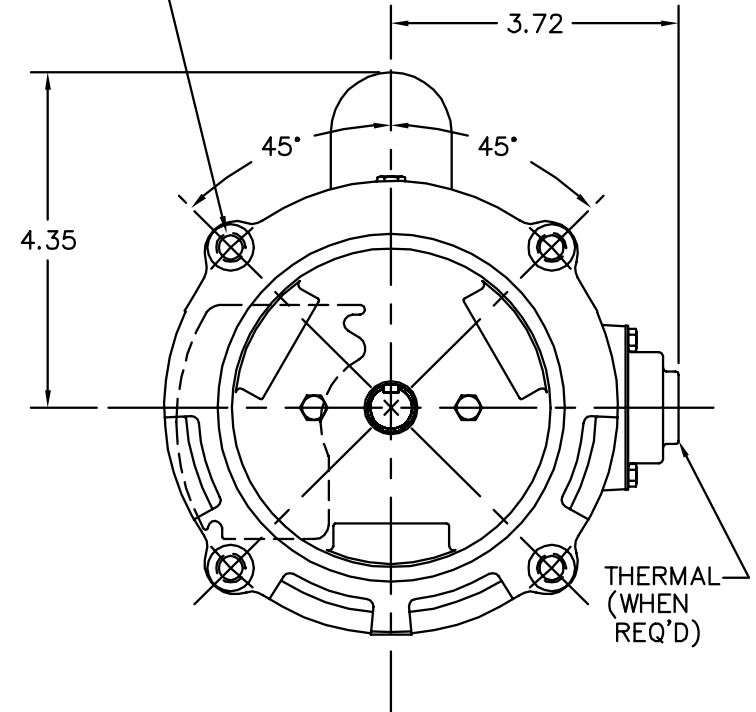


4 HOLES
 .38-16 TAP
 .56 DEEP ON
 5.88 DIA. B.C.



CUSTOMER IS RESPONSIBLE FOR DETERMINING THAT MOTOR PERFORMANCE IS SUITABLE IN THE APPLICATION.

REV. DESC: REACTIVATE			
REV. LTR: J	BY: BF	REVISED: 14: 40: 54 02/18/2004	TDR: 325013
34LYF037		FILE: AAA00026303	REF: 34LYF037
		MTL: -	

BALDOR ELECTRIC Co.

STD VERT MODEL 34L NEMA 56C OPEN W/DRIP COVER & TERM PLATE