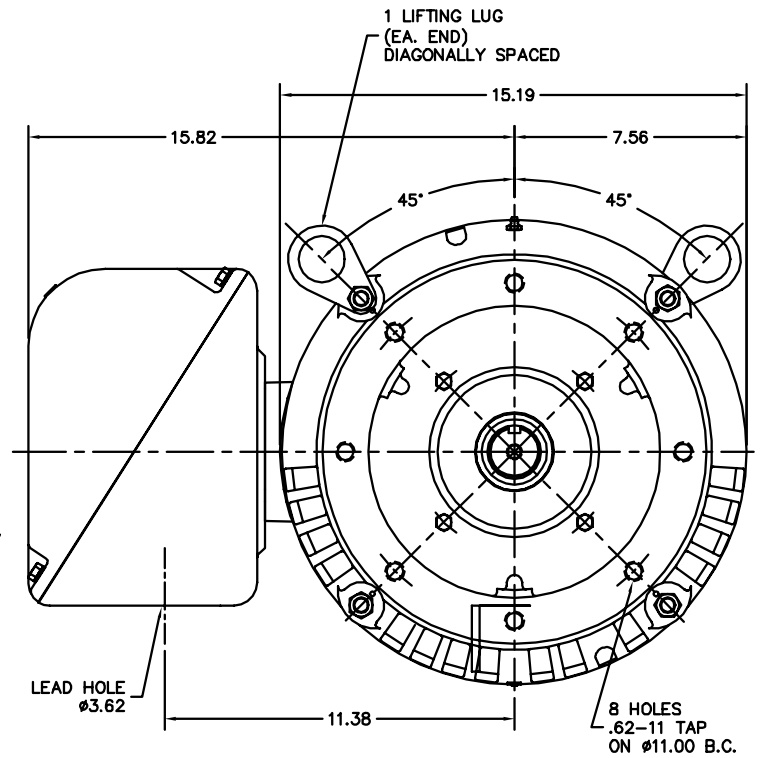
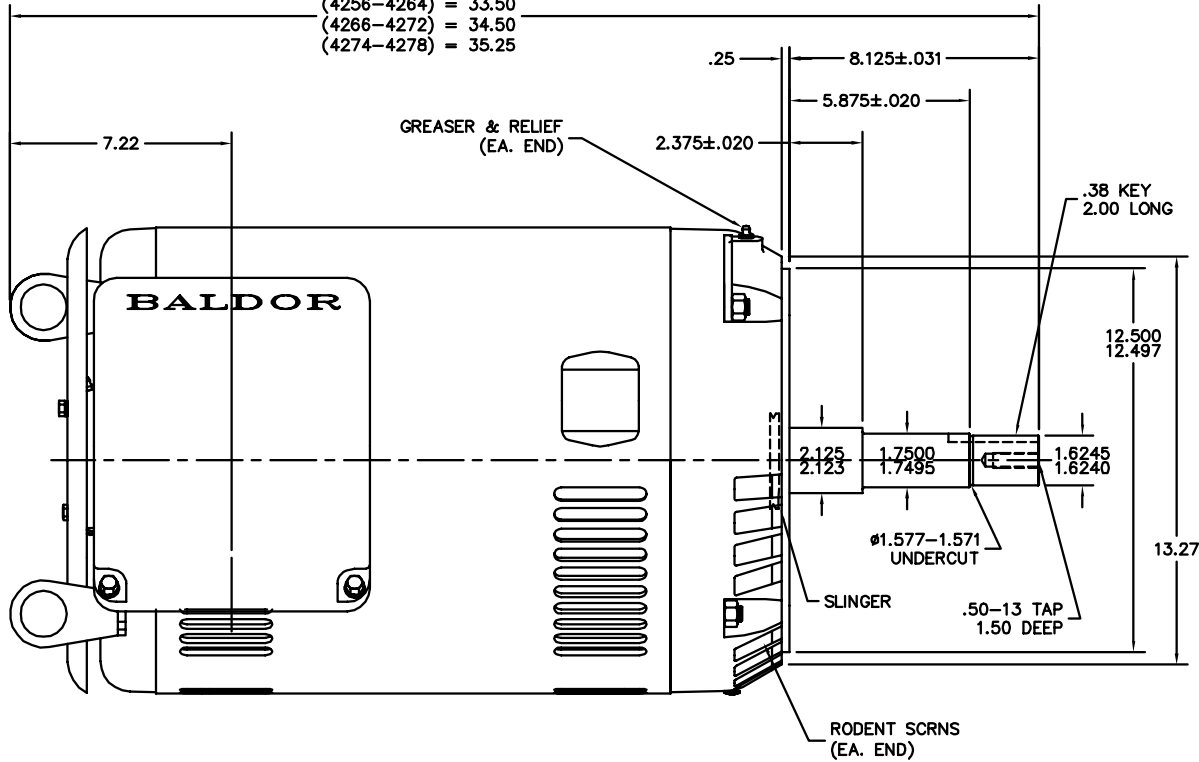


(4232-4254) = 32.50
 (4256-4264) = 33.50
 (4266-4272) = 34.50
 (4274-4278) = 35.25



CUSTOMER IS RESPONSIBLE FOR DETERMINING THAT BALDOR'S PRODUCT WILL PERFORM SUITABLY IN THE INTENDED APPLICATION.

REV. DESC: NEW	VERSION: 00	TDR: 000001019061
REV. LTR: -	REVISED: 10: 29: 44 03/20/2017	BY: ENBRISO
FILE: \AAA\00233\771		
MTL: -		

BALDOR

VER OPSB 364-5JP W/DRIP,LIFT,ROD.SCRNS,OVERSIZE BOX & 3.62 LD

SH 1 of 1