

DUTY MASTER ALTERNATING CURRENT MOTORS

SQUIRREL-CAGE INDUCTION
CAST IRON CONSTRUCTION

ENCLOSURE: TOTALLY ENCLOSED
MOUNTING: NEMA HP & HPH NORMAL THRUST - SOLID SHAFT

FRAMES 364HP-365HP

COOLING: FAN COOLED

D

D

C

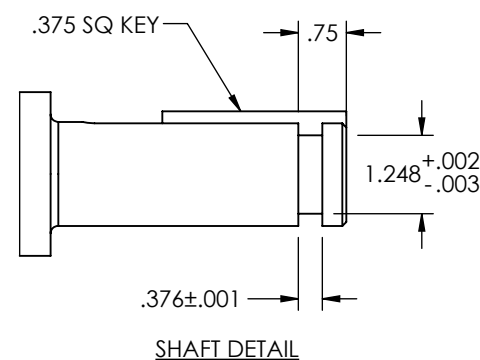
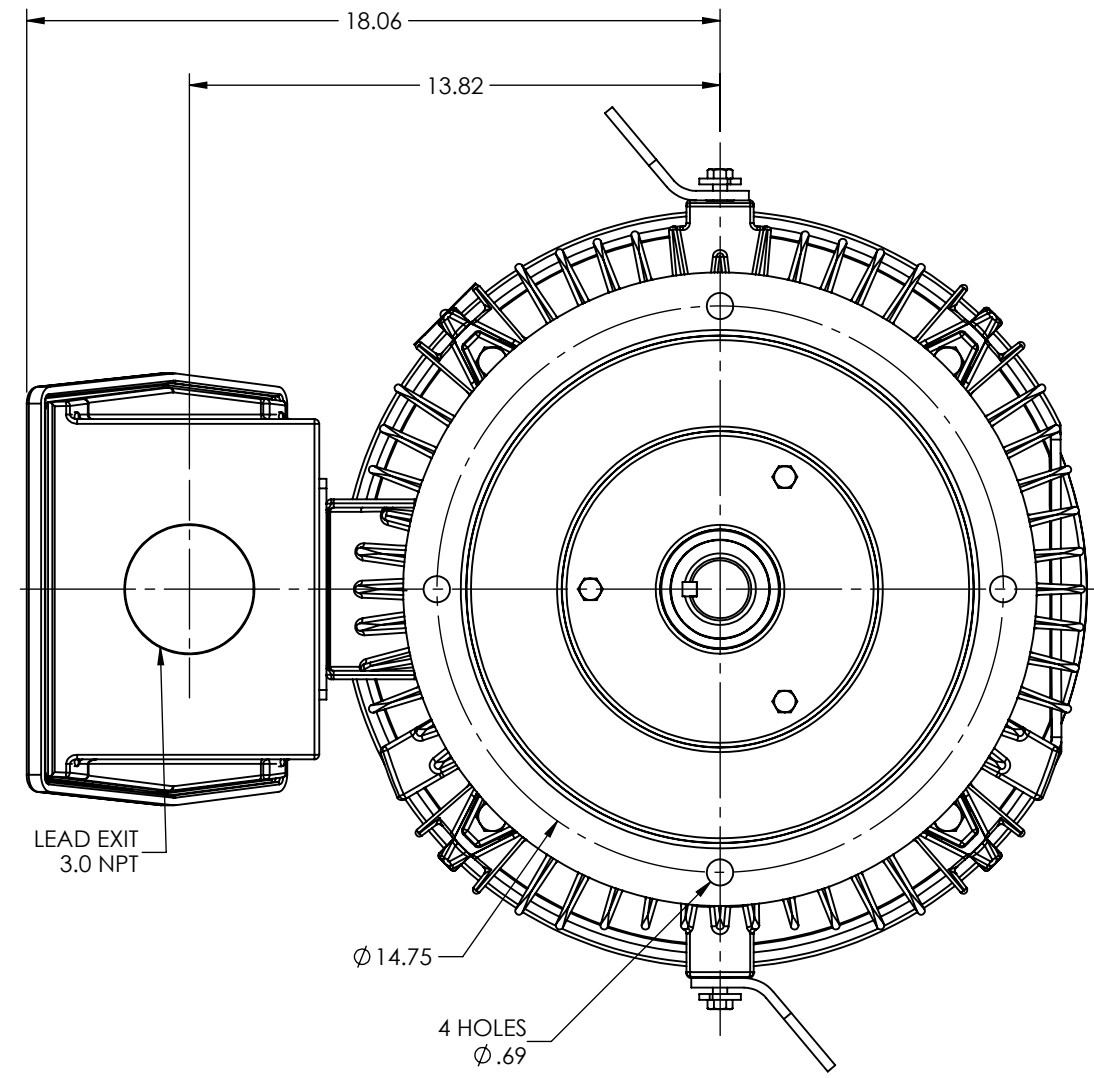
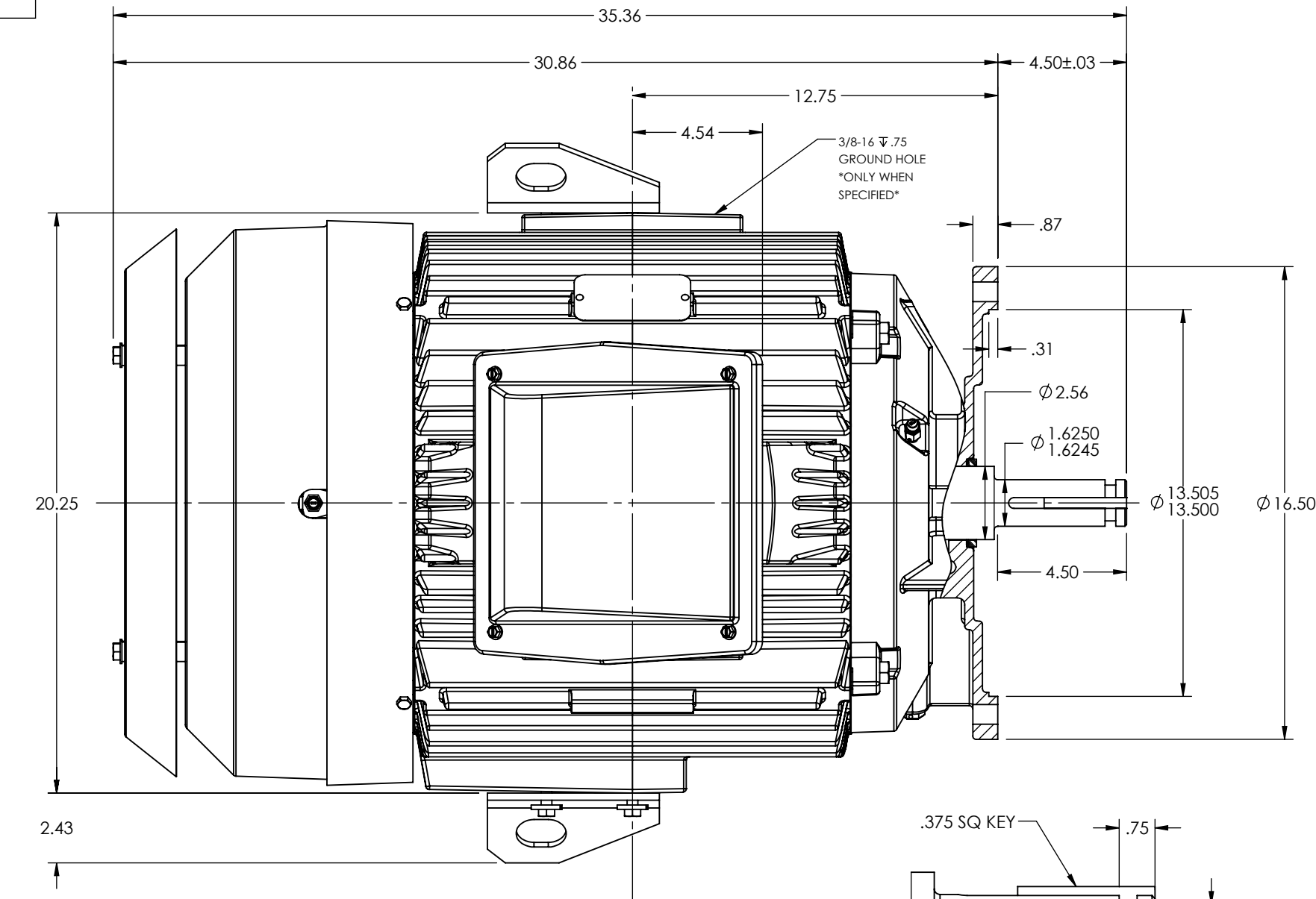
C

B

B

A

A



MAXIMUM PERMISSIBLE SHAFT RUNOUT WHEN MEASURED AT END OF SHAFT EXTENSION IS .001 MAX T.I.R.
FACE RUNOUT AND 250HP-440HP .004 MAX T.I.R. ECCENTRICITY
WEIGHT (LBS): 364HP = 860
365HP = 980
MOTOR WEIGHTS MAY VARY BY 15% DEPENDING UPON RATING.

CUSTOMER IS RESPONSIBLE FOR DETERMINING THAT BALDOR'S PRODUCT WILL PERFORM SUITABLY IN THE INTENDED APPLICATION

REV. DESC: UPDATE AK AND EU DIMENSION			
REV: C	VERSION: 03	REVISED: 11:39:11 12/19/2016	TDR: 000001009053
MODEL NO. 617428-035			REF:
BY: RAGJSS1			B

BALDOR

DIM SHT 364-365HP TEFC HPH MED THRUST W/CBOX XT (611740-740)

617428-035

617428-035

8 7 6 5 4 3 2 1

8 7 6 5 4 3 2 1