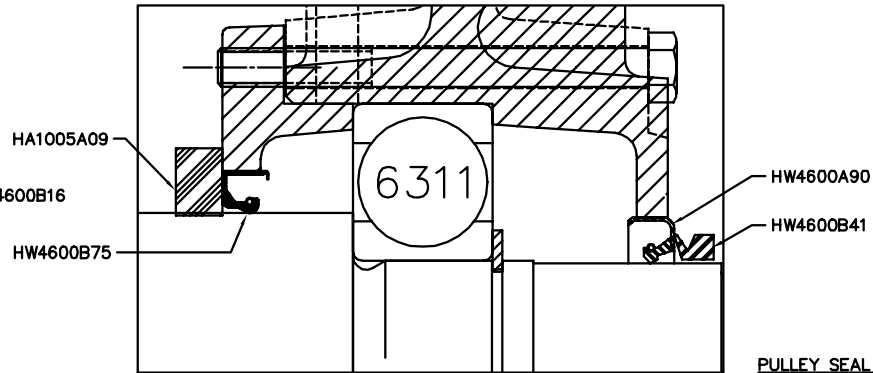


FRONT SEAL DETAIL



PULLEY SEAL DETAIL

CUSTOMER IS RESPONSIBLE FOR DETERMINING THAT BALDOR'S PRODUCT WILL PERFORM SUITABLY IN THE INTENDED APPLICATION.

REV. DESC: CORRECT TYPO OF HA1005A26 WAS SHOWN AS HW1005A26		
REV. LTR: F	VERSION: 05	TDR: 00001041463
FILE: \AAA\00092\385	REVISED: 09:28:52 08/29/2017	BY: USODDIL
MTL: -		

BALDOR

VERT TEFC 284-6HP CP W/6311 BRG

SH 1 of 1